

## ARCT3350 ADJUSTABEL ROLLER CATCH

### Features

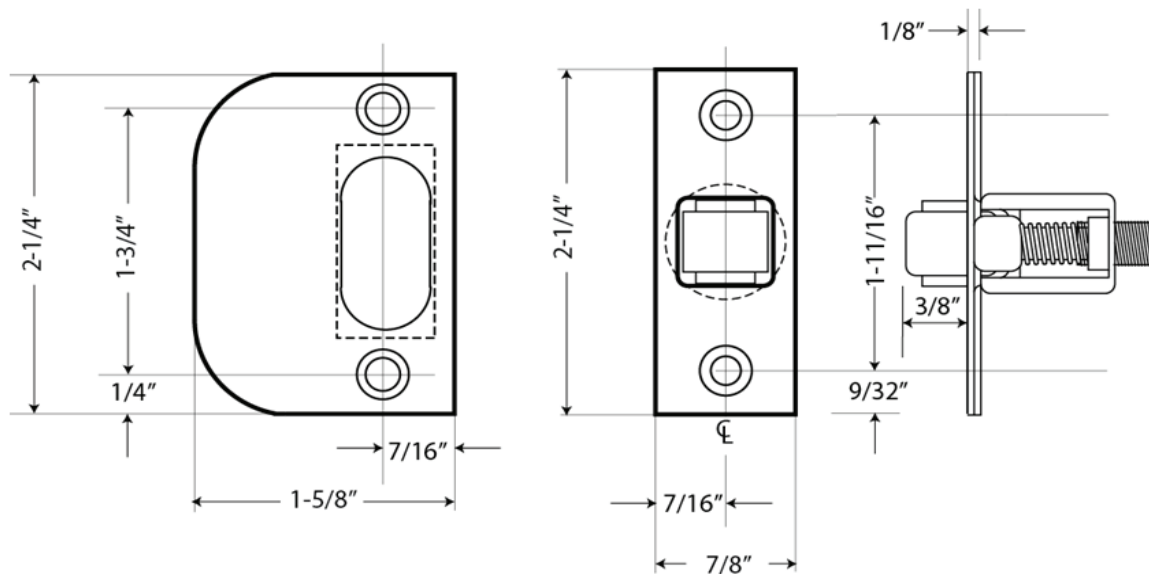
- Soft latching action
- Speed nylon roller for maximum performance
- Adjustable tension, 4–17 lbs of holding power
- Installs easily on thin doors
- Includes brass full lip strike

### Finishes

- US3 - Bright Brass
- US10B - Antique Bronze, Oiled
- US15 - Satin Nickel
- US26 - Bright Chrome
- US26D - Satin Chrome
- US19 - Flat Black Coated

### Code Compliance

- Conforms to ANSI/BHMA A156.16



### CAL-ROYAL PRODUCTS, INC.

6605 Flotilla St., City of Commerce, CA 90040 U.S.A.

Phone: (323) 888-6601 • (800) 876-9258 • Fax: (323) 888-6699 • (800) 222-3316

Email: sales@cal-royal.com • Website: www.cal-royal.com

The illustration and technical description in this cut sheet is current as of the date in the version date on the right. Cal-Royal Product reserves the right to, and may, on occasions, make changes and/or improvements in designs and dimensions without prior notice.

(BHC-7084-16/23-1of1)

2024 VERSION NO. 01

© Cal-Royal Products, Inc. 2024