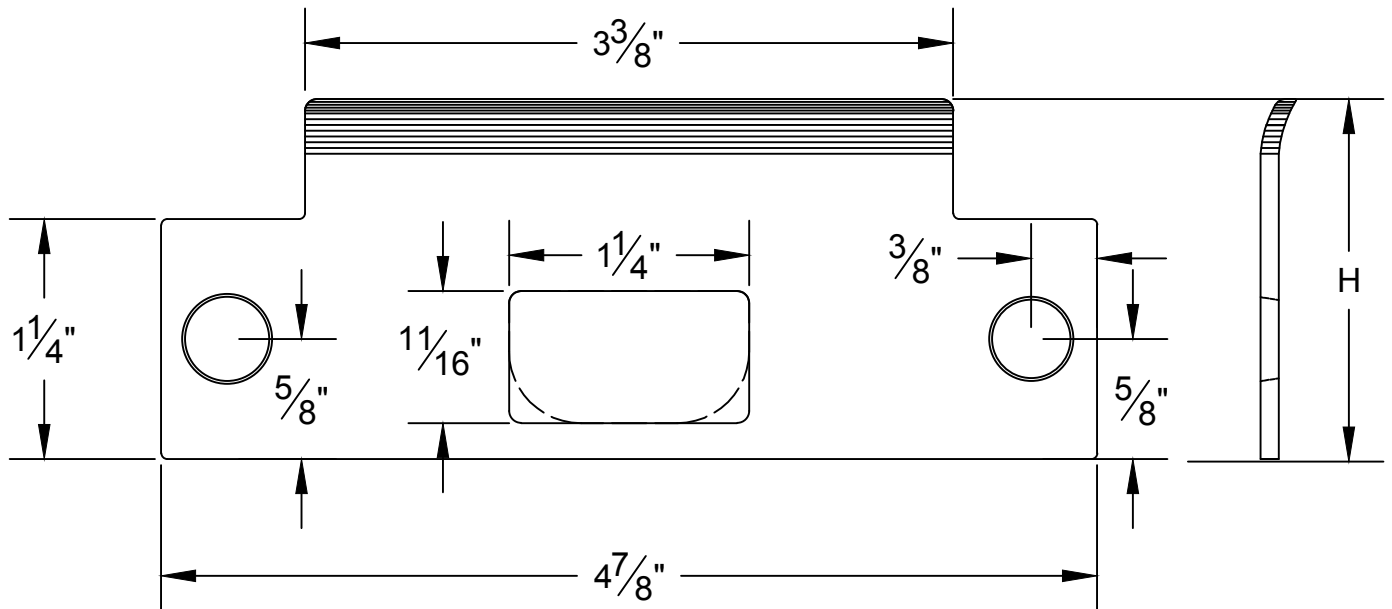
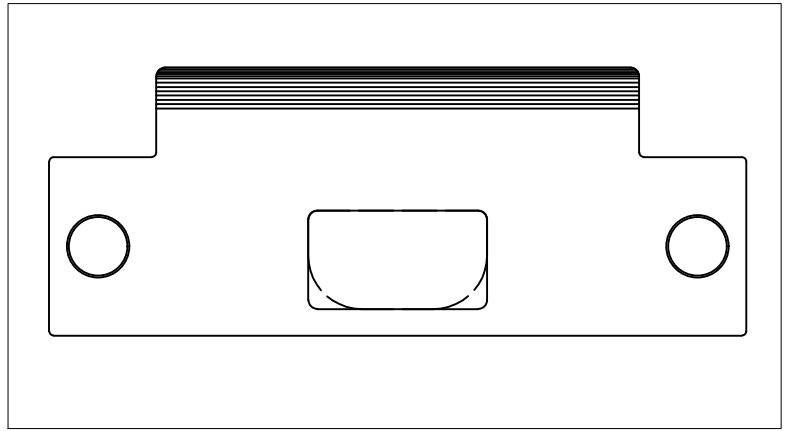


Template ASAST Strike Solid Brass

- 4-7/8" x 3-3/8" x 1-1/4"
- Individual poly-bagged
- Packed with fasteners
- Solid Brass Finish : US10B, US10, US26D, US26, US3.



Note: H (Height) - Varies, 1 7/8" to 2"



6605 Flotilla Street
City of Commerce
CA 90040 USA
Tel.# (323) 888-6601
FAX # (323) 888-6699
WEB SITE:
CAL-ROYAL.COM
Email: sales@cal-royal.com

| | | | |
|----------|-------------------------|--------------|--------------|
| ITEM NO. | DESCRIPTION : | | SCALE : |
| ASAST | ASAST STRIKE | | Not to Scale |
| UNITS : | VERSION : | Prepared By: | |
| INCHES | Ver. 1.01 Rev. 01/29/21 | ADG/CVL | |