

ASAST TEMPLATE ASA STRIKE

Features

- Size: 4 7/8" x 3 3/8" x 1 1/4"
- Individually poly-bagged
- Packed with fasteners

Applications

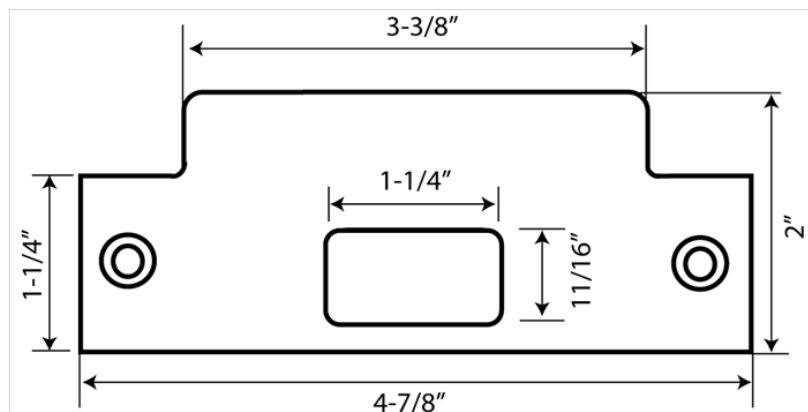
- Multi-Family Homes
- Condominiums
- Hotels / Motels
- Apartments
- Residential

Material

- Stainless Steel

Finishes

- US3 - Polished Brass
- US10 - Satin Bronze
- US10B - Oil Rubbed Bronze
- US26 - Polished Chrome
- US26D - Satin Chrome
- US1 - Black
- US4 - Satin Brass



CAL-ROYAL PRODUCTS, INC.

6605 Flotilla St., City of Commerce, CA 90040 U.S.A.

Phone: (323) 888-6601 • (800) 876-9258 • Fax: (323) 888-6699 • (800) 222-3316

Email: sales@cal-royal.com • Website: www.cal-royal.com

The illustration and technical description in this cut sheet is current as of the date in the version date on the right. Cal-Royal Product reserves the right to, and may, on occasions, make changes and/or improvements in designs and dimensions without prior notice.

2025 / 01
VERSION NO / YEAR PRINTED

© Cal-Royal Products, Inc. 2025