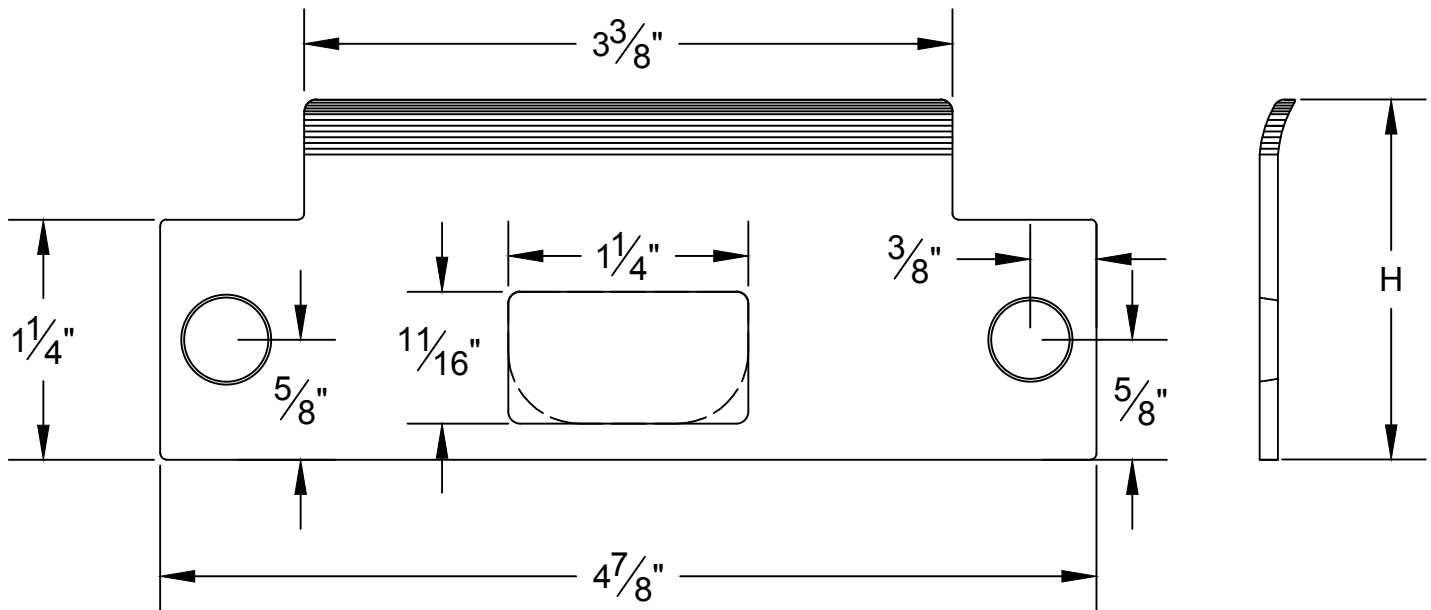
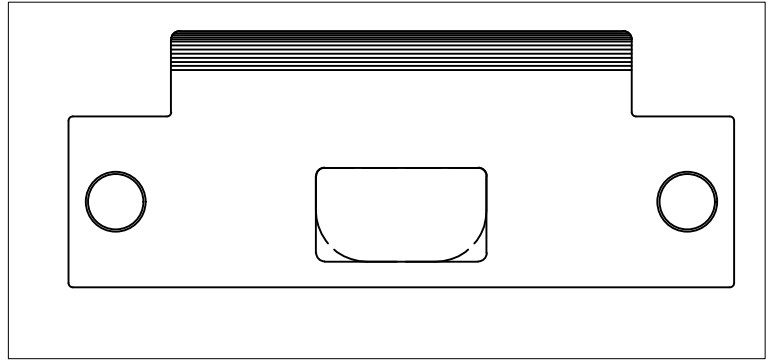


Template ASA Strike Steel/Solid Brass

- 4-7/8" x 3-3/8" x 1-1/4"
- Individual poly-bagged
- Packed with fasteners
- Stainless Steel Finish : US32D
- Solid Brass Finish : US10B, US10, US26D, US26, US3.



Note: H (Height) - Varies, 1 7/8" to 2"



6605 Flotilla Street
 City of Commerce
 CA 90040 USA
 Tel.# (323) 888-6601
 FAX # (323) 888-6699
 WEB SITE:
 CAL-ROYAL.COM
 Email: sales@cal-royal.com

ITEM NO.		DESCRIPTION :		SCALE :
ASA478		ASA STRIKE		Not to Scale
ANSI :	UNITS :	VERSION :	Prepared By:	
	INCHES	Ver. 1.01 Rev. 01/29/21	ADG/CVL	