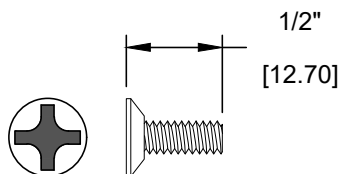
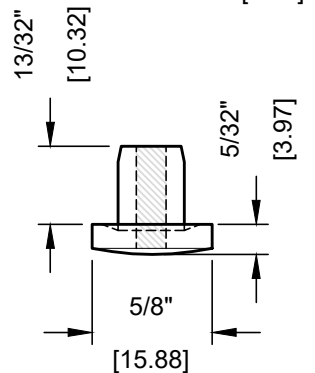


**8 - #12 X 1-1/4"
WOOD SCREW**



**8 - M5 X 1/2"
SCREW**



	BB31-316
	4-1/2" X 4-1/2" MARINE GRADE STAINLESS STEEL BALL BEARING STANDARD HINGE

ILLUSTRATION AND TECHNICAL DESCRIPTION OF THIS TEMPLATE IS FOR STANDARD INSTALLATION ONLY
COSTUME APPLICATIONS WILL BE UNDER THE INSTALLERS DISCRETION.

1 INCH
SCALE

DWG NO.
HGT-3079-08/24-1of1