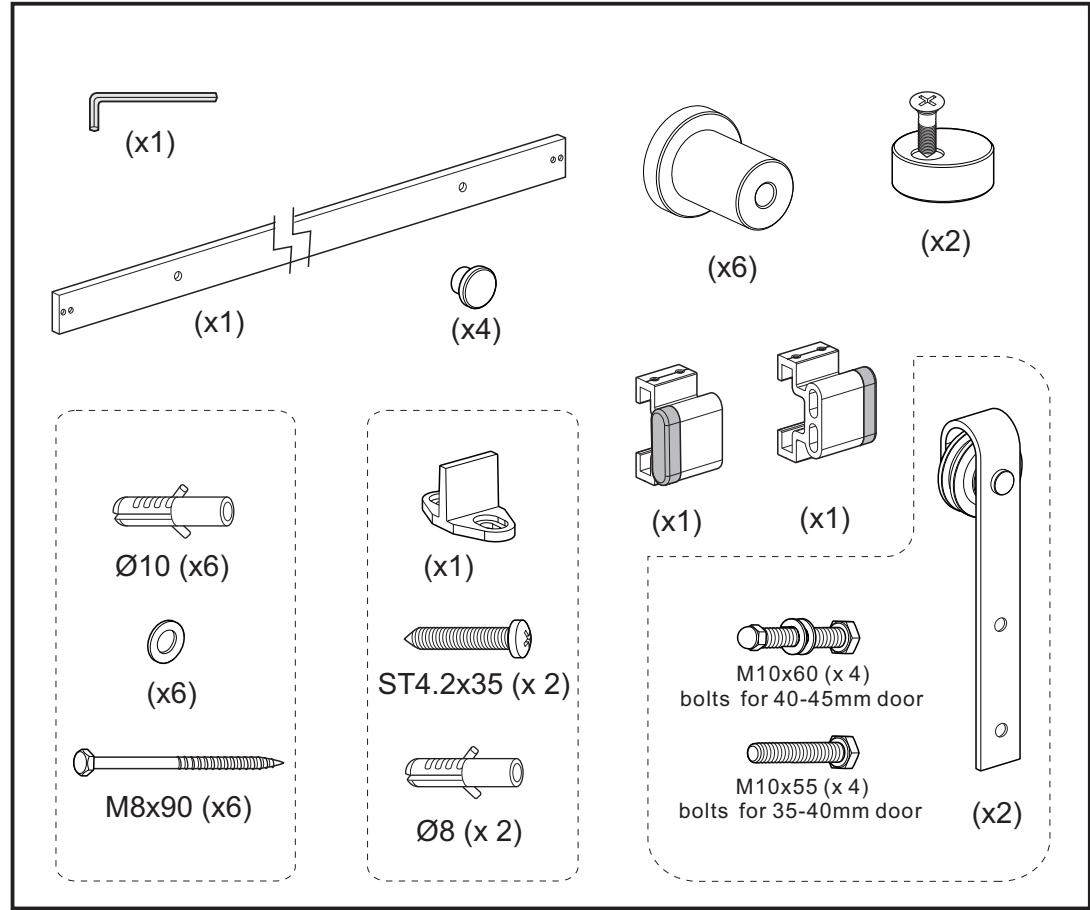
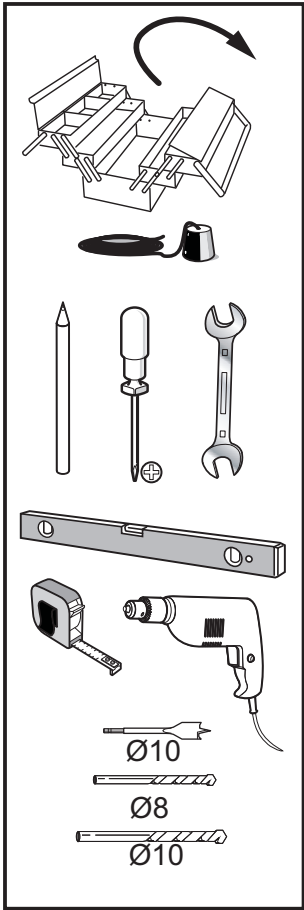
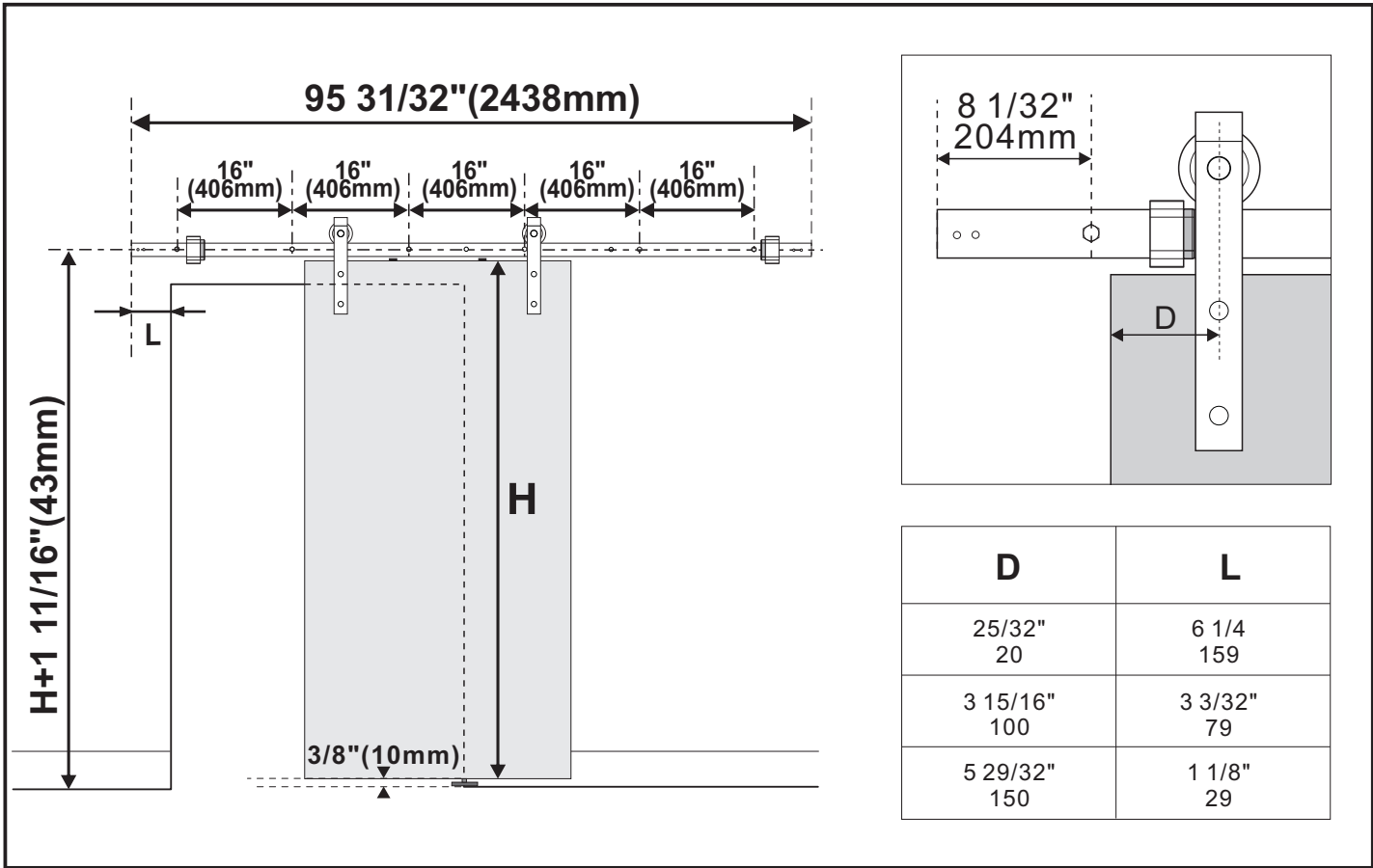
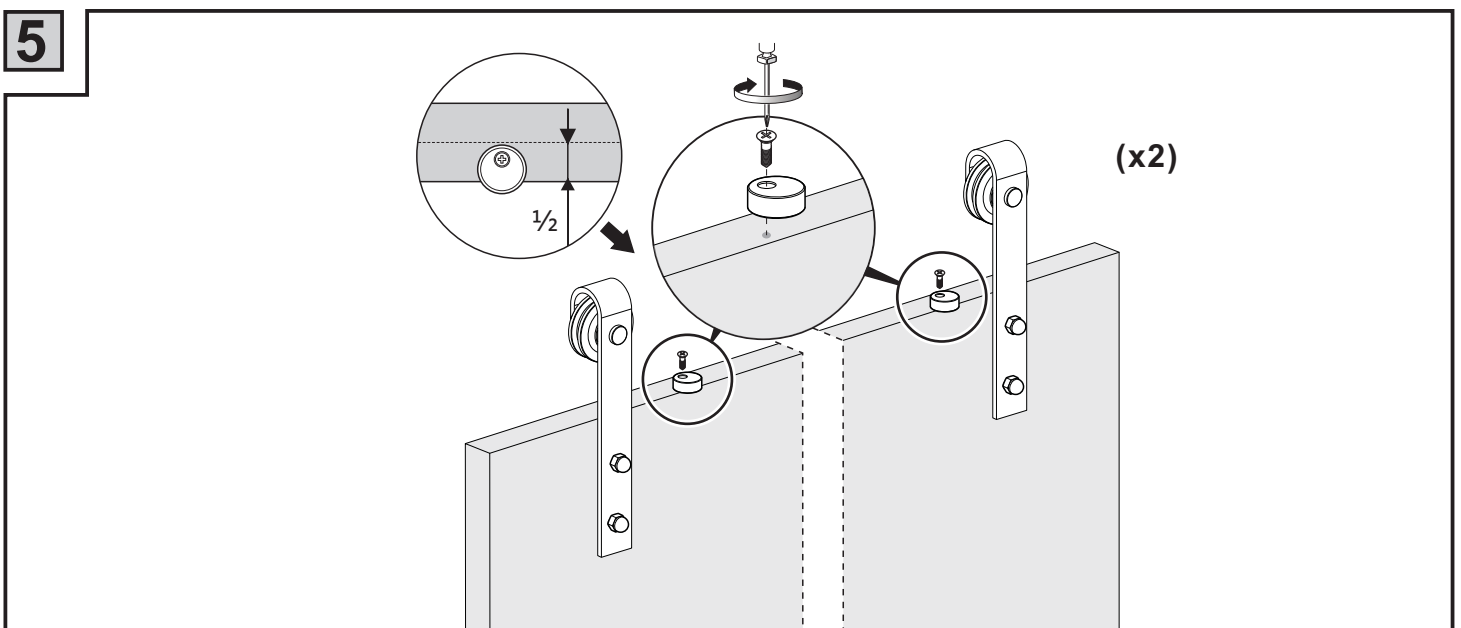
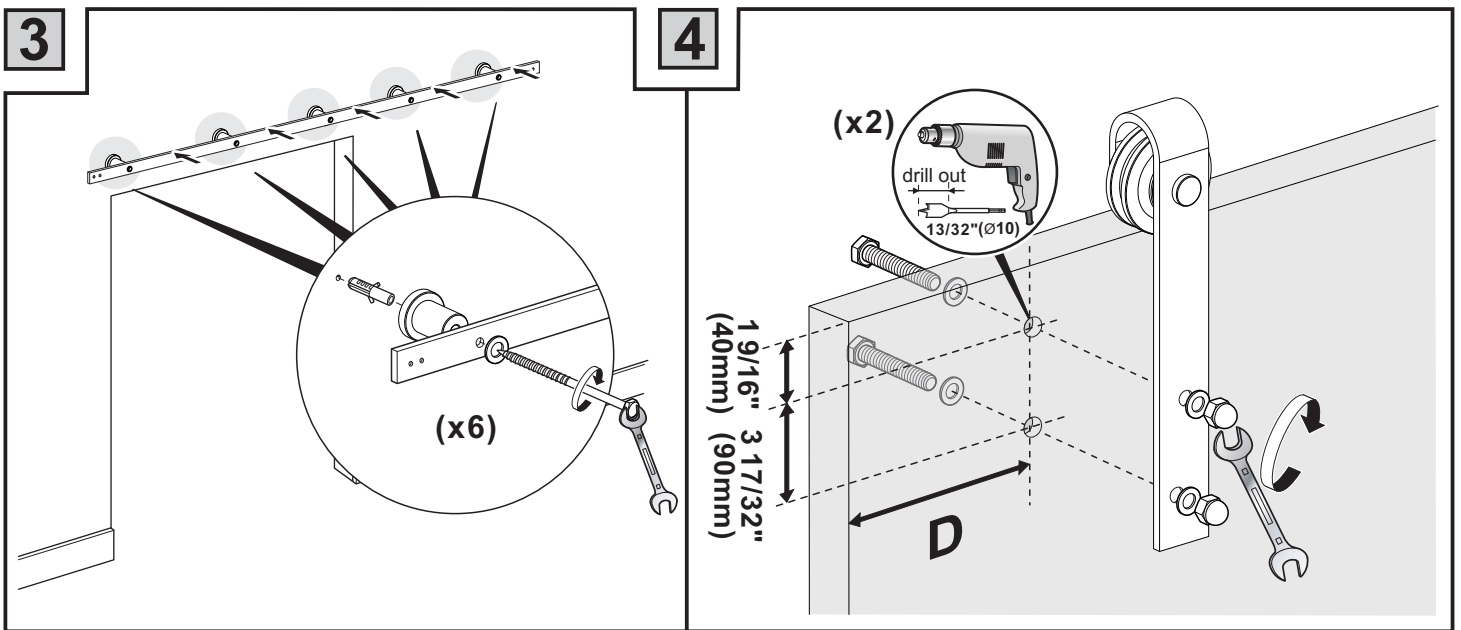
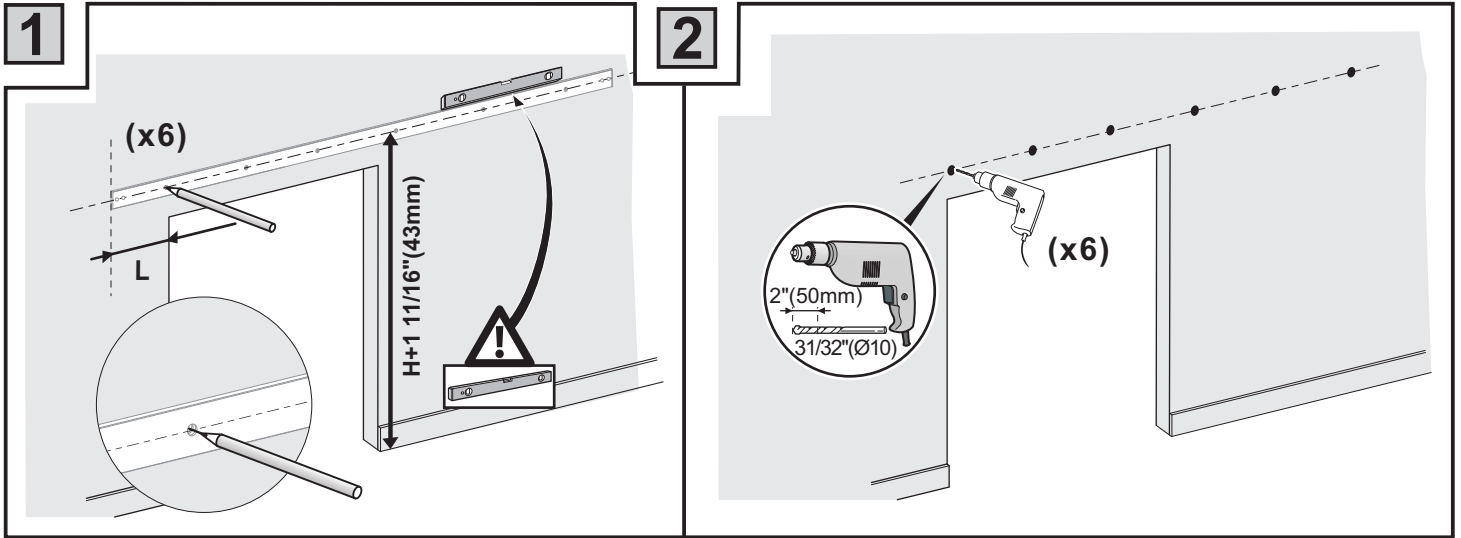
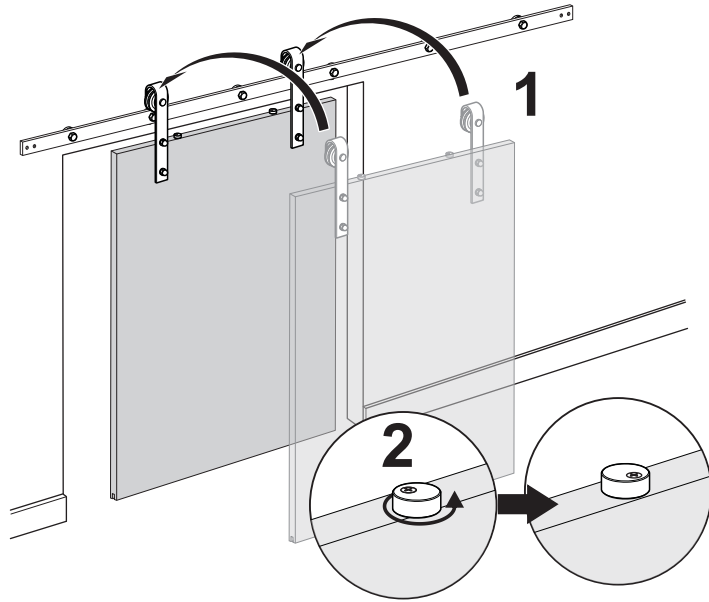


# Installation Manual for BDH3080

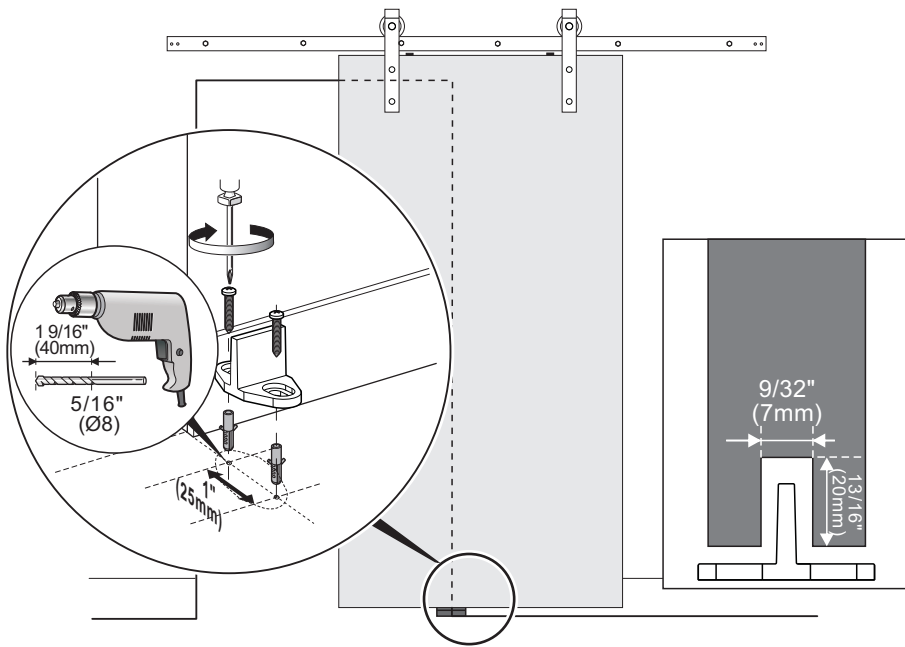




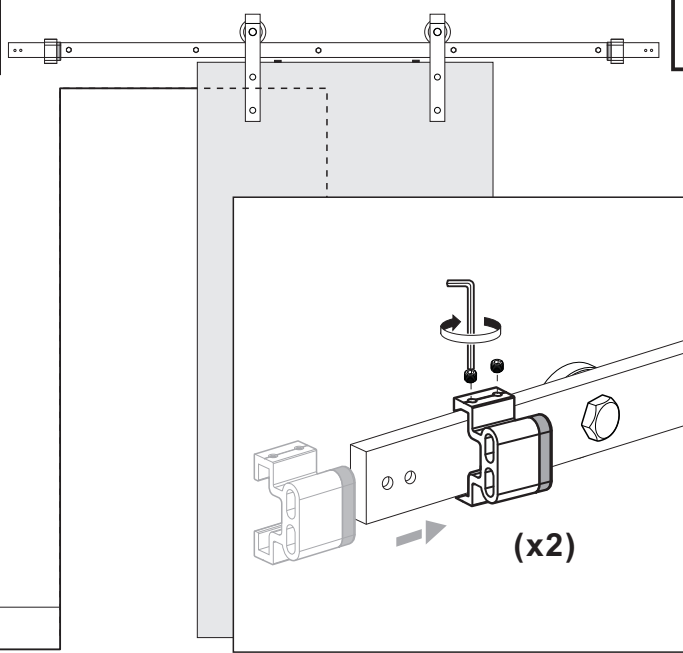
6



7



8



9

