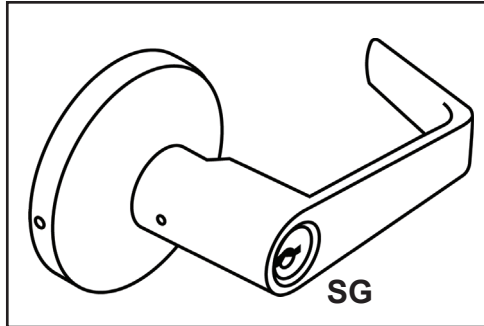


CHALLENGER SG Series

STANDARD DUTY CYLINDRICAL LEVERSETS

ANSI STANDARD A156.2, GRADE 2

Optional Interchangeable Core for **Best, Falcon and Arrow**



STOCK ITEM FINISH IN BOLD
NON-STOCK FINISHES AND DESIGNS AVAILABLE WITH FACTORY LEAD TIME
AND SUBJECT TO MINIMUM ORDER.

FUNCTIONS	ANSI	ITEM #	FINISHES			PCS / MC
Entrance	F109	SG00	US26D, US3, US10BE, US26, US15			10
		● ICSG00	US26D, US3, US10BE, US26, US15			
Entrance Push Button Lock	F82	SG01	US26D			
Storeroom	F86	SG05	US26D, US3, US10BE, US26, US15			
		● ICSG05	US26D, US3, US10BE, US26, US15			
Classroom	F84	SG03	US26D, US3, US10BE, US26, US15			
		● ICSG03	US26D, US3, US10BE, US26, US15			
Patio	F77	SG10	US26D	US3, US10BE	US26, US15	
Privacy	F76	SG20	US26D, US3, US10BE, US26, US15			
Passage	F75	SG30				
Exit	F89	SG50				
Single Dummy	----	SG40				
					20	

● (IC) Indicates function available with **Best, Falcon and Arrow** Interchangeable Core.
For IC Core see pages L119 – L120. For Keying see page L129.

► **PACKAGING INCLUDES**

- UL Listed 2 3/4" backset (2 1/4" x 1", square corner packed with plastic filler for 1 1/8" width). 2 3/8" available on request.
- Standard "C", 6-pin cylinder
- Packed with ASA Strike

► **MOUNT**

2 hole wooden mount.

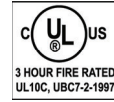
► **KEYWAYS**

6-pin solid brass "C" keyway standard. Optional: Schlage E, Schlage C-K, Russwin D1-2-3-4, Corbin 59 / 60, Arrow A, Corbin-Russwin L4, Sargent LA-LB-LC, Falcon / Weiser E, Yale 8, Yale GA and Kwikset.

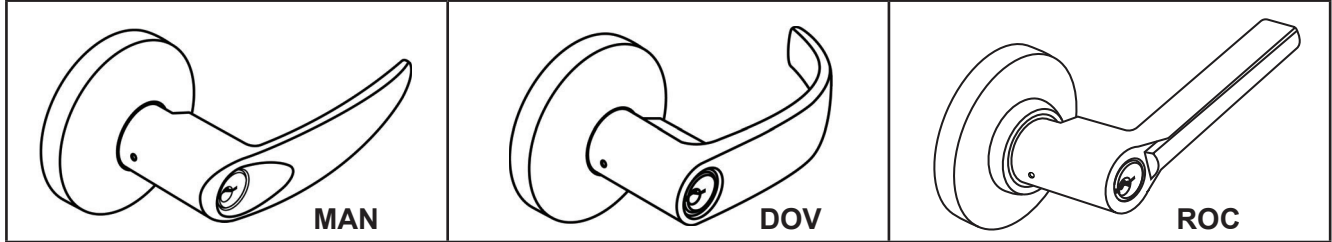
Can also accept Medeco, Assa, Kaba and **Cal-Royal HSK** High Security Cylinders. See **page L129** for keying and Cylinder PART #.

CHALLENGER SG, MAN, DOV, ROC Series

STANDARD DUTY CYLINDRICAL LEVERSETS
ANSI STANDARD A156.2, GRADE 2



Optional Interchangeable Core for **Best, Falcon and Arrow**



STOCK ITEM IN BOLD
NON-STOCK FINISHES AND DESIGNS AVAILABLE WITH FACTORY LEAD TIME AND SUBJECT TO MINIMUM ORDER

FUNCTIONS	ANSI	ITEM #	FINISHES			PCS / MC
Entrance	F109	MAN00 / DOV00	US26D	US3	US10BE, 26, 15, 15A, 4	10
		ROC00 / ICROC00				
		ICMAN00 / ICDOV00				
Storeroom	F86	MAN05 / DOV05	US26D	US3	US10BE, 26, 15, 15A, 4	
		ROC05 / ICROC05				
		ICMAN05 / ICDOV05				
Classroom	F84	MAN03 / DOV03	US26D	US3	US10BE, 26, 15, 15A, 4	
		ROC03 / ICROC03				
		ICMAN03 / ICDOV03				
Patio	F77	MAN10 / DOV10	US26D	US3	US10BE, 26, 15, 15A, 4	
		ROC10				
Privacy	F76	MAN20 / DOV20	US26D	US3	US10BE, 26, 15, 15A, 4	
		ROC20				
Passage	F75	MAN30 / DOV30	US26D	US3	US10BE, 26, 15, 15A, 4	
		ROC30				
Exit	F89	MAN50 / DOV50	US26D	US3	US10BE, 26, 15, 15A, 4	
		ROC50				
Single Dummy	---	MAN40 / DOV40	US26D	US3	US10BE, 26, 15, 15A, 4	
		ROC40				

IC (IC) Indicates function available with **Best, Falcon and Arrow** Interchangeable Core. For IC Core see pages L119 – L120. For Keying see page L129.

► **PACKAGING INCLUDES**

- UL Listed 2 3/4" backset (2 1/4" x 1", square corner packed with plastic filler for 1 1/8" width). 2 3/8" available on request.
- Standard "C", 6-pin cylinder
- Packed with ASA Strike

► **MOUNT**

2 hole wooden mount

► **KEYWAYS**

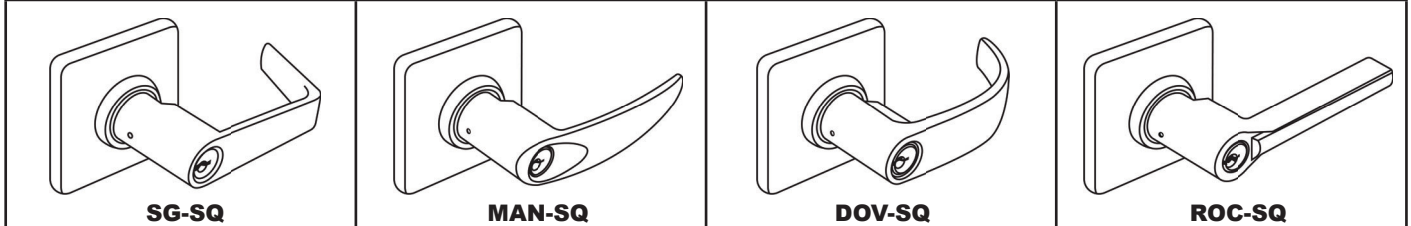
6-pin solid brass "C" keyway standard. Optional: Schlage E, Schlage C-K, Russwin D1-2-3-4, Corbin 59 / 60, Arrow A, Corbin-Russwin L4, Sargent LA-LB-LC, Falcon / Weiser E, Yale 8, Yale GA and Kwikset. Can also accept Medeco, Assa, Kaba and **Cal-Royal HSK** High Security Cylinders. See page L129 for keying and Cylinder PART #.

CHALLENGER SG, MAN, DOV, ROC Series

STANDARD DUTY CYLINDRICAL LEVERSETS
ANSI STANDARD A156.2, GRADE 2



Optional Interchangeable Core for **Best, Falcon and Arrow**



STOCK ITEM IN BOLD
NON-STOCK FINISHES AND DESIGNS AVAILABLE WITH FACTORY LEAD TIME AND SUBJECT TO MINIMUM ORDER

FUNCTIONS	ANSI	ITEM #	FINISHES			MC				
Entrance	F109	SG00-SQ / MAN00-SQ / DOV00-SQ /	US26D	US10B, 10BE, 15	US1	US3 US26, US15A, US10, US4	10			
		ROC00-SQ / ICROC00-SQ								
		⚙️ ICSG00-SQ / ICMAN00-SQ / ICDOV00-SQ								
Entrance Push Button Lock	F82	SG01-SQ	US26D	US10B, 10BE, 15						
		SG05-SQ / MAN05-SQ / DOV05-SQ /						US26D	US10B, 10BE, 15	US1
Storeroom	F86	ROC05-SQ / ICROC05-SQ	US26D							
		⚙️ ICSG05-SQ / ICMAN05-SQ / ICDOV05-SQ						US26D	US10B, 10BE, 15	US1
Classroom	F84	SG03-SQ / MAN03-SQ / DOV03-SQ	US26D	US10B, 10BE, 15	US1					
		ROC03-SQ / ICROC03-SQ								
		⚙️ ICSG03-SQ / ICMAN03-SQ / ICDOV03-SQ								
Patio	F77	SG10-SQ / MAN10-SQ / DOV10-SQ	US26D							
		ROC10-SQ				US1				
Privacy	F76	SG20-SQ / MAN20-SQ / DOV20-SQ /	US26D							
		ROC20-SQ				US1				
Passage	F75	SG30-SQ / MAN30-SQ / DOV30-SQ /	US26D	US10B, 10BE, 15	US1					
		ROC30-SQ								
Exit	F89	SG50-SQ / MAN50-SQ / DOV50-SQ /	US26D							
		ROC50-SQ				US1				
Single Dummy	---	SG40-SQ / MAN40-SQ / DOV40-SQ /	US26D							
		ROC40-SQ				US1	20			

⚙️ (IC) Indicates function available with **Best, Falcon and Arrow** Interchangeable Core..
For IC Core see pages L119 – L120.
For Keying see page L129.

► **KEYWAYS**

6-pin solid brass "C" keyway standard. Optional: Schlage E, Schlage C-K, Russwin D1-2-3-4, Corbin 59 / 60, Arrow A, Corbin-Russwin L4, Sargent LA-LB-LC, Falcon / Weiser E, Yale 8, Yale GA and Kwikset. Can also accept Medeco, Assa, Kaba and **Cal-Royal HSK** High Security Cylinders. See **page L129** for keying and Cylinder PART #.

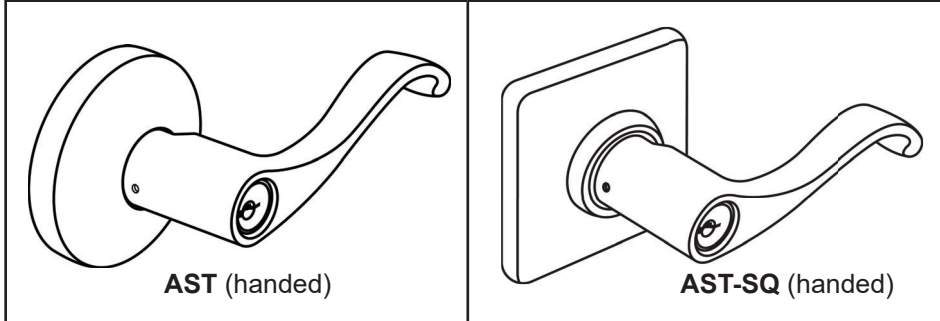
► **PACKAGING INCLUDES**

- UL Listed 2 3/4" backset (2 1/4" x 1", square corner packed with plastic filler for 1 1/8" width). 2 3/8" available on request.
- Standard "C", 6-pin cylinder
- Packed with ASA Strike

CHALLENGER AST Series

STANDARD DUTY CYLINDRICAL LEVERSETS

ANSI STANDARD A156.2, GRADE 2



STOCK ITEM IN BOLD
NON-STOCK FINISHES AND DESIGNS AVAILABLE WITH FACTORY LEAD TIME
AND SUBJECT TO MINIMUM ORDER.

FUNCTIONS	ANSI	ITEM #	FINISHES				PCS / MC
			US3	US15,15A	US26D	US10BE, 26	
Entrance	F109	AST00	US3	US15,15A	US26D	US10BE, 26	10
Storeroom	F86	AST05					
Classroom	F84	AST03					
Privacy	F76	AST20					
Passage	F75	AST30	US3	US15,15A			
Exit	F89	AST50	US3	US15, 15A			
Single Dummy	---	AST40	US3	US15, 15A			20

FUNCTIONS	ANSI	ITEM #	FINISHES				PCS / MC
			US15	US26D, 3	US10BE, 26, 15A, 4		
Entrance	F109	AST00-SQ	US15	US26D, 3	US10BE, 26, 15A, 4		10
Storeroom	F86	AST05-SQ					
Classroom	F84	AST03-SQ					
Privacy	F76	AST20-SQ					
Passage	F75	AST30-SQ					
Exit	F89	AST50-SQ					
Single Dummy	---	AST40-SQ					20

► PACKAGING INCLUDES

- UL Listed 2 3/8" backset (2 1/4" x 1" round corner). 2 3/4" available on request.
- Standard "C", 6-pin cylinder
- Packed with FLS Strike

8 ► IC CORES, KEYING

For IC Core see pages L119 – L120.
 For Keying see page L129.

► MOUNT

2 hole wooden mount.

► KEYWAYS

6-pin solid brass "C" keyway standard. Optional: Schlage E, Schlage C-K, Russwin D1-2-3-4, Corbin 59 / 60, Arrow A, Corbin-Russwin L4, Sargent LA-LB-LC, Falcon / Weiser E, Yale 8, Yale GA and Kwikset. Can also accept Medeco, Assa, Kaba and **Cal-Royal HSK** High Security Cylinders. See page L129 for keying and Cylinder PART #.

***SH SPECIFY HANDING FOR "AST" Design.**

***HANDING:** Entrance, Privacy and Passage functions are reversible non handed on AST designs. Specify handing for convenience. If handing is not available at time of shipment, opposite hand will be shipped. Other functions are handed.