

# CR441 SERIES

ANSI 156.4 Grade 1, Full Cover Multi-Size, Full Feature Closer  
UL Listed, Conforms to Standards UL10C and UBC7-2-1997  
BHMA Certified Lifetime Warranty



- Cal-Royal's Finest Hydraulic Door Closer Series Meeting The Highest Industry Standards, Grade 1
- Heavy-Duty Double Lever Arm With Extra Smooth Action Full Feature Multi-Size Commercial Door Closer For Use In Office Buildings, Shopping Centers and other Commercial Buildings
- Standard Back-Check Function
- Full Plastic Cover Is Standard Feature (Metal Optional)
- Optional Plated Metal Decorative Covers Including 32D
- Optional Adjustable Delayed Action / Barrier Free for Handicapped Or Elderly



## FEATURES

- Universal Application. Non-Handed for Standard, Top Jamb or Parallel Arm Installation
- Non-Sized, 1 thru 6 FACTORY PRESET SIZE 3 Meets ADA
- Door Weights: 30-260 lbs (All Models)
- Hydraulic Door Closer with Standard Adjustable Back-Check Function
- Adjustable Closing and Latching Speed by Two Separate Regulating Valves
- Optional Adjustable Delayed Action (DA) Preset at the Factory for Approximately 20 Seconds, Between 70° and 0° Delay Time Easily Adjusted up to 1 Minute. **CR441 DA**
- Standard Full Plastic Cover (**CR441COV**)
- Self-Tapping Screws and Closer Gauge for Easy Adjustment is Standard Feature
- Available in Alum, Duro, Gold, US3, 26, 26D, 10B and 32D

## REDUCED OPENING FORCE CR441 DOOR CLOSERS

**IMPORTANT** Any door closer, including those certified by BHMA to conform to ANSI Standard A156.4, that is chosen, installed and adjusted based on ADA or other reduced opening force requirement may not provide sufficient power to close and latch a door. Location of door could also affect action and efficiency of door closer.

	<b>DOOR WIDTH</b>	<b>36"</b>	<b>42"</b>	<b>48"</b>
	**8.5 lbs.	CR441	CR441	CR441
	**5.0 lbs.	CR441	CR441	CR441

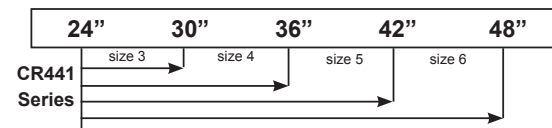
\*\* Maximum Opening Force

## TABLE OF SIZES

Closing power of CR441 closers may be adjusted 50%

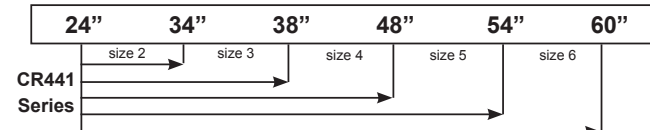
→ Shows recommended range of door width for closer size.

### EXTERIOR (and VESTIBULE) DOOR WIDTH



Minimum Door Width

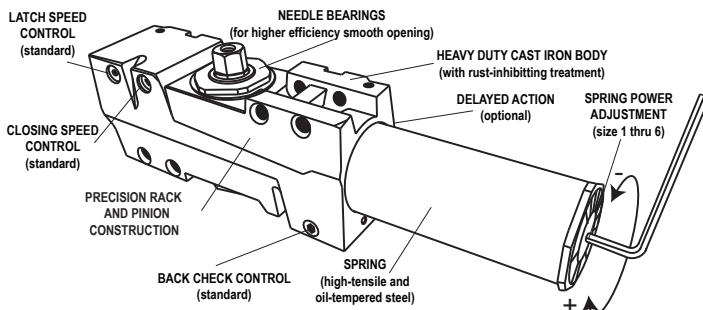
### INTERIOR DOOR WIDTH



Minimum Door Width

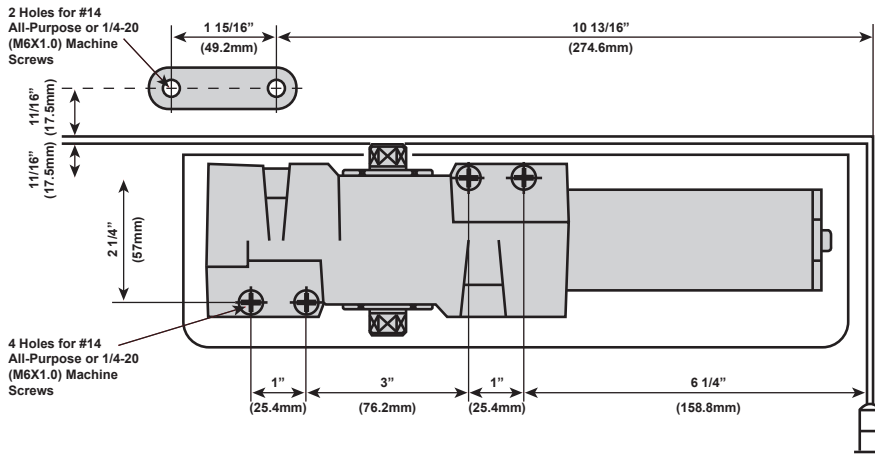
Adjustable Size 1 thru 6

DESCRIPTION	SIZE	
A. Length of Closer Body	11"	
B. Horizontal Mounting Holes	5"	
C. Vertical Mounting Holes	1"	
D. Width of Closer Body	2 3/4"	
E. Projection from Door	2"	

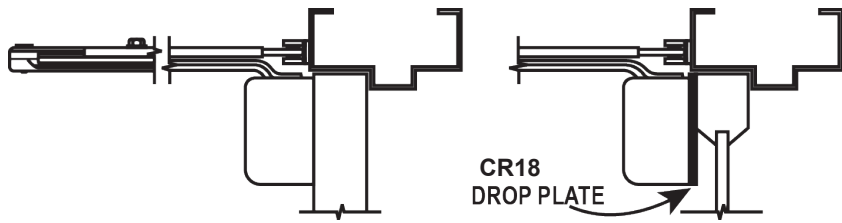


# MOUNTING INFORMATION

## CR441 SERIES : REGULAR ARM INSTALLATION (PULL SIDE)

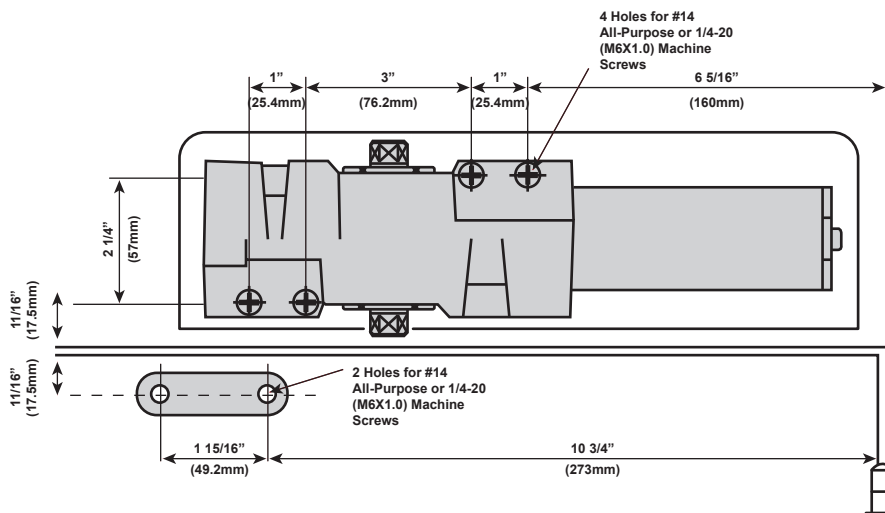


- **Butt Hinges** should not exceed 5" (127mm) in width.
- **Auxiliary Stop** is recommended at hold-open point or where a door cannot swing beyond 120°
- **Reveal** should not exceed 3/4" (19mm) for regular arm or hold-open arm.
- **Top Rail** less than 3 3/4" (19mm) requires PLATE, CR18. Plate requires 2" (51mm) minimum.
- **Clearance** of 2 3/8" (60mm) behind door required for 90° installation.
- **Delayed Action** - Delays closing from 120° to 70°. Delay time adjustable up to approximately 1 minute.
- See **Optional Installation** for ARMS and BRACKETS available on the next page.

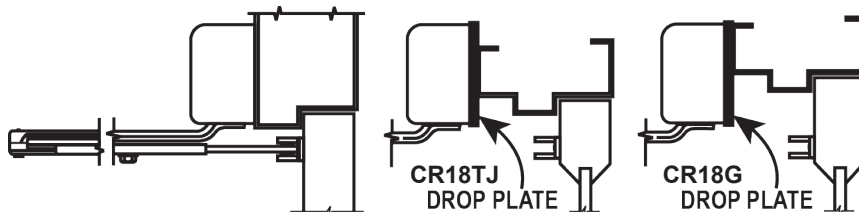


- RIGHT HAND DOOR SHOWN
- SURFACE MOUNTED
- ADJUSTABLE AND PRE-SET BACKSET
- NON-HOLD OPEN / HOLD OPEN

## CR441 SERIES : TOP JAMB INSTALLATION (PUSH SIDE)

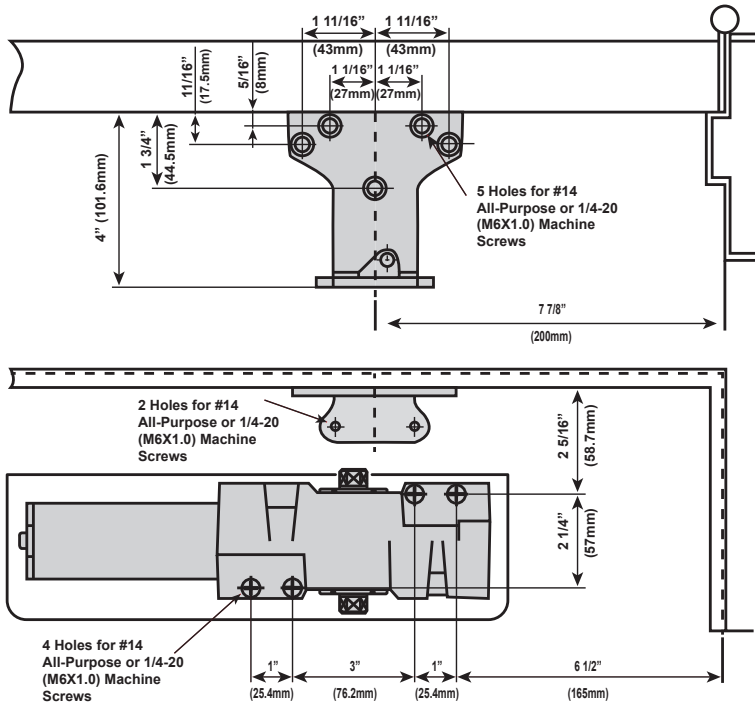


- **Butt Hinges** should not exceed 5" (127mm) in width.
- **Auxiliary Stop** is recommended at hold-open point or where a door cannot swing beyond 120°
- **Reveal** of 2 9/16" (65mm) allows 120° opening for regular or standard hold-open arm. 8" (203mm) allows up to 120° opening with CR441EXT.
- **Top Rail** requires 1 1/4" (32mm) minimum. 2 1/2" (57mm) minimum with closer on PLATE, CR18TJ. 3" (76mm) minimum with closer on PLATE, CR18G.
- **Head Frame** less than 3 1/2" (89mm) requires PLATE, CR18TJ. With flush ceiling, use PLATE, CR18G. Either plate requires 1 3/4" (44mm) minimum.
- **Delayed Action** - Delays closing from 120° to 70°. Delay time adjustable up to approximately 1 minute.
- See **Optional Installation** for ARMS and BRACKETS available on the next page.



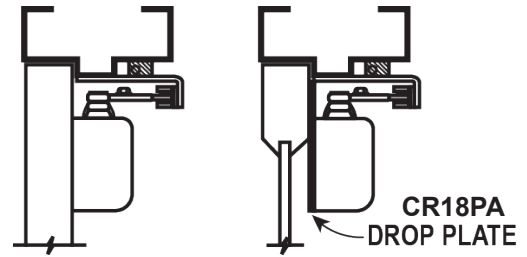
- LEFT HAND DOOR SHOWN
- SURFACE MOUNTED
- ADJUSTABLE AND PRE-SET BACKSET
- NON-HOLD OPEN / HOLD OPEN

## CR441 SERIES : PARALLEL ARM INSTALLATION (PUSH SIDE)



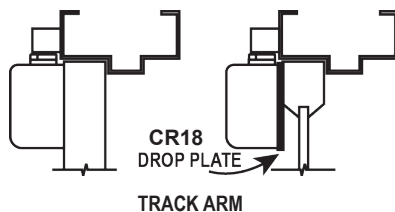
- RIGHT HAND DOOR SHOWN
- SURFACE MOUNTED
- ADJUSTABLE AND PRE-SET BACKSET
- NON-HOLD OPEN / HOLD OPEN

- **Butt Hinges** should not exceed 5" (127mm) in width.
- **Auxiliary Stop** is recommended at hold-open point or where a door cannot swing beyond 180°, or where **CR3077SPAS** arm is not used.
- **Top Rail** less than 5 3/8" (137mm) measured from the stop requires **PLATE, CR18PA**. Plate requires 2" (51mm) minimum from the stop.
- **Stop Width** minimum 1" (25mm). **CUSH** arm requires minimum 1 1/2" (38mm).
- **Delayed Action** - Delays closing from 120° to 70°. Delay time adjustable up to approximately 1 minute.
- See **Optional Installation** for ARMS and BRACKETS available on the next page.

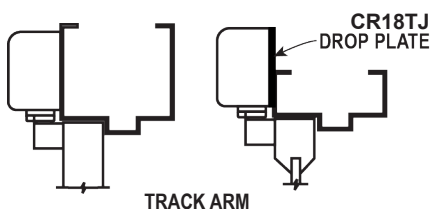


## CR441 SERIES : OPTIONAL INSTALLATION

### REGULAR ARM (PULL SIDE)



### TOP JAMB (PUSH SIDE)



**MAXIMUM OPENING: 180° (Standard), 120° (Hold Open)**

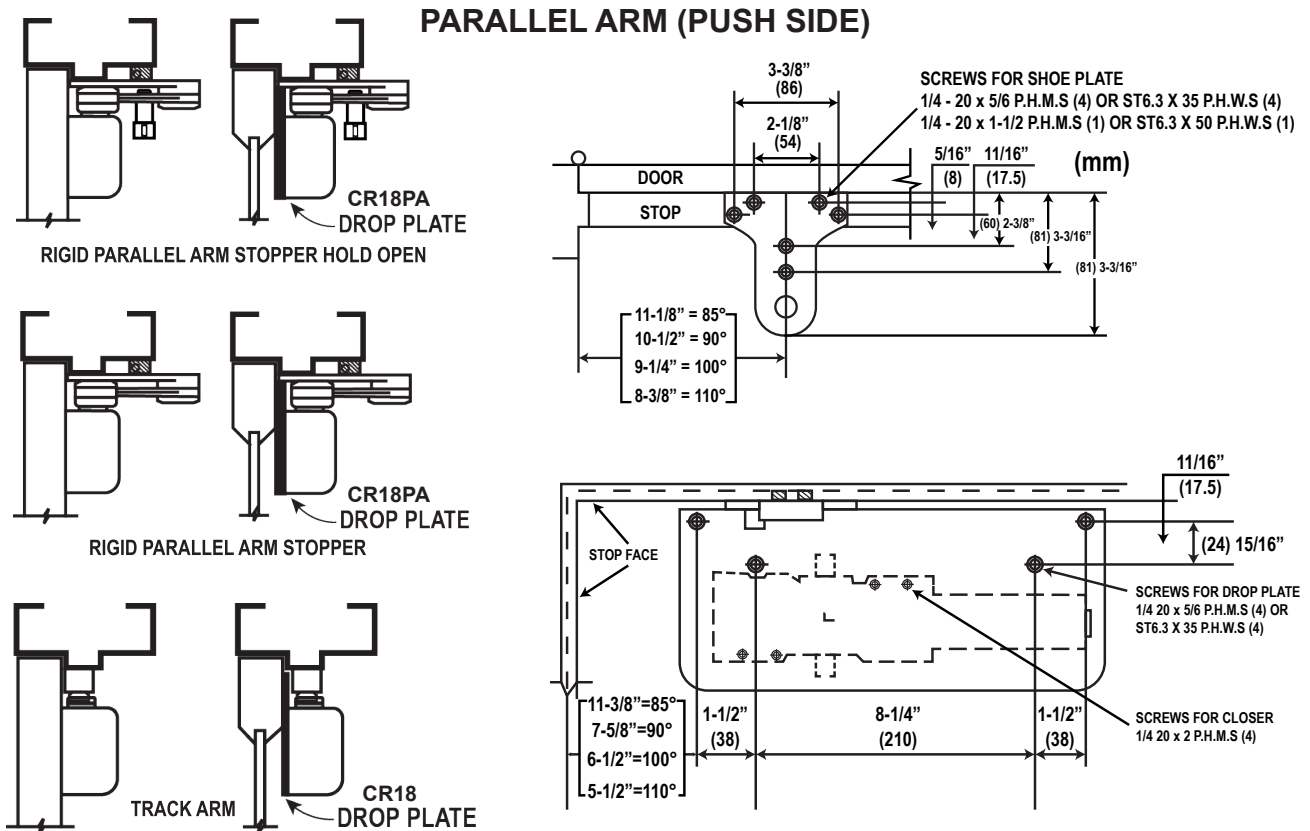
### OPTIONAL INSTALLATION

#### ARMS

- **CR3049HO** - Non-Handed Hold Open Arm with Parallel Bracket
- **CR441ARM** - Door Closer Arm (Main and Regular Forearm)
- **CR441EXT** - Extended Long Arm (3" extension) for Top Jamb with reveals
- **TRACK441** - Slide Track Arm with Hold-Open

- **CR18PA** - Drop Plate for Parallel Arm Mounting Top Rail is less than 5 1/2" Measured from Stop. Plate Requires 2" Minimum Top Rail
- **CR18** - Drop Plate used where Top Rail is less than 3 3/4"
- **CR18TJ** - Drop Plate for Top Jamb where Face is less than 3 1/2"
- **CR18G** - Drop Plate for Top Jamb Mounted Closer Flush with Top of Head Frame Face in Flush Ceiling Condition. Plate Requires 1 3/4" Minimum Head Frame

## CR441 SERIES : OPTIONAL INSTALLATION



**MAXIMUM OPENING: 180° (Standard), 120° (Hold Open)**

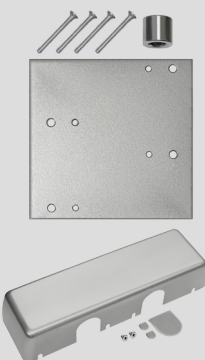
### OPTIONAL INSTALLATION ARMS

- **CR3049HO** - Non-Handed Hold Open Arm with Parallel Bracket
- **CR441ARM** - Door Closer Arm (Main and Regular Forearm)
- **CR441EXT** - Extended Long Arm (3" Extension) for Top Jamb with Reveals
- **TRACK441** - Slide Track Arm with Hold-Open
- **CR3049HOSPRING** - Super Rigid Parallel Arm Stopper Hold-Open, Non-Handed with Spring Loaded Stop in Soffit Shoe
- **CR3077SPRING** - Super Rigid Non-Handed Parallel Arm with Spring Loaded Stop in the Soffit Shoe
- **CR3049HOSRPS** - Super Rigid Parallel Arm Stopper Hold-Open, Non-Handed with Stop in Soffit Shoe
- **CR3049SPAS** - Super Rigid Parallel Arm Stopper, Non-Handed with Stop in Soffit Shoe
- **CR3077HDAR** - Non-Handed Parallel Arm Features Forged, Solid Steel Main and Forearm for Potentially Abusive Installations

### BRACKETS

- **CR18PA** - Drop Plate for Parallel Arm Mounting Top Rail is less than 5 1/2" Measured from Stop. Plate Requires 2" Minimum Top Rail
- **CR18** - Drop Plate Used Where Top Rail is less than 3 3/4"
- **CR18TJ** - Drop Plate for Top Jamb where Face is less than 3 1/2"
- **CR18G** - Drop Plate for Top Jamb Mounted Closer Flush with Top of Head Frame Face in Flush Ceiling Condition. Plate Requires 1 3/4" Minimum Head Frame
- **CR441PA** - Parallel Arm Bracket

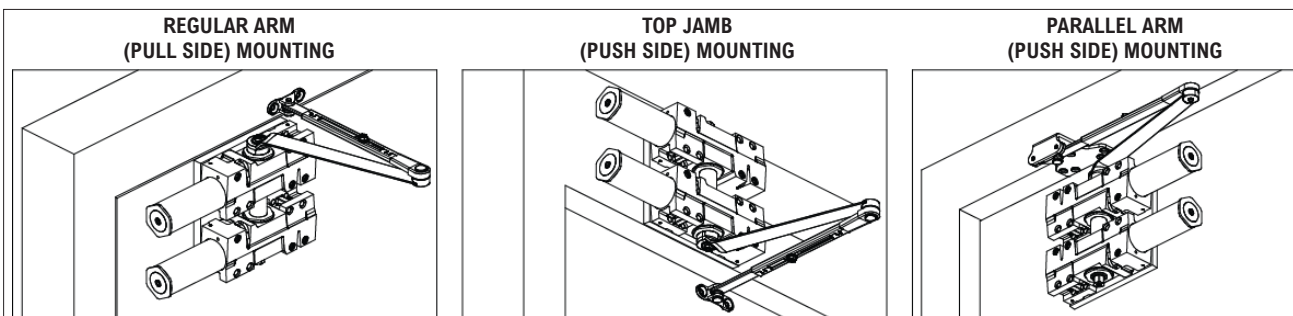
## CONCR441 - DUAL CLOSER CONNECTOR KIT



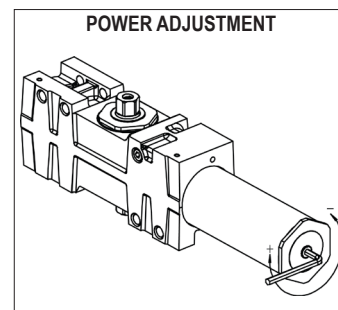
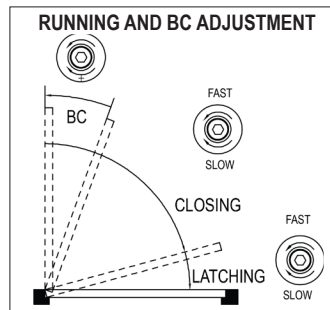
**CONCR441KIT**  
Includes:  
Steel Connector  
Sleeve Nut,  
Steel Mounting Plate,  
Screws and Primary  
Closer Cover  
(Does not include closers)

**CR441 / TNDM**  
includes:  
CONCR441KIT,  
2 x CR441 Door Closers  
(Includes 2 complete boxes  
of regular door closers)





POWER ADJUSTMENT AND DOOR WIDTH		
DOOR MAX WIDTH		ADJUSTING NUT AND TURNS
EXTERIOR	INTERIOR	
----	5 lb-f	-5 (counter clockwise)
8 lb-f	34" (864)	-2 (counter clockwise)
30" (762)	38" (962)	0
36"(914)	48" (1219)	+5 (clockwise)
42" (1067)	54" (1372)	+10 (clockwise)
48" (1219)	60" (1524)	+15 (clockwise)



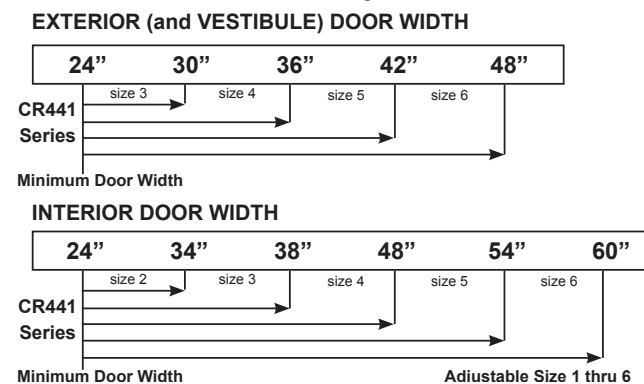
When a single door closer is not strong enough to close a door weighing 260 ~ 520 lbs, the **CONCR441KIT** allows two CR441 Series Grade 1 Door Closers to work as one, by connecting them together with the high-tensile strength steel connector sleeve nut on a steel mounting plate, doubling the strength and the door weight capacity while maintaining the opening force.

### FEATURES

- Connects Two CR441 Series Door Closers
- For Doors 260 ~ 520 lbs Weight
- Can be Used for Regular Arm, Top Jamb or Parallel Arm Mounting
- Easy Mounting
- High Tensile Strength Steel Connector Sleeve Nut
- 6 11/16" x 6 11/16" x 3/16" Steel Mounting Plate
- 4" x 1/4" - 20" x 2 1/8" Mounting Screws

### TABLE OF SIZES

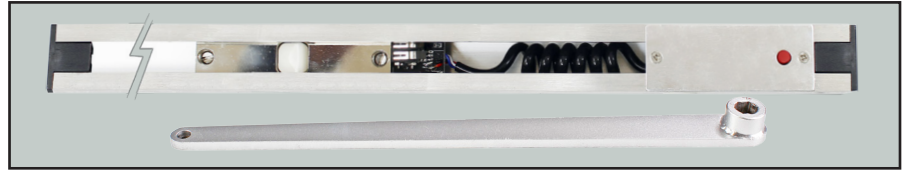
Closing power of CR441 closers may be adjusted 50%  
→ Shows recommended range of door width for closer size.





## CR441EHO - CR441 WITH ELECTRONIC HOLD-OPEN TRACK

- Full Cover Multi-size
- Full Feature Closer
- ANSI 156.4 Grade 1
- UL Listed, Conforms to Standards
- UL10C and UBC7-2-1997
- BHMA Certified Lifetime Warranty
- Electronic Hold-Open Track



### FEATURES

- Heavy Duty Electronic Closer / Holder Track for CR441 Door Closers
- Designed for Single Point Hold-Open for Fire and Smoke Barrier Doors
- Designed to Hold Doors Open in Normal Use and Close Under Fire Conditions
- Adjustable Hold-Open Force
- Functions as a Full Rack and Pinion Closer when Hold-Open is Not Engaged or Current is Interrupted
- Door Opening can be Adjusted on the Track Arm
- Concealed or Surface Wiring
- Interfaces with Alarm Systems
- Mounts on Either Head Frame or Stop
- Non-Handed
- Non-Sized
- 24V AC / DC Input for Holding Solenoid
- Includes Test Switch for Integrity Cycle Test

The **CR441EHO** is a Grade 1 heavy duty door closer with electrically controlled hold-open track arm. It is designed to provide adjustable hold-open for fire and smoke barrier doors.

Door is held open until current interruption releases mechanism and the door closes. It can also be interfaced to any alarm systems and has a built-in switch for integrity cycle testing.

Single lever (track) arm closer is specifically designed for interior doors.

The **CR441EHO** series door closer body is UL & cUL listed for smoke barrier or labeled fire doors. Tested and certified under ANSI Standard A156.15. Conforms to life safety code, NFPA 101. BHMA Certified Lifetime Warranty.

