

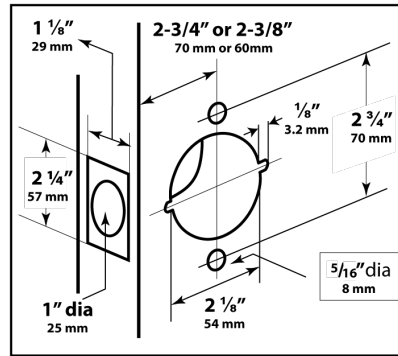
# CALYPSO CAL SERIES FINISHES AND FUNCTIONS



FINISHES AVAILABLE		
BHMA SYMBOL	US CODE	DESCRIPTION
605	US3	Polished Brass
606	US4	Satin Brass
609	US5	Antique Brass
612	US10	Satin Bronze
613	US10B	Oil Rubbed Bronze
619	US15	Satin Nickel
625	US26	Polished Chrome
626	US26D	Satin Chrome

Refer to price list for stock finishes and functions

## DOOR PREPARATION



**LIFETIME WARRANTY**

**UL US**  
3 HOUR FIRE RATED  
UL10C, UBC7-2-1997

**CAL00**  
**ICCAL00**  
ANSI: F109  
FED#161A

**ENTRANCE / OFFICE LOCK**  
Turn / Push button locking. Pushing and turning button locks outside lever requiring use of key until button is manually unlocked. Pushing button locks outside lever until unlocked with key or inside lever is turned.

**CAL07**  
**ICCAL07**  
ANSI: F110

**CLASSROOM INTRUDER**  
Latch bolt is operated by rotating the inside lever, or rotating the outside lever only when not locked from the inside or outside key. Outside lever is locked and unlocked by turning the key inside or outside lever. Inside lever cannot be locked.

**CAL02**  
**ICCAL02**  
ANSI: F91  
FED#161G

**STORELOCK**  
Dead locking latch bolt operated by lever from either side, except when both levers are locked by key in lever from either side.

**CAL09**  
**ICCAL09**  
ANSI: F87  
FED#161W

**INSTITUTION**  
Dead locking latch bolt operated by key in lever from either side. Both lever always fixed.

**CAL03**  
**ICCAL03**  
ANSI: F84  
FED#161R

**CLASSROOM**  
Dead locking latch bolt operated by lever from either side except when outside lever is locked from outside by key. When outside lever is locked, latch bolt is operated by turning inside lever.

**CAL101**  
**ICCAL101**  
ANSI: F90  
FED#161T

**DORMITORY**  
Dead locking latch bolt operated by lever from either side except when outside lever is locked by key or by push button on inside lever. Key in outside lever locks or unlocks outside lever. Outside key releases push button when locked from inside. Rotating inside lever or closing the door releases push button.

**CAL04**  
**ICCAL04**  
ANSI: F80  
FED#161S

**COMMUNICATING**  
Dead locking latch bolt operated by lever from either side. Turning key in either lever locks or unlocks its own lever independently.

**CAL20**  
**ANSI: F76**  
**FED#161L**

**PRIVACY LOCK**  
Latch bolt operated by lever from either side. Outside lever is locked by push button inside and unlocked by emergency release outside. Turning inside lever or closing door releases push button.

**CAL05**  
**ICCAL05**  
ANSI: F86  
FED#161D

**STOREROOM**  
Dead locking latch bolt operated by key in outside lever or by rotating inside lever. Outside lever is always fixed.

**CAL30**  
**ANSI: F75**  
**FED#161N**

**PASSAGE SET**  
Latch bolt operated by lever from either side at all times.

**CAL06**  
**ICCAL06**  
ANSI: F88  
FED#161C

**VESTIBULE**  
Dead locking latch bolt operated by lever from either side except when outside lever is locked by key from inside. Latch bolt may be retracted by key in outside lever or by rotating inside lever.

**CAL40**

**DUMMY LEVER**  
Single dummy trim for one side of door. Pull only.

● "IC" Indicates function available with BEST, FALCON & ARROW Interchangeable Core.

**HOW TO ORDER:** For "SPA" or "MHM" designs, replace design name.  
Example: CAL00 Entrance in "SAN" is SAN00.

OTHER FUNCTIONS NOT LISTED AVAILABLE UPON REQUEST