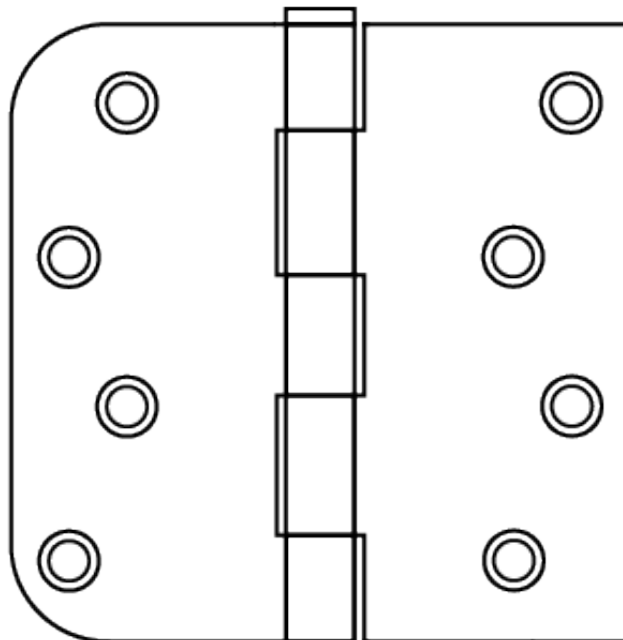




CASTLEGATE HINGES

COMBINATION SQUARE AND ROUND CORNER 5/8" PLAIN BEARING HINGE

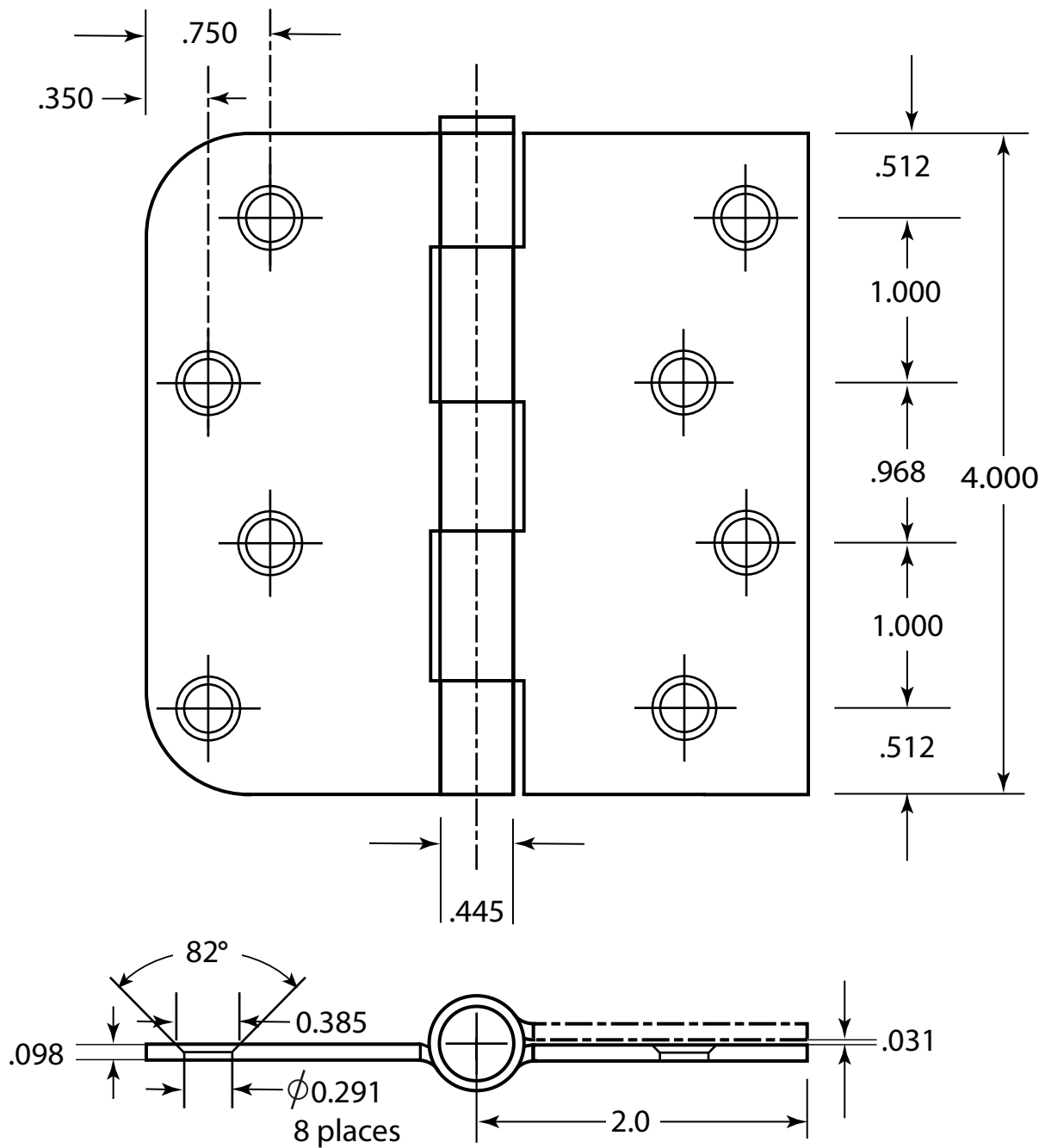


- ◆ Round corners have a 5/8"(15.9mm) radius , other leaf has square corners
- ◆ Square leaf applies to door mortised completely across edge
- ◆ Round corner 5/8" (15.9mm) radius leaf applies to frame
- ◆ For use on lightweight residential doors with low frequency applications

ITEM	SIZE	FINISH	LIST PRICE EACH
CAS44L (LEFT HAND)	4" x 4"	US26D	2.45
		US2D	2.23
CAS44R (RIGHT HAND)		US26D	2.45
		US2D	2.23

SCREWS: 8 Pcs wood screws 1" x 10; 4 pcs machine screws #10 head, 1/2" x 12-24 per hinge

Fax us your orders at 800-222-3316 OR 323-888-6699
or Email to sales@cal-royal.com

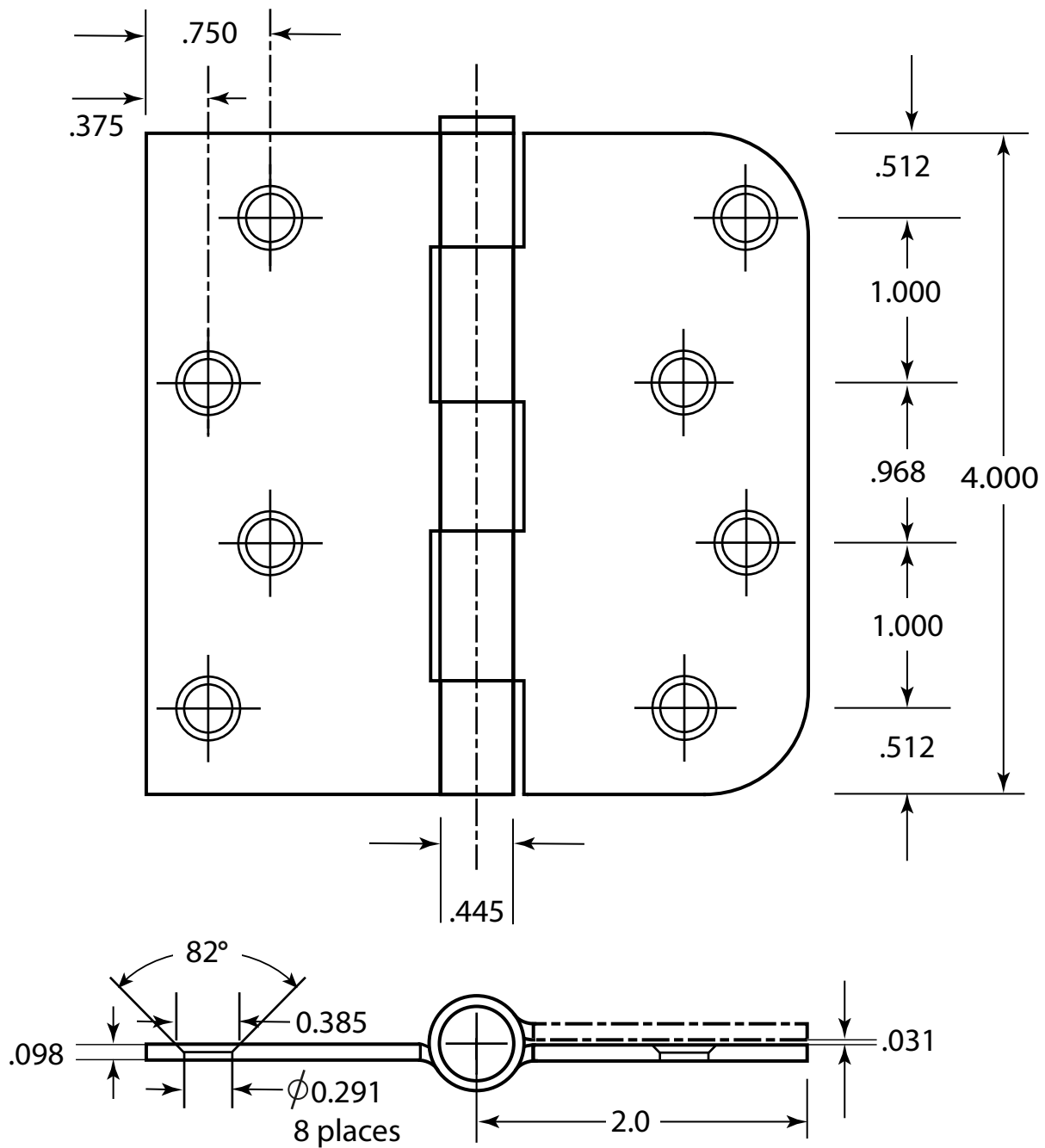


Screws: 8 Pcs wood screws 1" x 10; 4 pcs machine screws #10 head, 1/2" x 12-24 per hinge



6605 Flotilla St.
 City of Commerce
 CA 90040 USA
 Tel: (323) 888-6601
 FAX: (323) 888-6699
 Website: cal-royal.com
 Email: sales@cal-royal.com

ITEM NO.:	DESCRIPTION:	SCALE:
CAS44L	4" X 4" CASTLEGATE HINGE (LEFT HAND) 5/8" CORNER RADIUS	1:1
ANSI:	UNIT:	VERSION:
---	inches (mm)	ver. 1.0
		BY:
		scarlos/jsa



Screws: 8 Pcs wood screws 1" x 10; 4 pcs machine screws #10 head, 1/2" x 12-24 per hinge



6605 Flotilla St.
 City of Commerce
 CA 90040 USA
 Tel: (323) 888-6601
 FAX: (323) 888-6699
 Website: cal-royal.com
 Email: sales@cal-royal.com

ITEM NO.:	DESCRIPTION:	SCALE:
CAS44R	4" X 4" CASTLEGATE HINGE (RIGHT HAND) 5/8" CORNER RADIUS	1:1
ANSI:	UNIT:	VERSION:
---	inches (mm)	ver. 1.0
		BY:
		scarlos/jsa