

# EXPLORER

**XP SERIES (NON CLUTCH MECHANISM)**  
**CXP SERIES (CLUTCH MECHANISM)**  
**OPTIONAL THRU BOLT INSTALLATION**

Optional tactile warning meets  
handicap and fire code

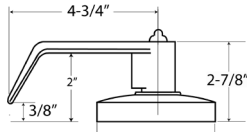
Optional removable Thru-Bolt

Push in and turn button  
function

Coil compression springs  
provide great strength and  
durability

Plastic filler for use  
on 1 1/8" door prep

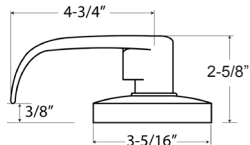
UL LISTED 3 HOUR RATED  
1/2" Throw deadlatch completely  
reversible for flat & beveled doors



**XP DESIGN**



**XPRL DESIGN**



Individual spring on each side to prevent  
lever sag, maintain reliability and reduce  
maintenance

Cylindrical Body

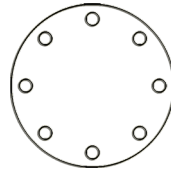
Full length lever handle  
with 3/8" return

Concealed screw  
mounting

Solid brass 6 pin "C"  
keyway cylinder.

Available with Small Format  
Interchangeable Core

Thru-Bolt can be set to all major lock  
manufacturers thru bolt locations



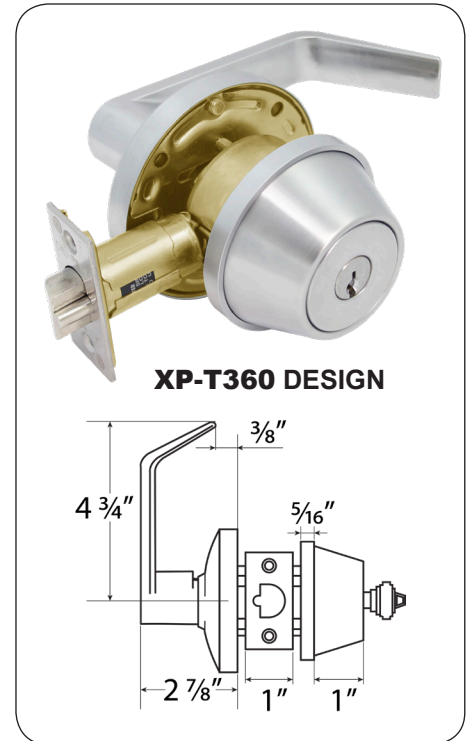
**LIFETIME  
WARRANTY**



**MEETS**  
*The Buy American Act*



Meets ADA requirements  
Specially designed for  
Barrier Free Application  
Conforms with BHMA / ANSI A156.2  
Series 4000, Grade 2,  
Exceeds 400,000 Cycles



**XP-T360 DESIGN**

## SPECIFICATIONS

### APPLICATIONS

For offices, schools, hospitals, apartments, hotel / motel, residential, commercial and public buildings.

### DOOR RANGES

1 3/8" to 2" thickness doors; 1 3/4" Standard for **XP-T360**  
(Optional Adapter Ring for 1 3/8" thick doors for **XP-T360**)

### BACKSET

2 3/4" Standard, 2 3/8", 3 3/4" and 5" optional.;  
2 3/8" Standard for **XP-T360**

### LATCH BOLT

1/2" Throw solid brass, reversible for RH or LH applications. UL Listed.

### LATCH FACEPLATE

2 1/4" x 1", square corner packed with 1/8" filler for 1 1/8" width.

### ANSI STANDARDS

Meets or exceeds requirements of BHMA / ANSI A156.2  
Series 4000, Grade 2 (FF-H 106C), 400,000 cycles.

### STRIKES

ASA strike standard, "T" and full lip strike available on request.

### EXPOSED TRIM

Wrought Brass, Bronze or Stainless Steel. Levers are Zinc Casting, plated to match trim finish.

### KEYING

6-pin "C" keyway cylinder, 2 keys per lock. Keying as per individual job requirement.

### CYLINDER & KEYWAYS

6 pin solid brass "C" keyway standard. Schlage E, Schlage C-K, Russwin D1-2-3-4, Corbin 59 / 60, Corbin-Russwin L4, Sargent LA-LB-LC, Falcon / Weiser E, Arrow A, Yale 8, Yale GA and Kwikset. Can also accept Medeco, Assa, Kaba and Cal-Royal (HSK) High Security Cylinders.

### INTERCHANGEABLE CORE (IC)

Interchangeable Core locks will accept compatible 6 or 7 pin cores with BEST, FALCON and ARROW. Prefix "IC" before part number. Available combined or uncombined. Temporary construction cores available. Factory keying with control key and master key available.

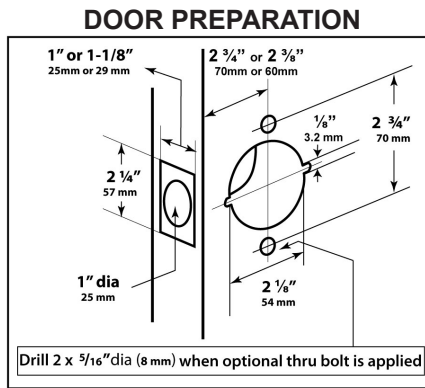
**TACTILE & LEAD LINING** available upon request.

# EXPLORER XP SERIES FINISHES AND FUNCTIONS

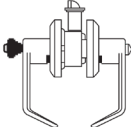


FINISHES AVAILABLE		
BHMA SYMBOL	US CODE	DESCRIPTION
605	US3	Polished Brass
606	US4	Satin Brass
609	US5	Antique Brass
612	US10	Satin Bronze
613	US10B	Oil Rubbed Bronze
619	US15	Satin Nickel
625	US26	Polished Chrome
626	US26D	Satin Chrome

Refer to price list for stock finishes and functions

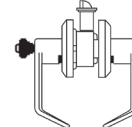


**XP00**  
**ICXP00**  
**CXP00**  
 ANSI: F109



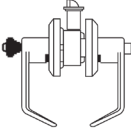
**ENTRANCE / OFFICE LOCK**  
 Turn / Push button locking. Pushing and turning button locks outside lever requiring use of key until button is manually unlocked. Pushing button locks outside lever until unlocked with key or inside lever is turned.

**XP101**  
**ICXP101**  
**CXP101**  
 ANSI: F90



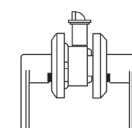
**DORMITORY / ASSISTED LIVING**  
 Deadlocking latch bolt operated by lever from either side except when outside lever is locked by key or by push button on inside lever. Key in outside lever locks or unlocks outside lever. Outside key releases push button when locked from inside. Rotating inside lever or closing the door releases push button.

**XP01**  
**ICXP01**  
**CXP01**  
 ANSI: F82



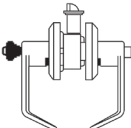
**ENTRANCE LOCK PUSH BUTTON**  
 Pushing button in inside lever locks outside lever. Turning inside lever or operating key in outside lever releases button automatically. Closing door does not release button. Button cannot be fixed in lock position. Inside lever always free. Latch bolt automatically deadlocks when door is closed.

**XP10**  
**CXP10**  
 ANSI: F77



**PATIO**  
 Deadlocking latch bolt operated by lever from either side. Outside lever is locked by push button inside and unlocked by rotating inside lever or closing door.

**XP03**  
**ICXP03**  
**CXP03**  
 ANSI: F84



**CLASSROOM LOCK**  
 Dead locking latch bolt operated by lever from either side except when outside lever is locked from outside by key. When outside lever is locked, latch bolt is operated by turning inside lever.

**XP20**  
**CXP20**  
 ANSI: F76



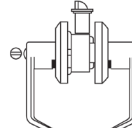
**PRIVACY LOCK**  
 Latch bolt operated by lever from either side. Outside lever is locked by push button inside and unlocked by emergency release outside. Turning inside lever or closing door releases push button.

**XP05**  
**ICXP05**  
**CXP05**  
 ANSI: F86



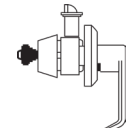
**STOREROOM LOCK**  
 Dead locking latch bolt operated by key in outside lever or by rotating inside lever. Outside lever is always fixed.

**HXP20**  
**HCXP20**



**HOSPITAL PRIVACY LOCK**  
 Latch bolt operated by lever from either side. Outside lever is locked by push button inside and unlocked by turning turn button. Turning inside lever or closing door releases push button.

**XP-T360-05**  
 ANSI: F86



**STOREROOM LOCK AND SINGLE CYLINDER DEADBOLT COMBINATION**  
 Dead locking latch bolt operated by key in outside deadbolt or by rotating inside lever. Outside deadbolt is always fixed.

**XP30**  
 ANSI: F75



**PASSAGE SET**  
 Latch bolt operated by lever from either side at all times.

**XP80**  
**ICXP80**  
**CXP80**  
 ANSI: F89



**EXIT LOCK**  
**CONNECTING ROOM WITH KEY**  
 Deadlocking latch bolt operated with key from inside only. Blank plate outside.

**XP40**



**DUMMY LEVER**  
 Single dummy trim for one side of door. Pull only.

**XP50**  
 ANSI: F89



**EXIT LOCK**  
 Blank plate outside. Inside lever always unlocked.

**HOW TO ORDER:**  
 For "XPRL", replace design name.  
 Example: XP00 entrance in "XPRL" is XPRL00.

• "IC" Indicates function available with BEST, FALCON & ARROW Interchangeable Core.

• "CXP" Indicates function available with Clutch.  
**OTHER FUNCTIONS NOT LISTED AVAILABLE UPON REQUEST.**