

COLUMBUS

QUALITY DESIGNED AND ENGINEERED FOR
LIGHT COMMERCIAL AND RESIDENTIAL APPLICATIONS

**LIFETIME
WARRANTY**

Conforms with ANSI A156.2
Series 4000, Grade 3
Exceeds 200,000 cycles

Internal mechanism heavy gauge cold rolled steel. All parts are zinc plated and dichromated to assure protection from rust or corrosion. Special lubricant applied for smoother operation.

Threaded inside rose conceals mounting plate and screws

Button push in and turn button function

Knobs cannot slip or pull off. Both kept in position by positive spring catch

Adjustable 2 3/8" - 2 3/4" backset

Latch faceplate standard 2 1/4" x 1"

Deadlatch affords a high degree of security. Standard with solid, rustless, pressure cast. #300 series anti-magnetic stainless steel or brass latch bolt

Guard bolt deadlocks latch bolt automatically

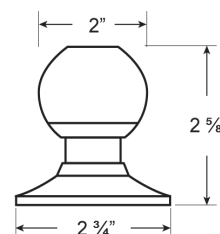
Latch case sturdy all steel mechanism

Cylindrical housing 2 1/8" diameter provides great strength and durability

Outside rose threaded 2 3/4" diameter large rose adjustable for various door thickness

Cylinder knob demountable for quick re-keying and replacement; reversible for either right or left-hand doors swinging in or out

Solid Brass 5-pin "C" keyway. Can be construction keyed and master keyed as required



7500 SERIES

SPECIFICATIONS

DOOR RANGES

Adjustable for 1 3/8" to 1 3/4" door thickness.

BACKSET

Standard 2 3/8" and 2 3/4" adjustable.

LATCH FACEPLATE

2 1/4" x 1" standard.

STRIKES

T strike standard. Optional ANSI or full lip strike available.

KEYING: 5-pin "C" keyway cylinder, 2 keys per lock.

BORE DIAMETER: 1" for latch. 2 1/8" for lock housing.

ADDITIONAL KEYWAYS

6 pin solid brass "C" keyway standard. Schlage E, Schlage C-K, Russwin D1-2-3-4, Corbin 59 / 60, Corbin-Russwin L4, Sargent LA-LB-LC, Falcon / Weiser E, Arrow A, Yale 8, Yale GA and Kwikset. Can also accept Medeco, Assa, Kaba and Cal-Royal (HSK) High Security Cylinders.

EXPOSED TRIM

Wrought brass, bronze or stainless steel.

ANSI STANDARDS

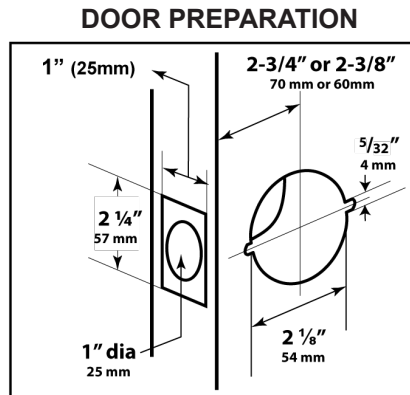
Meets or exceeds requirements of ANSI / BHMA A156.2 Series 4000 for Grade 3 (FF-H-106C).

COLUMBUS SERIES FINISHES AND FUNCTIONS



FINISHES AVAILABLE		
BHMA SYMBOL	US CODE	DESCRIPTION
605	US3	Polished Brass
606	US4	Satin Brass
609	US5	Antique Brass
612	US10	Satin Bronze
613	US10B	Oil Rubbed Bronze
619	US15	Satin Nickel
625	US26	Polished Chrome
626	US26D	Satin Chrome
630	US32D	Satin Stainless Steel

Refer to price list for stock finishes and functions




LIFETIME WARRANTY

7500
ANSI F109
FED #161A / 160A




ENTRANCE / OFFICE LOCK
Turn / Push button locking. Pushing and turning button locks outside knob requiring use of key until button is manually unlocked. Pushing button locks outside knob until unlocked with key or inside knob is turned.

7503
ANSI F84



CLASSROOM
Deadlocking latch bolt operated by knob from either side except when outside knob is locked from outside by key. When outside knob is locked, latch bolt is operated by turning inside knob.

7505
ANSI F86



STOREROOM
Deadlocking latch bolt operated by key in outside knob or by rotating inside knob. Outside knob is always fixed.

7520
ANSI F76
FED # 161L / 160L



PRIVACY LOCK
Latch bolt operated by knob from either side. Outside knob is locked by push button inside and unlocked by emergency release outside. Turning inside knob or closing door releases push button.

7530
ANSI F75
FED # 161N / 160N



PASSAGE SET
Latch bolt operated by knob from either side at all times.

7540



DUMMY LEVER
Single dummy trim for one side of door. Pull only.

OTHER FUNCTIONS NOT LISTED ARE AVAILABLE UPON REQUEST