

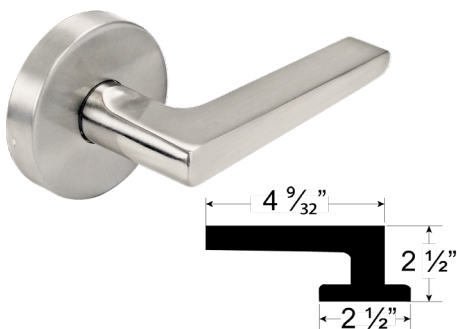
# CONTEMPORARY SERIES LEVERSETS & DEADBOLTS



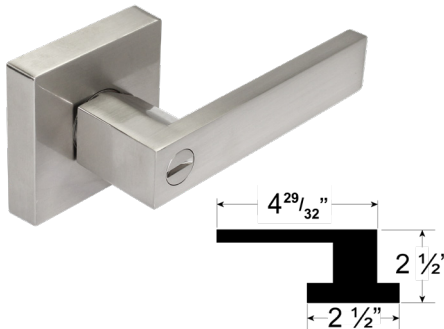
## Grade 3

ANSI Standard A156.2 Leversets, ANSI Standard A156.36 Deadbolt

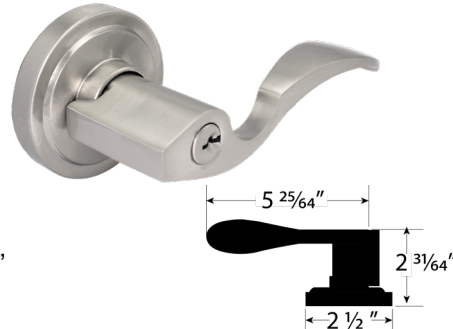
5 Year Finish Warranty  
25 Year Mechanical Warranty



**\*ATLAS DESIGN**  
"ATL" SERIES



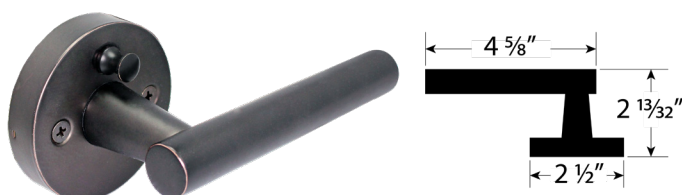
**HOLLAND DESIGN**  
"HOL" SERIES



**JUPITER DESIGN**  
"JUP" SERIES



**\*PHOENIX DESIGN**  
"PHO" SERIES



**\*VANITY DESIGN**  
"VAN" SERIES

	00-ENTRANCE (Turn Button)	20-PRIVACY (Push Button)	30-PASSAGE	40-DUMMY
*ATL		●	●	●
HOL	●	●	●	●
JUP	●	●	●	●
*PHO	●	●	●	●
*VAN		●	●	●

*\*Auto-Release for immediate egress on privacy functions.*

- Kwikset 5-Pin Keyway.  
Re-keyable for Master and construction keying
- Fits 1 3/8" to 1 3/4" Thick Doors ( wood and metal doors )
- Adjustable steel 2 3/8" or 2 3/4" backset,  
Size 1" x 2 1/4" Round Corner ( Standard )

- Square Corner Option and Drive-In Latch bolt also Available on Special Factory Order
- Round Corner Full Lip Strike: 1 3/4" x 2 1/4", Optional T-Strike
- 1" Bore Diameter for Latch, 2 1/8" Diameter for Lock Housing
- Keyed Entry Comes with Lever / Lever for Exterior and Interior
- Easy Installation
- Available in architectural finishes  
**US3** ( Bright Brass ), **US5** ( Antique Brass ), **US15** ( Satin Nickel ),  
**US15A** ( Antique Nickel ), **US10B** ( Oil Rubbed Bronze ),  
**US26D** ( Satin Chrome ), **US26** ( Polished Chrome ).  
*Refer to price list for stock finishes.*



**ESQUIRE DESIGN**  
"ESQ" SERIES  
( Non-Handed )

- Single Cylinder Deadbolt ( **ESQ-101** )  
Double Cylinder Deadbolt ( **ESQ-102** )
- Kwikset 5-Pin Keyway. Re-keyable for Master and construction keying
- Adjustable latch bolt 2 3/8" or 2 3/4"
- 1" x 1 1/4", face plate round corner
- Security Strike: 1 3/4" x 2 1/4", 1/4" Radius
- Available in architectural finishes **US3**, **US5**, **US15**, **US15A**,  
**US10B**, **US26D**, **US26**. *Refer to price list for stock finishes.*