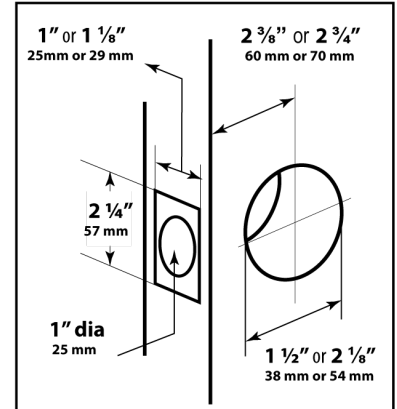
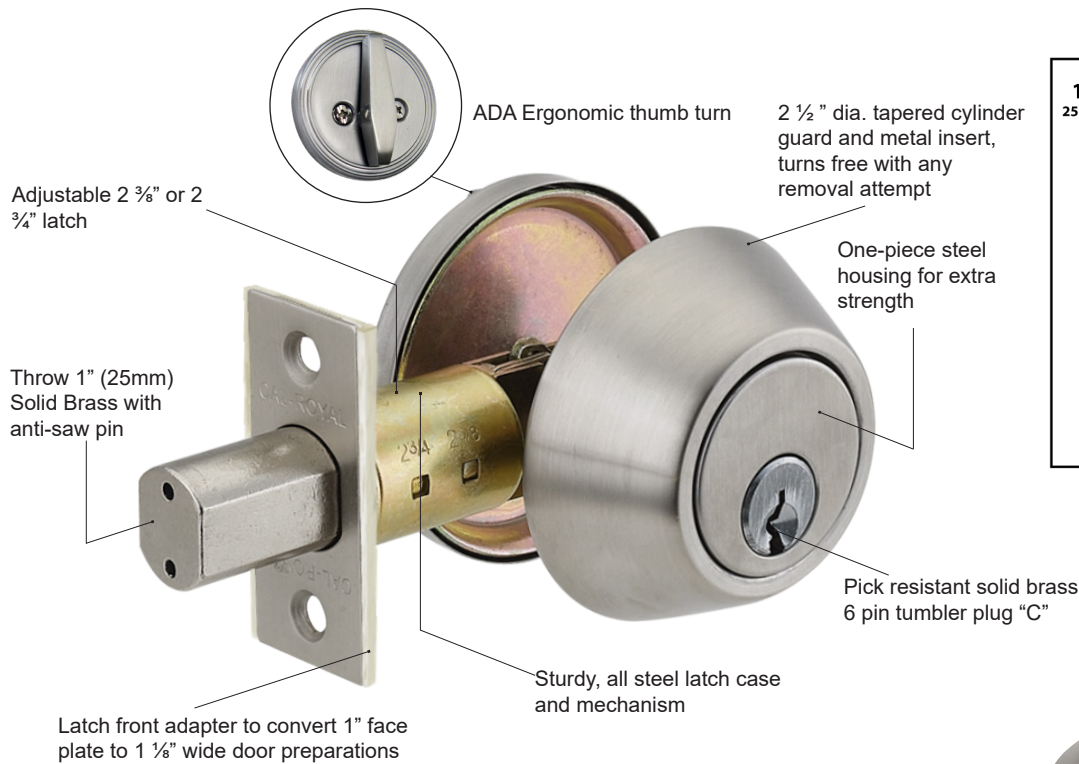
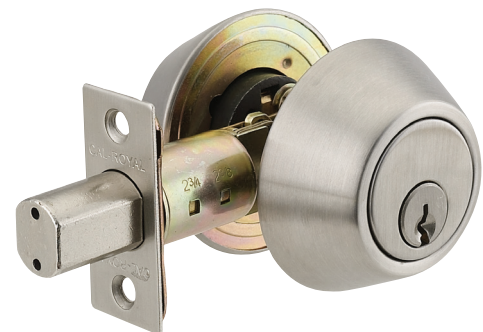
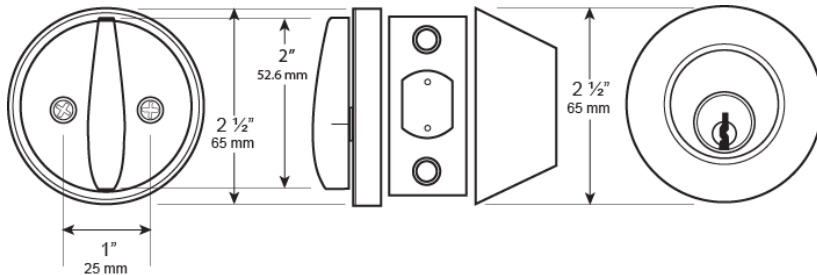


LSD STANDARD DUTY DEADBOLTS
FOR LIGHT COMMERCIAL AND RESIDENTIAL APPLICATIONS

Conforms with ANSI A156.36
Grade 3, Exceeds 100,000 cycles



LSD01
SINGLE CYLINDER



LSD88
DOUBLE CYLINDER

SPECIFICATIONS

TRIM

Wrought Brass or Stainless Steel.

BACKSET

Adjustable 2 3/8" or 2 3/4".

DEADBOLT FACEPLATE

Standard 2 1/4" x 1". Packed with 1/8" plastic filler to convert 1" face plate to 1 1/8" wide door preparations.

DOOR RANGES

Adjustable 1 3/8" (35mm) to 1 3/4" (45mm) door thickness.

BORE DIAMETER

1" for latch, 1 1/2" or 2 1/8" for lock housing.

KEYWAYS

6 pin solid brass "C" keyway standard. Optional Schlage E, Schlage C-K, Russwin D1-2-3-4, Corbin 59 / 60, Corbin-Russwin L4, Sargent LA-LB-LC, Falcon / Weiser E, Arrow A, Yale 8, Yale GA and Kwikset. Can also accept Medeco, Assa, Kaba and Cal-Royal (HSK) High Security Cylinders.

STRIKE

1 1/8" x 2 3/4" square corner.

FINISHES

LSD SERIES is available in stock in US32D, 26, 26D, 10B, US3 and US15 finishes. Refer to price list for other stock finishes and functions.