

HIL SERIES
INTERCONNECTED LOCKS

4" CTC BORE

ANSI A156.12 GRADE 2

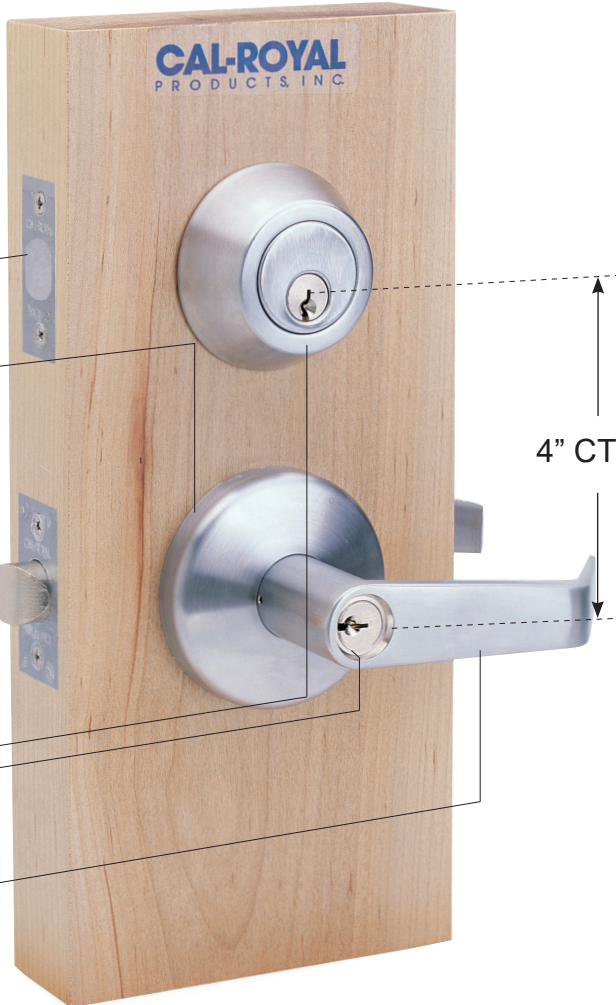
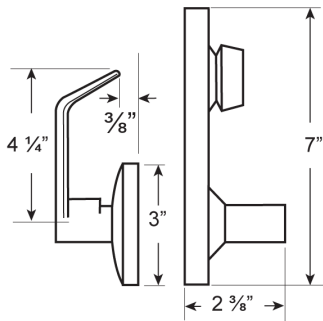


LIFETIME WARRANTY

MEETS
The Buy American Act

Meets ADA requirements
Specially designed for Barrier Free Application
Conforms with ANSI A156.12 Series 5000,
Grade 2, Exceeds 400,000 cycles

- 1" (25mm) Throw deadbolt with concealed hardened steel roller
- Unique individual spring on exterior and interior side of lever to prevent lever sag
- 1/2" (13mm) Throw universal deadlatch reversible RH / LH, adjustable front for flat or beveled doors. UL Listed 3 Hour Rated
- Precision solid brass 6-pin "C" keyway.
- Available with Small Format Interchangeable Core on deadbolt and lever
- Key removable diecast lever for quick re-keying or cylinder replacement



4" CTC



Available with Interchangeable Core on deadbolt and lever.



Available with Interchangeable Core on deadbolt and lever.



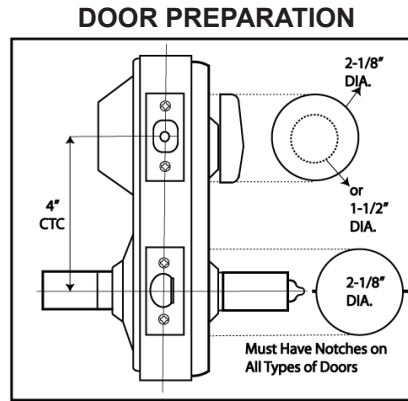
Available with Interchangeable Core on deadbolt and lever.

HIL SERIES FINISHES, FUNCTIONS AND SPECIFICATIONS



FINISHES AVAILABLE		
BHMA SYMBOL	US CODE	DESCRIPTION
605	US3	Polished Brass
606	US4	Satin Brass
609	US5	Antique Brass
612	US10	Satin Bronze
613	US10B	Oil Rubbed Bronze
619	US15	Satin Nickel
625	US26	Polished Chrome
626	US26D	Satin Chrome

Refer to price list for stock finishes and functions



LIFETIME WARRANTY



SPECIFICATIONS

GENERAL SPECIFICATIONS: Simultaneous retraction on both latch and deadbolts from inside by turning the lever in a panic-proof exit situation. Top lock is heavy duty deadbolt with the bottom lock having a cylindrical body. High security with a double locking point using the keyed lock function.

ANSI STANDARDS: Meet ANSI A156.12 Series 5000 Grade 2 Requirements.

CYLINDER & KEYWAY: 6 pin solid brass "C" keyway, Schlage E, Schlage C-K, Russwin D1-2-3-4, Corbin 59 / 60, Sargent LA-LB-LC, Falcon / Weiser E, Arrow A, Yale 8, Yale GA and Kwikset. Can also accept Medeco, Assa, Kaba and Cal-Royal (HSK) High security Cylinders.

SMALL FORMAT INTERCHANGEABLE CORE: Interchangeable Core Locks will accept compatible 6 or 7 pin cores with **BEST, FALCON & ARROW**. Prefix "IC" before part number. Available combined or uncombined. Temporary construction cores and factory keying with control key & master key available.

TRIM: HIL, ASTOR, DOVER and MANHATTAN designs. Refer to picture in front page. Lever length is 4 1/4".

STRIKES: Standard "T" strike furnished with lockset. 2 3/4" x 1 1/8" square strike with deadbolt.

ESCUTCHEON: 2 11/16" x 7" brass plated. Packed with interior escutcheon. Optional external escutcheon available.

FUNCTIONS: Classroom, Storeroom and Dummy available upon request.

DEADBOLT: 1" Throw. **UL-Listed** Adjustable 2 3/4" or 2 5/8" Brass with hardened steel pin. Standard 2 1/4" x 1" face plate, packed with plastic filler for 1 1/8" door preparations.

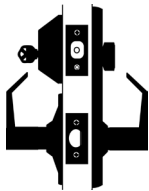
LATCH BOLT: 1/2" Throw. **UL-Listed** for 3 hour doors. 2 3/4" standard backset.

LATCH FACEPLATE: Standard 2 1/4" x 1 1/8" for 2 3/4" backset. 2 1/4" x 1" for 2 5/8" backset optional.

DOOR RANGE: 1 3/8" – 1 3/4" door thickness.

HOUSING: Steel and Zinc dichromate finish for rust resistance.

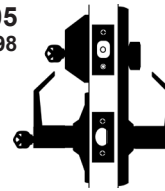
HIL30
ICHIL30
ANSI: F95



SINGLE LOCKING, ENTRANCE (PASSAGE LEVER)

Deadbolt thrown or retracted by key in upper lock from outside or by inside turn unit. Latch bolt retracted by lever from either side. Lever retracts deadbolt and latch bolt simultaneously for immediate exit.

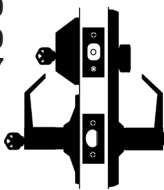
HIL05
ANSI: F98



DOUBLE LOCKING, STOREROOM

Deadbolt thrown or retracted by key in upper lock from outside or by inside turn unit. Deadlocking latch bolt is operated by key in outside lever or by turning inside lever. Inside lever retracts deadbolt and latch bolt simultaneously for immediate exit. Outside lever is always fixed.

HIL00
ICHIL00
ANSI: F97



DOUBLE LOCKING, ENTRANCE (ENTRANCE LEVER)

Deadbolt thrown or retracted by key in upper lock from outside or by inside turn unit. Dead latch retracted by key in outer when locked by pushing turn button in inner lever. Outer lever may be fixed in locked position by rotating turn button. Turning inside lever retracts deadbolt and latch bolt simultaneously for immediate exit.

OTHER FUNCTIONS NOT LISTED ARE AVAILABLE UPON REQUEST

● Indicates **deadbolts** that are available with a Small Format Interchangeable Core. Interchangeable Core deadbolts will accept compatible 6 or 7 pin Core with Best, Falcon and Arrow. Prefix "IC" before part number.

●● Available with Small Format Interchangeable Core on **deadbolt and lever**.

HOW TO ORDER:
When ordering HIL AST design, replace design name.
Example:
HIL00 in AST is HILAST00