

BB5200

FULL MORTISE TEMPLATE BUTT HINGES

Size

- 4.5" x 4.5"

Features

- Heavy Weight
- Also available with **NRP** option

Material

- Steel, Stainless Steel, Brass

Finishes

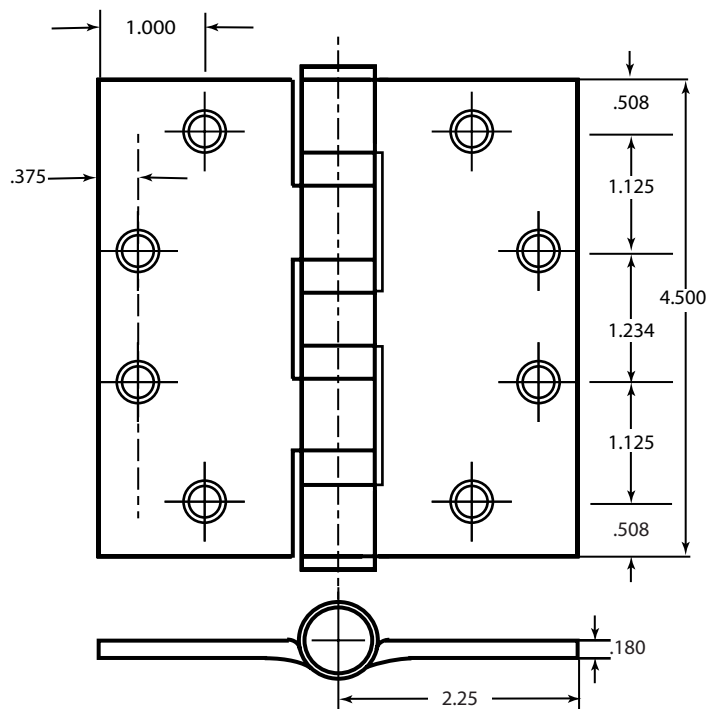
- USP Prime Coat
- US3 Polished Brass
- US4 Satin Brass
- US10 Satin Bronze
- US10A Antique Bronze
- US10B Oil Rubbed Bronze
- **US15 Satin Nickel**
- US26 Polished Chrome
- US26D Satin Chrome (NRP Only)
- US32D Satin Stainless Steel (NRP Only)
- US1 Black (NRP Only)

Fasteners

- Machine Screws: 1/2" x 12-20 FH
- Wood Screws: 1 x 12" FH

Code Compliance

- Conforms to ANSI A156.1 Standards
 - **Brass** ANSI A2111
 - **Stainless Steel** ANSI A5111 with stainless steel pin
 - **Steel** with steel pin ANSI A8111



CAL-ROYAL PRODUCTS, INC.

6605 Flotilla St., City of Commerce, CA 90040 U.S.A.
 Phone: (323) 888-6601 • (800) 876-9258 • Fax: (323) 888-6699 • (800) 222-3316
 Email: sales@cal-royal.com • Website: www.cal-royal.com

The illustration and technical description in this cut sheet is current as of the date in the version date on the right. Cal-Royal Product reserves the right to, and may, on occasions, make changes and/or improvements in designs and dimensions without prior notice.

VERSION
2023.1.0

SBBB5200

STAINLESS STEEL BASED, 4 BALL-BEARING HINGES

Size

- 4.5" x 4.5"

Features

- Heavy Weight
- Also available with **NRP** option

Material

- Steel, Stainless Steel, Brass

Finishes

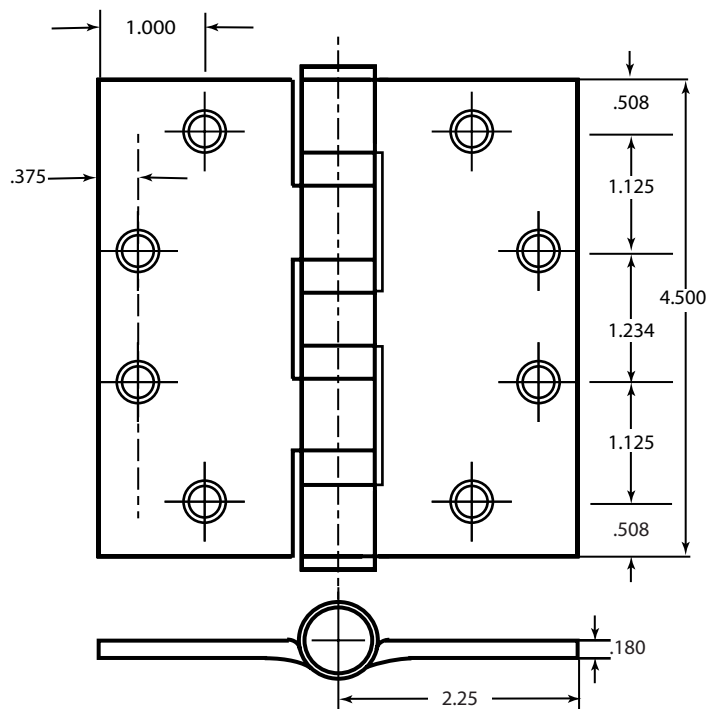
- US10A Antique Bronze
- US10B Oil Rubbed Bronze
- US10BNRP Oil Rubbed Bronze
- **US15 Satin Nickel**
- **US26 Polished Chrome**

Fasteners

- Machine Screws: 1/2" x 12-20 FH
- Wood Screws: 1 x 12" FH

Code Compliance

- Conforms to ANSI A156.1 Standards
 - **Brass** ANSI A2111
 - **Stainless Steel** ANSI A5111 with stainless steel pin
 - **Steel** with steel pin ANSI A8111



CAL-ROYAL PRODUCTS, INC.

6605 Flotilla St., City of Commerce, CA 90040 U.S.A.
 Phone: (323) 888-6601 • (800) 876-9258 • Fax: (323) 888-6699 • (800) 222-3316
 Email: sales@cal-royal.com • Website: www.cal-royal.com

The illustration and technical description in this cut sheet is current as of the date in the version date on the right. Cal-Royal Product reserves the right to, and may, on occasions, make changes and/or improvements in designs and dimensions without prior notice.

VERSION
2023.1.0

BB5210

FULL MORTISE TEMPLATE BUTT HINGES

Size

- 5 x 4.5"

Features

- Heavy Weight
- Also available with **NRP** option

Material

- Steel, Stainless Steel, Brass

Finishes

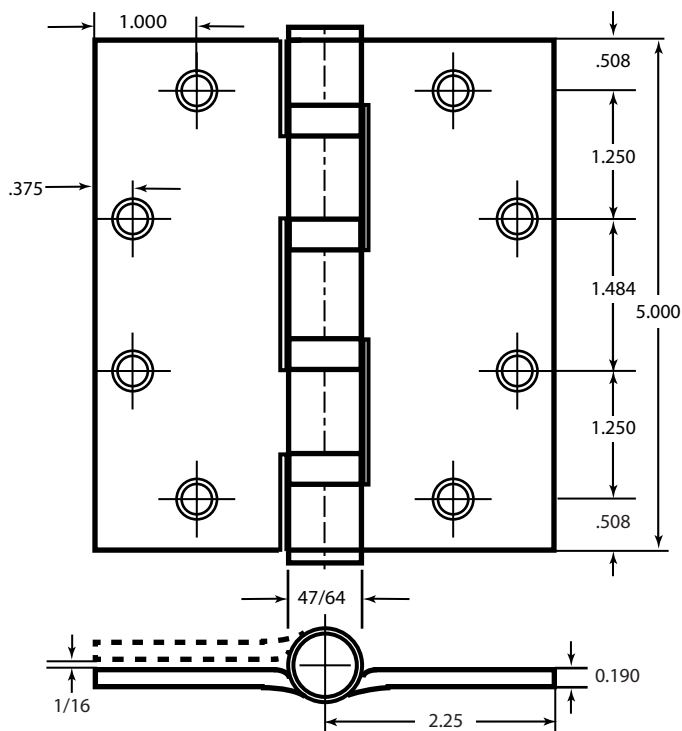
- USP Prime Coat
- US3 Polished Brass
- US4 Satin Brass
- US10 Satin Bronze
- US10A Antique Bronze
- US10B Oil Rubbed Bronze
- **US15 Satin Nickel**
- US26 Polished Chrome
- US26D Satin Chrome
- US32D Satin Stainless Steel

Fasteners

- Machine Screws: 1/2" x 12-20 FH
- Wood Screws: 1 x 12" FH

Code Compliance

- Conforms to ANSI A156.1 Standards
 - **Brass** ANSI A2111
 - **Stainless Steel** ANSI A5111 with stainless steel pin
 - **Steel** with steel pin ANSI A8111



CAL-ROYAL PRODUCTS, INC.

6605 Flotilla St., City of Commerce, CA 90040 U.S.A.
 Phone: (323) 888-6601 • (800) 876-9258 • Fax: (323) 888-6699 • (800) 222-3316
 Email: sales@cal-royal.com • Website: www.cal-royal.com

The illustration and technical description in this cut sheet is current as of the date in the version date on the right. Cal-Royal Product reserves the right to, and may, on occasions, make changes and/or improvements in designs and dimensions without prior notice.

VERSION
2023.1.0

SBBB5210

STAINLESS STEEL BASED, 4 BALL-BEARING HINGES

Size

- 5 x 4.5"

Features

- Heavy Weight

Material

- Steel, Stainless Steel, Brass

Finishes

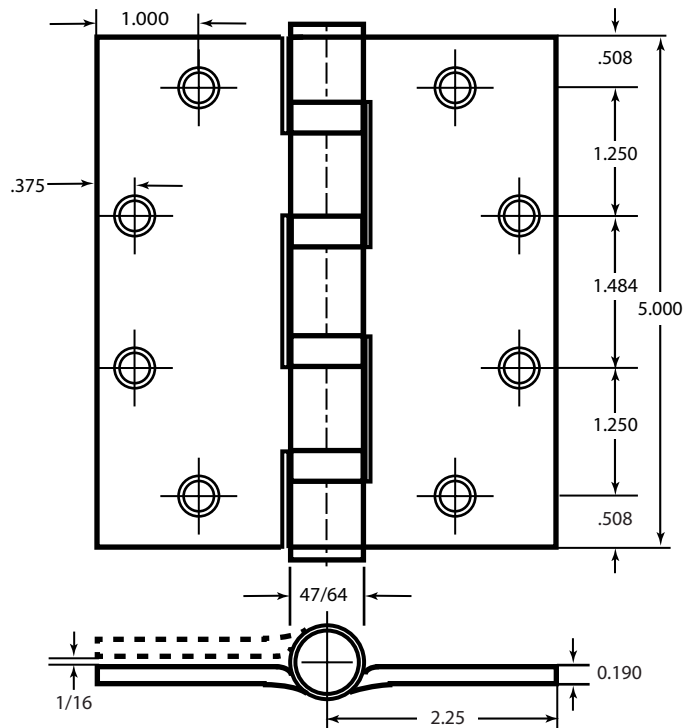
- US15 Satin Nickel
- US26 Polished Chrome

Fasteners

- Machine Screws: 1/2" x 12-20 FH
- Wood Screws: 1 x 12" FH

Code Compliance

- Conforms to ANSI A156.1 Standards
 - **Brass** ANSI A2111
 - **Stainless Steel** ANSI A5111 with stainless steel pin
 - **Steel** with steel pin ANSI A8111



CAL-ROYAL PRODUCTS, INC.

6605 Flotilla St., City of Commerce, CA 90040 U.S.A.
 Phone: (323) 888-6601 • (800) 876-9258 • Fax: (323) 888-6699 • (800) 222-3316
 Email: sales@cal-royal.com • Website: www.cal-royal.com

The illustration and technical description in this cut sheet is current as of the date in the version date on the right. Cal-Royal Product reserves the right to, and may, on occasions, make changes and/or improvements in designs and dimensions without prior notice.

VERSION
2023.1.0