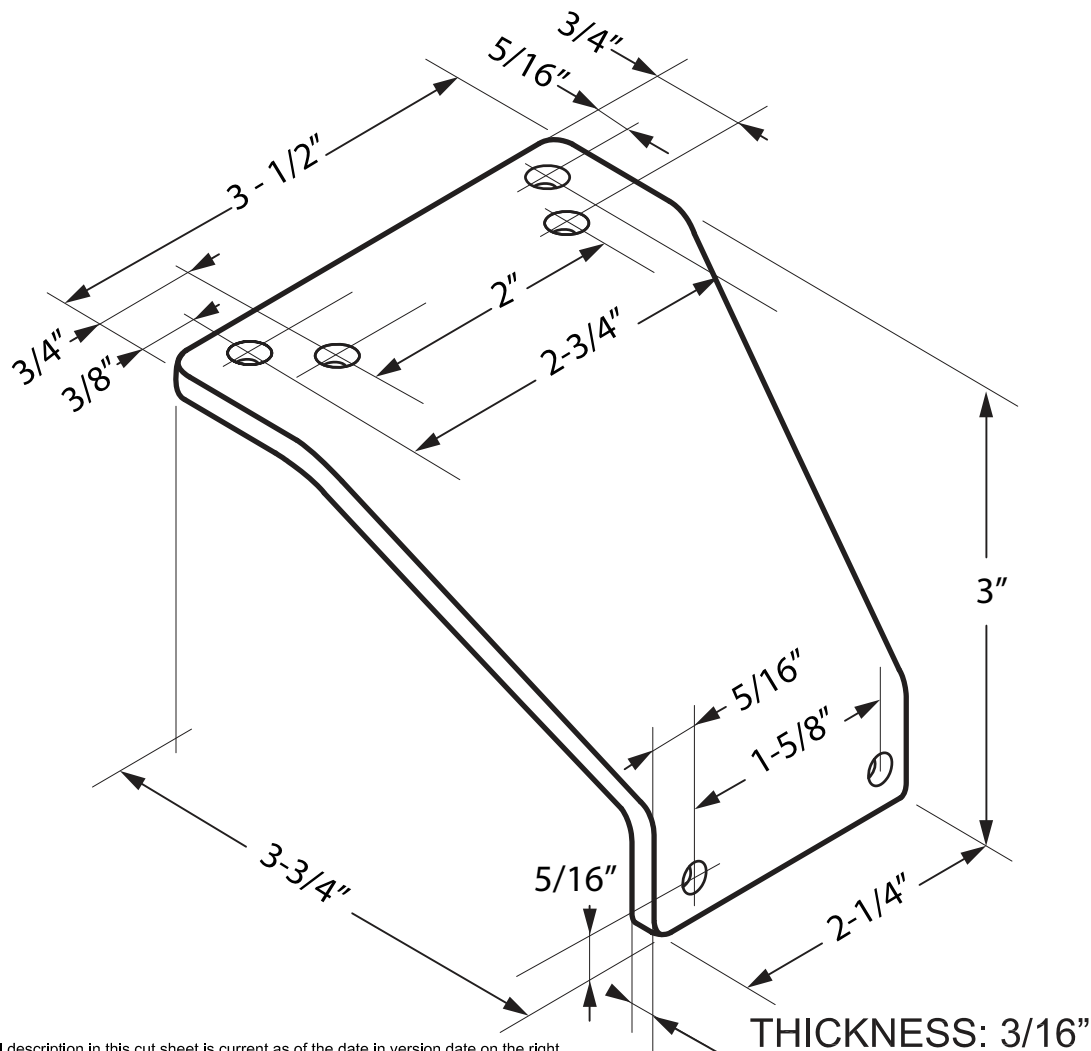


Minimum door rail for mounting closer 7-3/8" (5/8" stop shown)  
 Minimum door rail to bottom of cover 7-3/4" (5/8" stop shown)  
 Backcheck positioning valve in "ON" position



The illustration and technical description in this cut sheet is current as of the date in version date on the right.  
 Cal-Royal Product reserves the right to, and may, on occasions, make changes and/or improvements in designs and dimensions without prior notice.

	6605 Florilla Street City of Commerce CA 90040 USA Tel.# (323) 888-6601 FAX # (323) 888-6699 WEB SITE: CAL-ROYAL.COM Email: sales@cal-royal.com	ITEM NO.	DESCRIPTION	NOT TO SCALE	UNIT	Prepared By:	DATE	DWG. NO.
		904	PARALLEL ARM DROP BRACKET	PAGE 1 of 1	PRIMARY DIMENSION SHOWN IN INCHES, DIMENSIONS IN ( ) ARE MM	BBT / AED / CVL	06/30/2022	DCT 1040
								REV -----