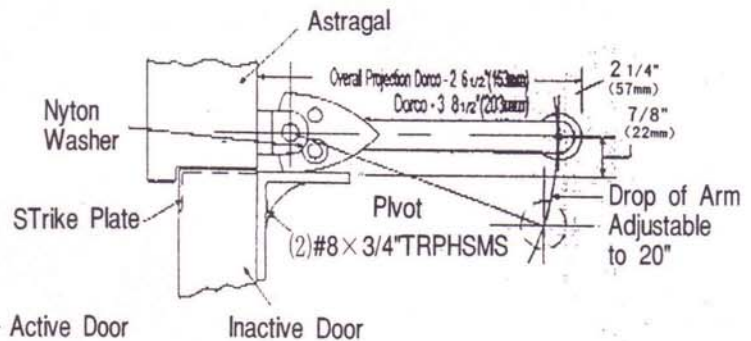
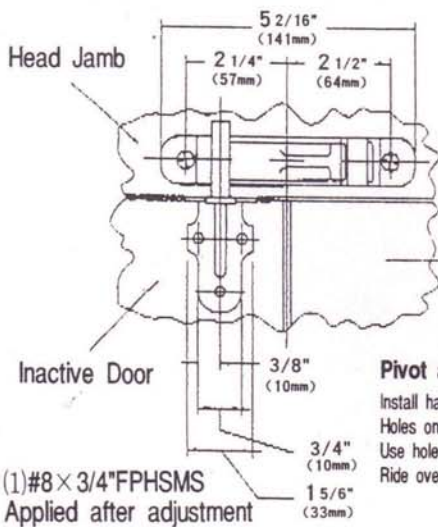
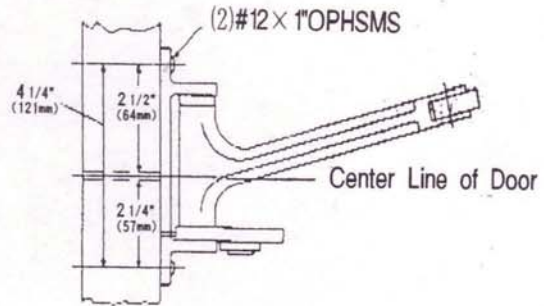
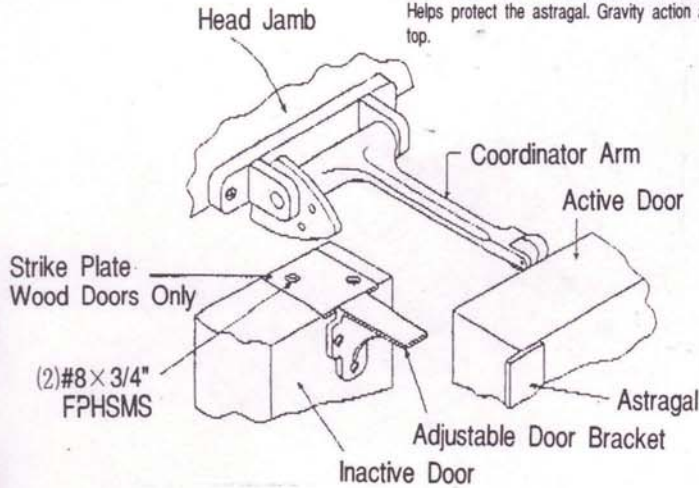


Installation Instruction for Dorco-2 (6 1/2" Projection) Dorco-3 (8 1/2" Projection) Fire Door Coordinators

Coordinating Device for use on doors swinging in pairs with
Or without overlapping astragal, Non-handed. Holds active
Door, preventing it from closing before the inactive door.
Helps protect the astragal. Gravity action arm adjustable on
top.



Pivot and Washer installation

Install half-threaded pivot and nylon washer into drilled and tapped
Holes on outside of Cor short arm
Use hole nearest top of door, so when installed, nylon washer will
Ride over strike plate as inactive door closes

Screw Details

	QTY	
Coordinator	2	10.24 x 1" URPHMS
	2	10 x 1" OPHSMS
Door Bracket	3	8 x 1" FPHSMS
Strike Plate	2	8 x 1" FPHSMS