

DOUBLE-ACTING RESIDENTIAL FLOOR SPRING HINGE DAFH8

Features

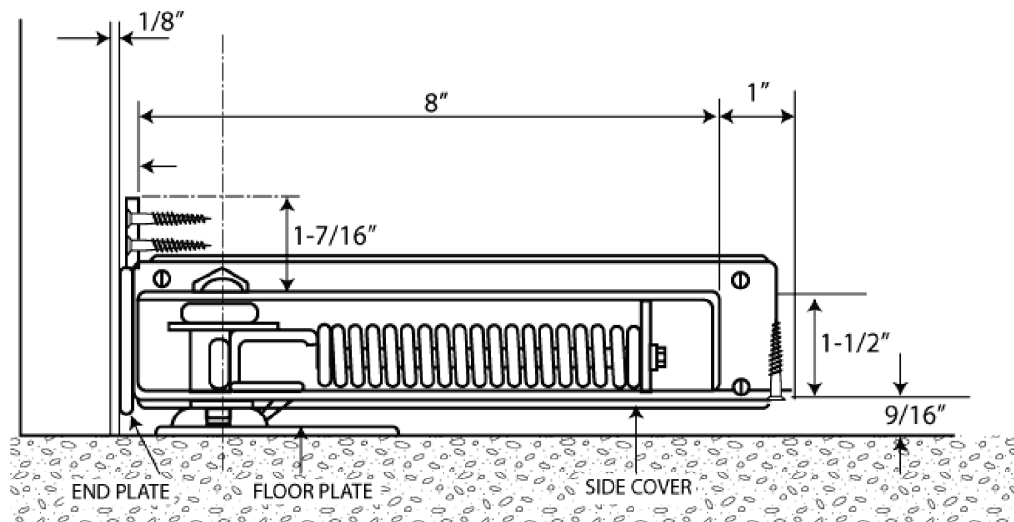
- Malleable iron and steel mechanism
- Steel trim
- Double acting spring tension
- Heavy duty ball bearing type with 90° Hold Open
- Can hold doors up to 90 lbs.
- Door range: 1-1/8" – 1-3/4"

Door Range

- 1-1/8" – 1-3/4"

Finishes

- US3 - Bright Brass
- US5 - Satin Brass, Oxidized
- US10B - Antique Bronze, Oiled
- US15 - Satin Nickel
- US26D - Satin Chrome



CAL-ROYAL PRODUCTS, INC.

6605 Flotilla St., City of Commerce, CA 90040 U.S.A.

Phone: (323) 888-6601 • (800) 876-9258 • Fax: (323) 888-6699 • (800) 222-3316

Email: sales@cal-royal.com • Website: www.cal-royal.com

The illustration and technical description in this cut sheet is current as of the date in the version date on the right. Cal-Royal Product reserves the right to, and may, on occasions, make changes and/or improvements in designs and dimensions without prior notice.

2024/01
YEAR PRINTED
VERSION NO 7

© Cal-Royal Products, Inc. 2024

DOUBLE-ACTING FLOOR SPRING HINGE DAFH8-Y

Features

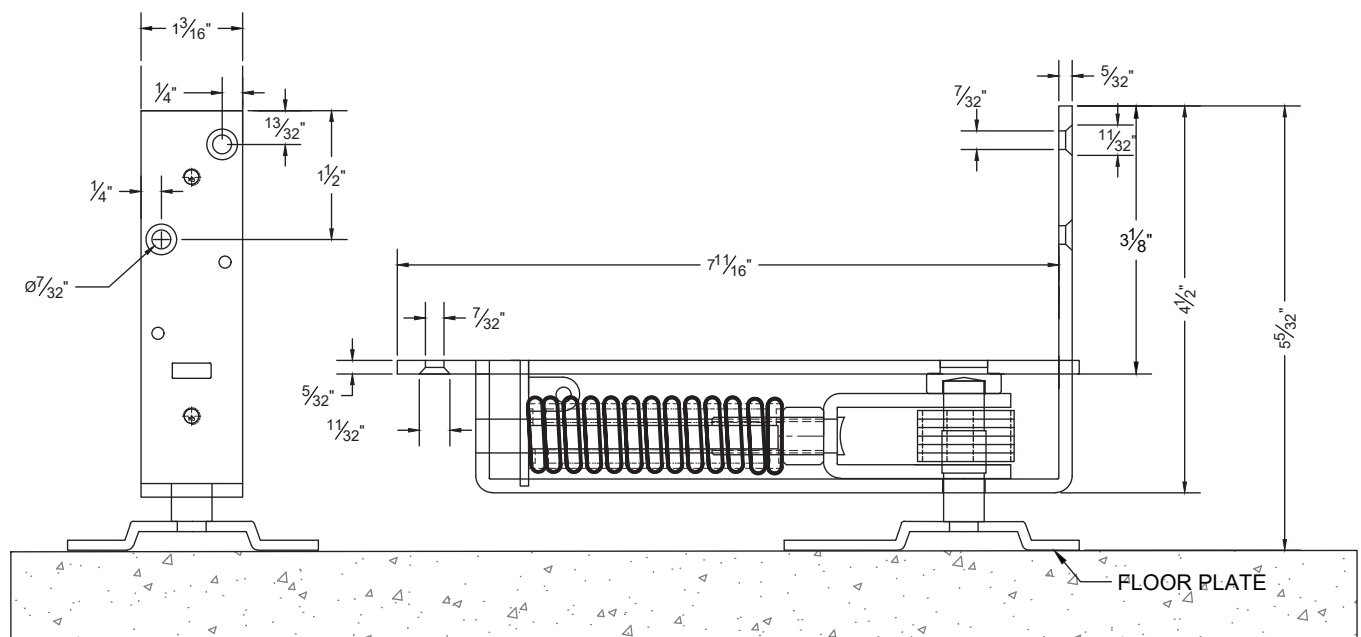
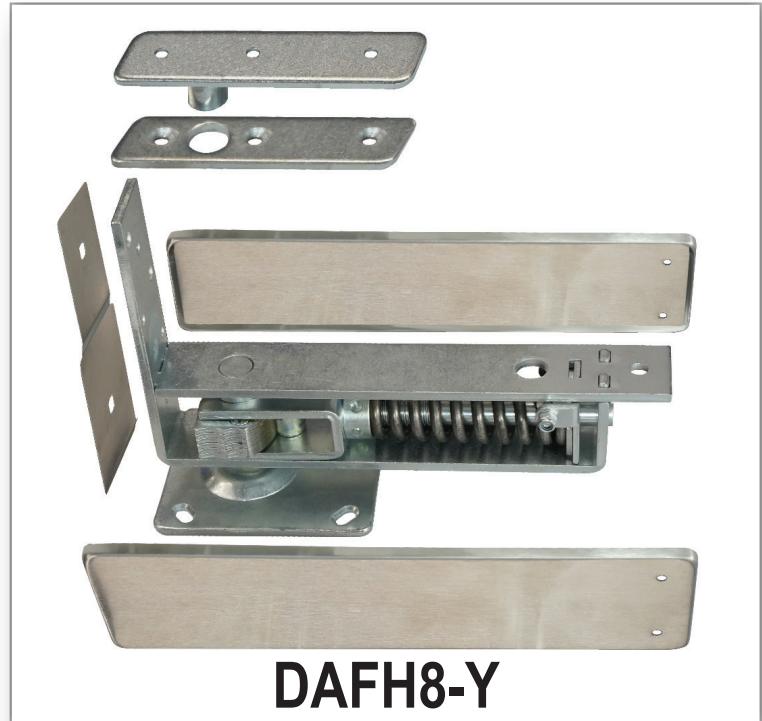
- Malleable iron and steel mechanism
- Steel trim
- Double acting spring tension
- Heavy duty ball bearing type with 90° Hold Open
- Can hold doors up to 90 lbs.
- Door range: 1-1/4" – 1-3/4"

Door Range

- 1-1/4" – 1-3/4"

Finishes

- US3 - Bright Brass
- US5 - Satin Brass, Oxidized
- US10B - Antique Bronze, Oiled
- US15 - Satin Nickel
- US26D - Satin Chrome



CAL-ROYAL PRODUCTS, INC.

6605 Flotilla St., City of Commerce, CA 90040 U.S.A.

Phone: (323) 888-6601 • (800) 876-9258 • Fax: (323) 888-6699 • (800) 222-3316

Email: sales@cal-royal.com • Website: www.cal-royal.com

The illustration and technical description in this cut sheet is current as of the date in the version date on the right. Cal-Royal Product reserves the right to, and may, on occasions, make changes and/or improvements in designs and dimensions without prior notice.

2024 01
YEAR PRINTED

© Cal-Royal Products, Inc. 2024