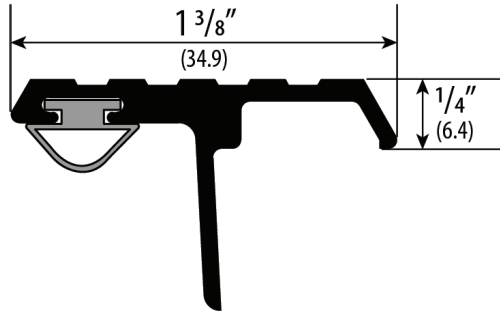


**T-ASTRAGAL**



- Packaging includes:
- 1 unit of Threshold
  - #6 x 1" PFHWS ( Standard )

ITEM #	DESCRIPTION	FINISH	EACH / LENGTH					PCS / MC	UNIT
			80"	84"	96"	108"	120"		
EAST-501	Aluminum T-Astragal with Vinyl Insert Profile Width: 1 3/8" (34.9mm) Profile Height: 1/4" (6.4mm)	AV						10	Ea.
		DV							

Available Finishes: **AV** (Mill Finish Aluminum with Vinyl Insert) |  
**DV** (Dark Bronze Anodized Aluminum with Vinyl Insert)

Specify: **Item # + Finish + "-" + Length** when ordering.

Example: **EAST-501AV-80** for EAST-501, AV Finish in 80" length

Testing/Ratings:

