

User's Guide

Security • Technology



ELECTRONIC DEADBOLT LOCK

IMPORTANT SAFETY INSTRUCTION

WARNING

1. Do not use any abrasives or any chemical products containing any substance of alcohol, benzene, hydrochloric acid or nitric acid, and avoid sharp or scratching objects to clean this lockset.
2. Do not let any water or liquid into lockset during installation process.

SAFETY INFORMATION

Please use four alkaline batteries for better performance.

1. Do not attempt to disassemble any internal components of the lockset personally. You may run the risk of voiding the limited warranty.
2. Do not drop or hit the lockset. Too much shock may result in permanent damage.
3. Do not use pin or sharp objects to press on keypad.
4. Always create a backup of information you want to keep (such as programming code and user codes). Please use the last page of this booklet as your reference.
5. Please change programming code before operating this lockset.

CARE AND MAINTENANCE

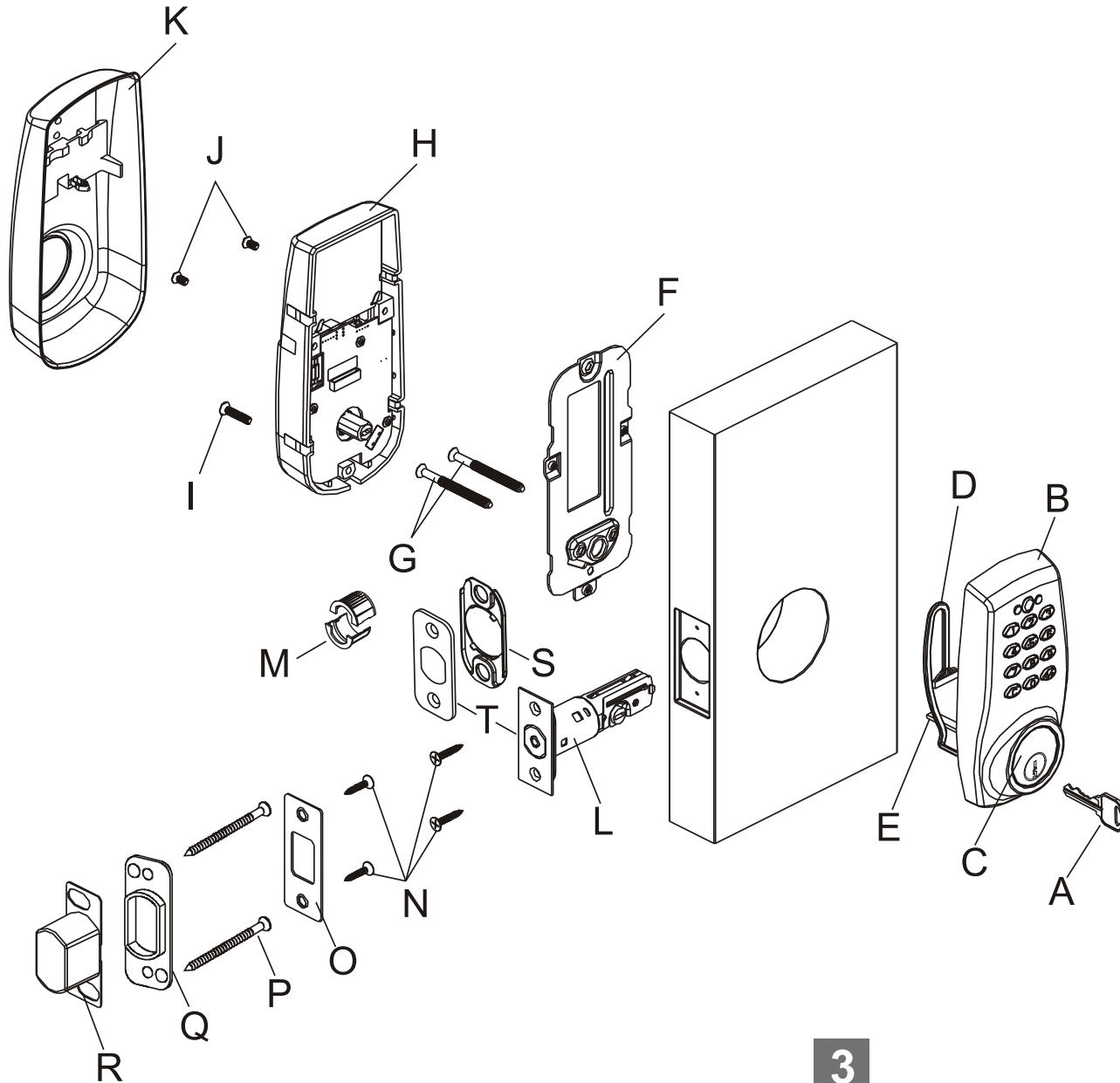
The following care instructions should be followed to ensure a long lasting finish:






1. Remove locks, or do not install locks, prior to painting your door.
2. Periodically clean with mild soap and a soft cloth only.

CONTENTS

COMPONENTS OF ELECTRONIC KEYPAD DEADBOLT	3
DOOR PREPARATION	4~8
INSTALLATION	9~19
OVERVIEW OF FUNCTIONS	20
CODES INFORMATION	21
SETTING MODE	
1. Automatic - Bolt direction determination	22
2. Change preset or current programming code	23
3. Add a new user code	24
4. Delete INDIVIDUAL existing user code	25
5. Delete ALL existing user codes at once	26
6. Restore factory setting	27
7. Auto locking function	28
OPERATION MODE	
1. Lock operation	29
2. Security mode	30
TROUBLESHOOTING GUIDE	31~34
DECLARATIONS AND SAFETY STATEMENTS	35
INFORMATION PAGE	36
WARRANTY PAGE	37

COMPONENTS OF ELECTRONIC KEYPAD DEADBOLT



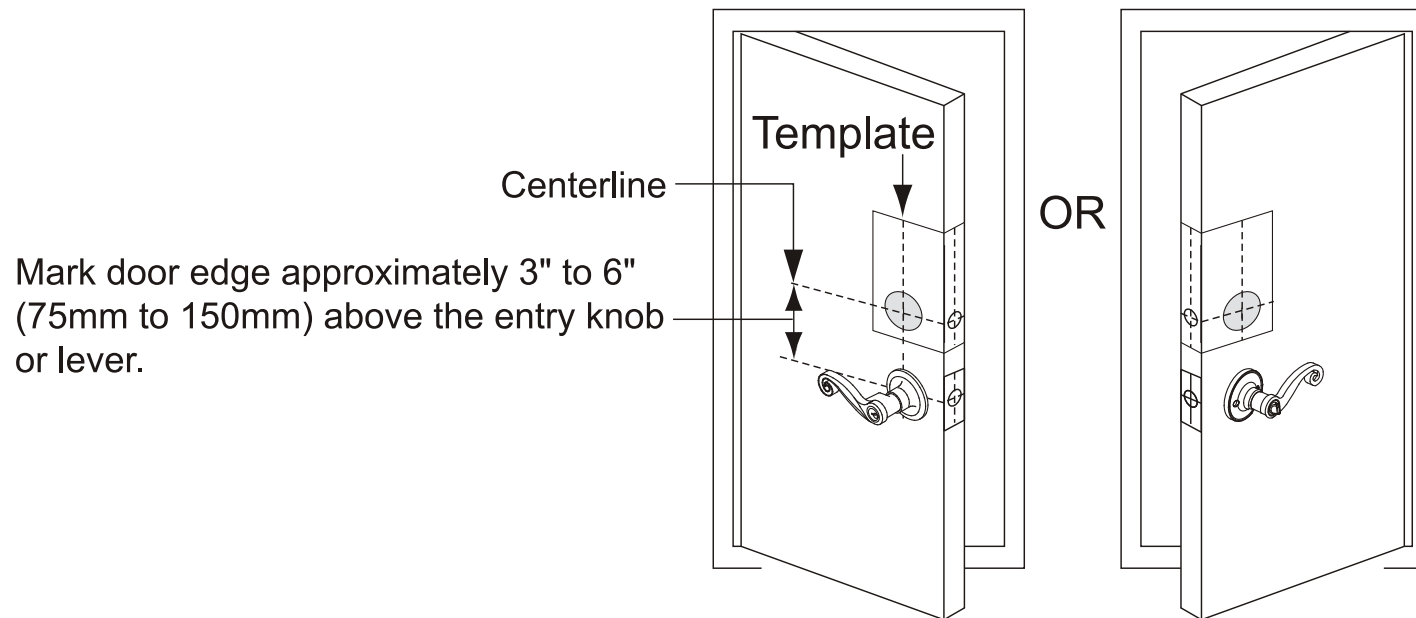
- A. Key (2)
- B. Exterior Assembly
- C. Cylinder
- D. Power Strip
- E. Tailpiece
- F. Mounting Plate
- G. 2-1/8" (54mm) Mounting Bolt (2)

- H. Interior Assembly
- I. 13/16" (20mm) Screw (1)

- J. 5/16" (7.8mm) Screw (2)

- K. Interior Cover
- L. Latch (Square or radius faceplate or drive-in)
- M. Drive in Collar (Optional)
- N. 3/4" (19mm) Wood Screw (4)

- O. Strike Plate
- P. 3" (76mm) Wood Screw (2)

- Q. Reinforced Strike Plate
- R. Dust Box
- S. Bottom Plate (Optional)
- T. Square or Radius Faceplate (Optional)

DOOR PREPARATION

1 MARK DOOR WITH TEMPLATE (ATTACHED SEPARATELY)

Note: If replacing an existing lock or installing in a pre-drilled door, begin with page 8.

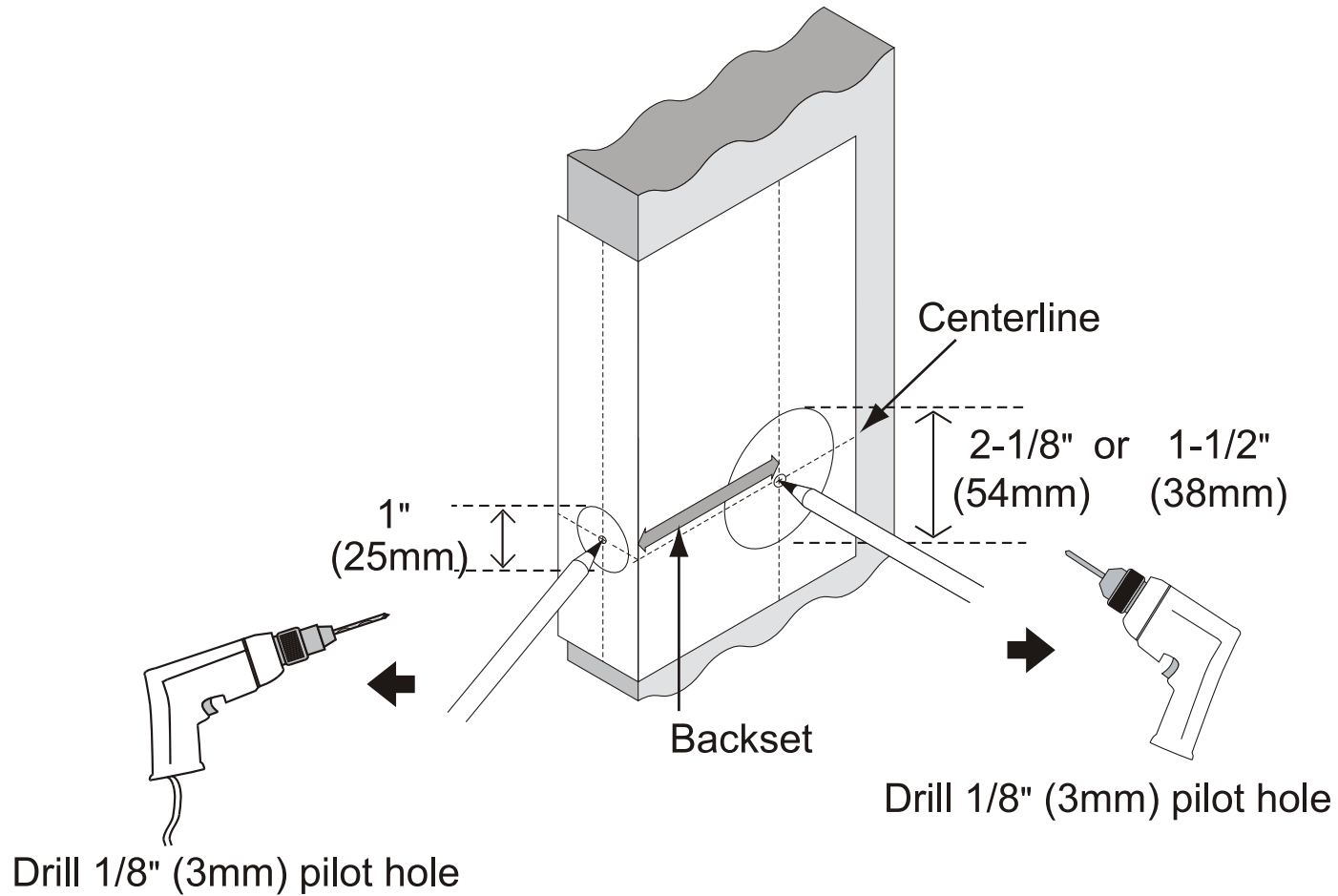
- Use TEMPLATE to mark centerline on door for deadbolt about 3" to 6" (75mm to 150mm) above the existing knob or lever.
- Stand so door swings towards you. Align template on centerline and fold template as shown.



DOOR PREPARATION

2 MARK AND DRILL PILOT HOLES

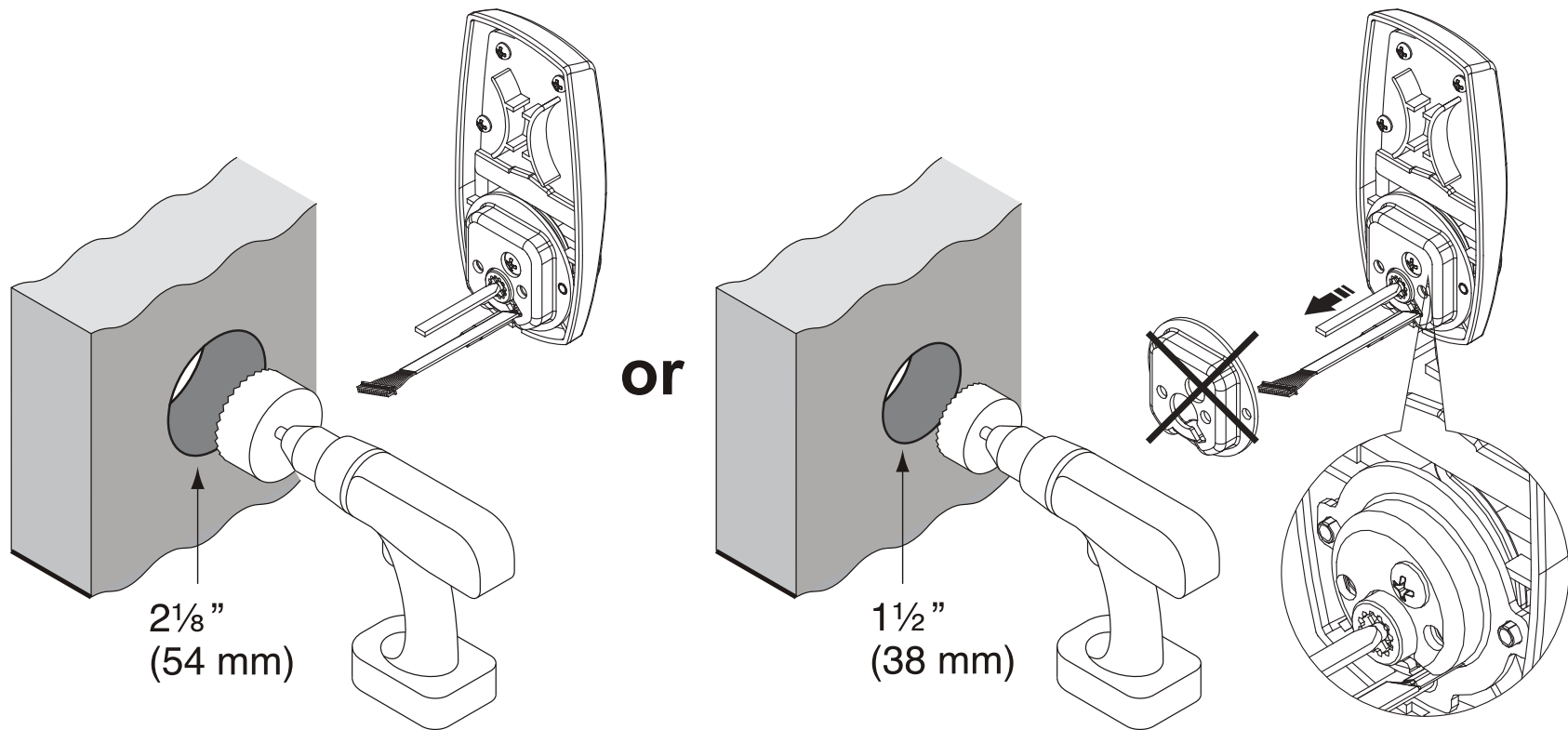
Select backset. Mark and drill pilot holes as shown.



DOOR PREPARATION

3-1 DRILL HOLES

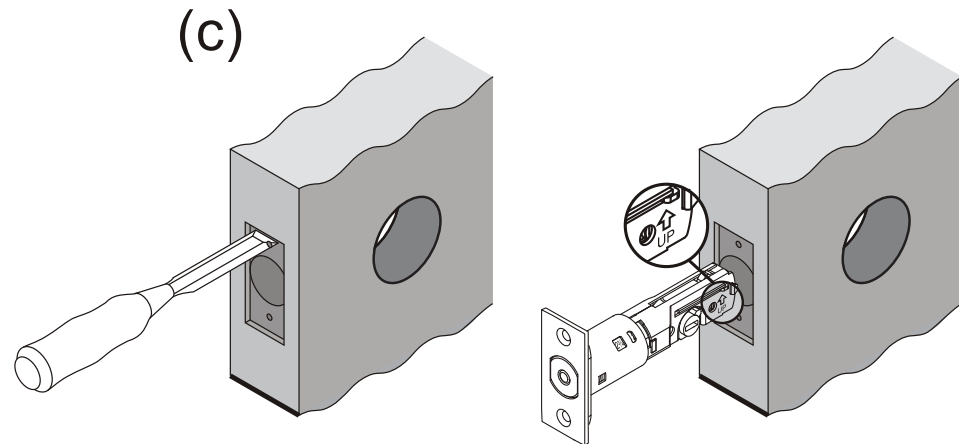
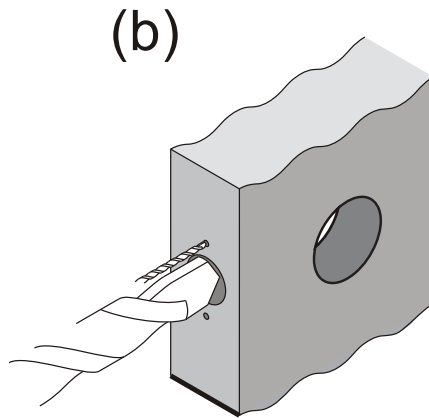
- Drill a 2-1/8" (54mm) or 1-1/2" (38mm) hole on the door face from both sides to avoid wood splitting.



DOOR PREPARATION

3-2 DRILL HOLES

- b. Drill a 1" (25mm) hole in the door edge for the latch.
- c. Use faceplate as a pattern for mortise and pilot holes. Chisel 1/8" (3mm) deep. Faceplate should fit flush.
- d. Install as shown for appropriate latch type. Ensure bevel faces door jamb.



Note: For drive-in latch, skip d. Simply insert latch.

DOOR PREPARATION

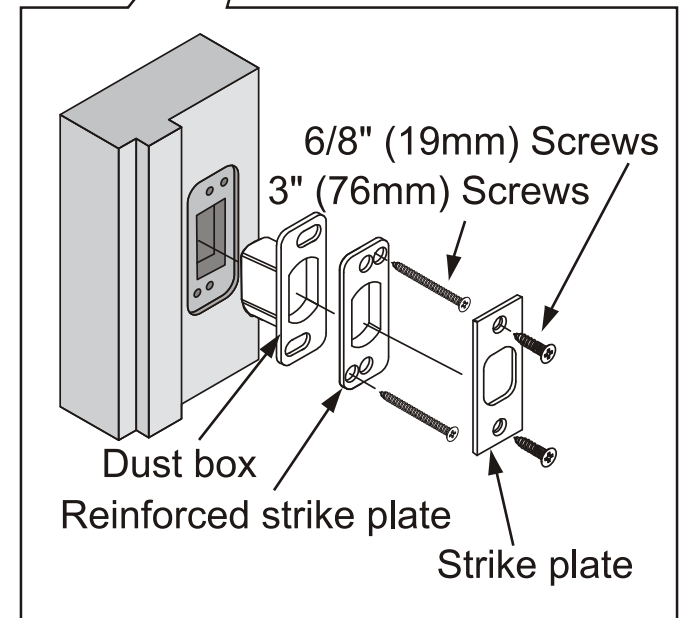
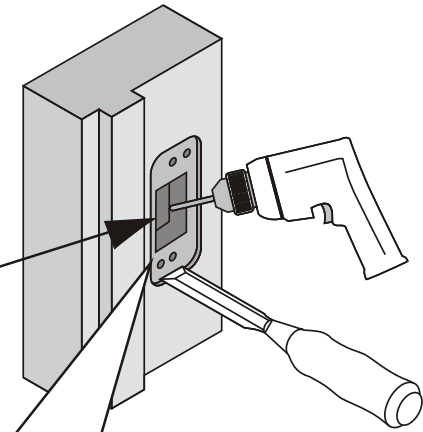
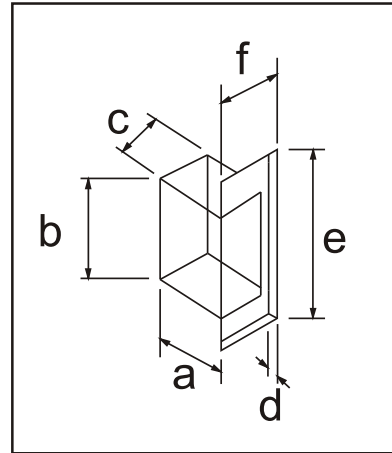
4 PREPARE DOOR JAMB AND INSTALL STRIKE PLATE

Door jamb hole dimension

- a. 1-3/16" (30mm)
- b. 1-9/16" (40mm)
- c. 1" (25mm)

Strike dimension

- d. 5/32" (4mm)
- e. 2-3/4" (70mm)
- f. 1-1/8" (28mm)



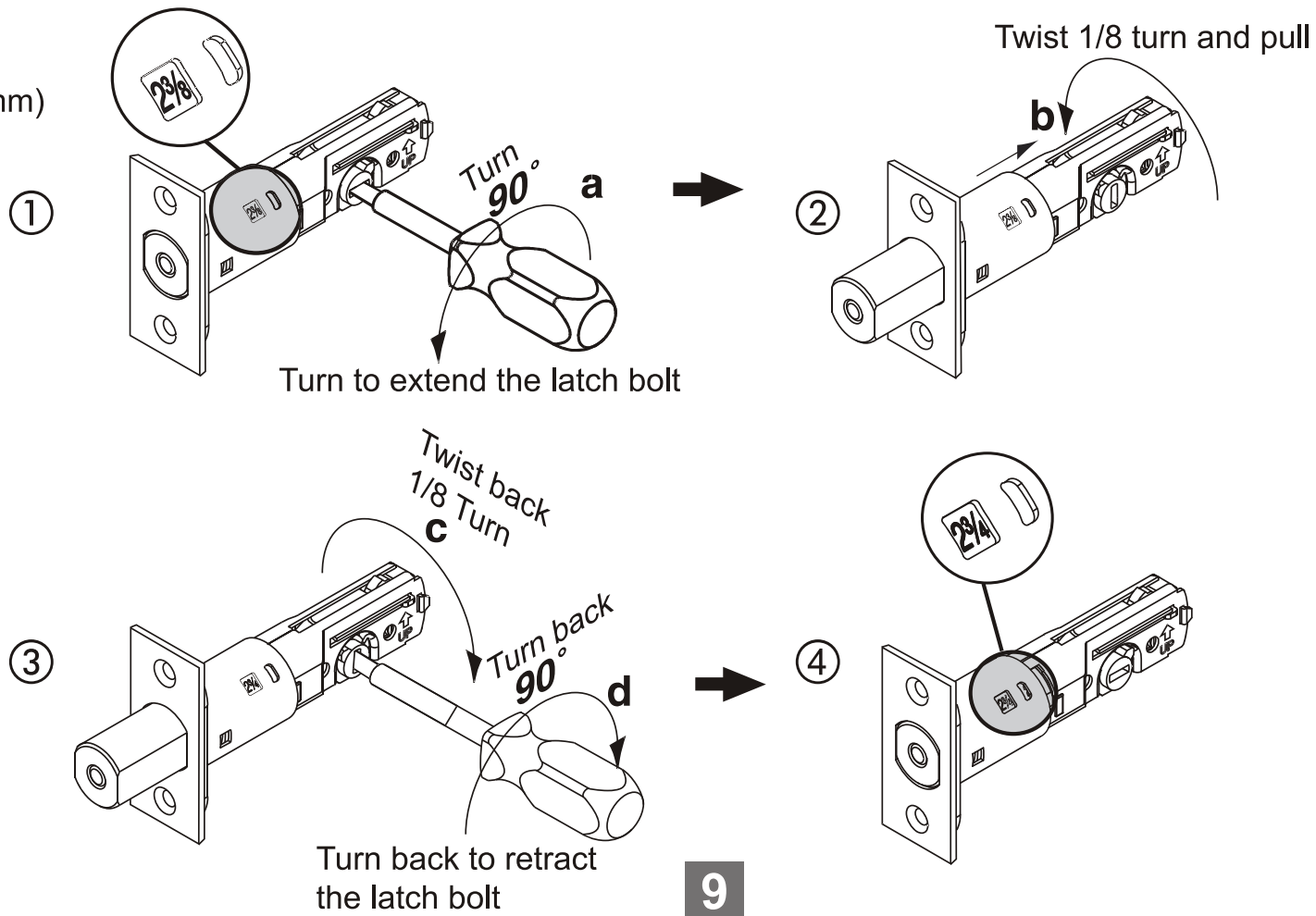
Note: The dust box and reinforced strike plate are optional. Recommend to install for maximum security.

INSTALLATION

1A LATCH BACKSET ADJUSTMENT

Latch backset adjustment only needs to be made if your door needs a 2-3/4" (70mm) backset. Please follow diagrams below as reference.
(Skip this if your door has a 2-3/8" (60mm) backset)

For
2-3/4" (70mm)
backset

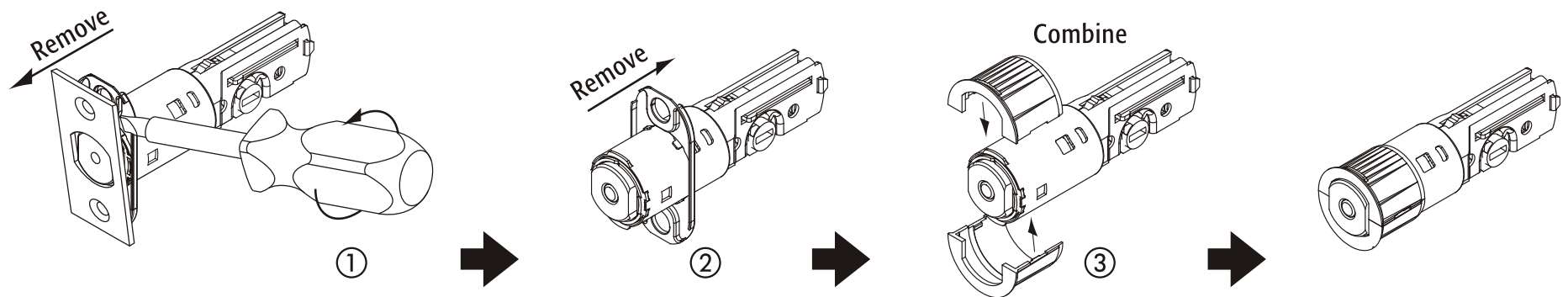


INSTALLATION

1B DRIVE-IN COLLAR or FACEPLATE ADJUSTMENT

In addition to 2-3/8" (60mm) or 2-3/4" (70mm) adjustable backset, you may change the faceplate to drive-in collar.

(If your door is not a drive-in latch type, please skip this step)



Note: Reverse the above steps if you need to change the drive-in collar to the faceplate.

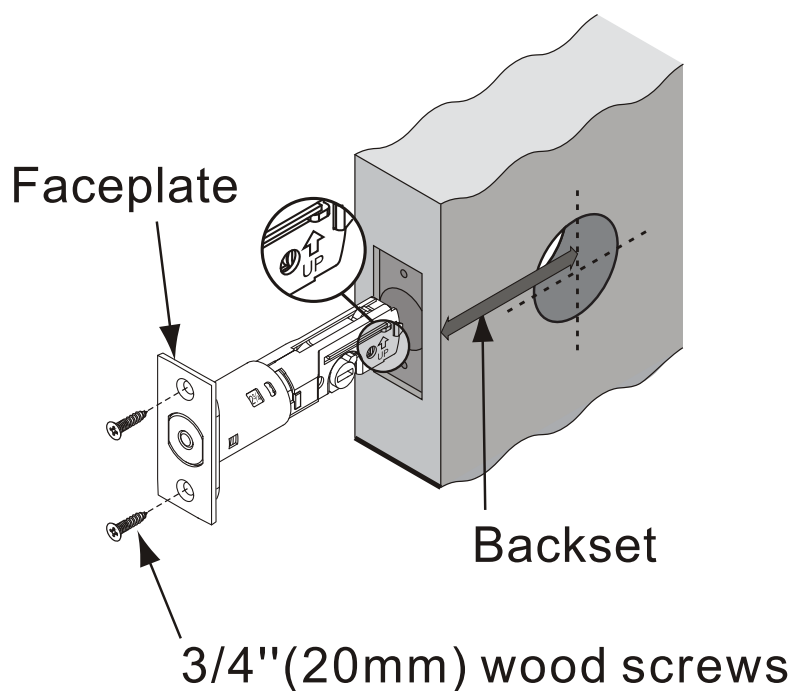
INSTALLATION

2 INSTALL LATCH IN MORTISED AREA OR INSTALL DRIVE IN LATCH

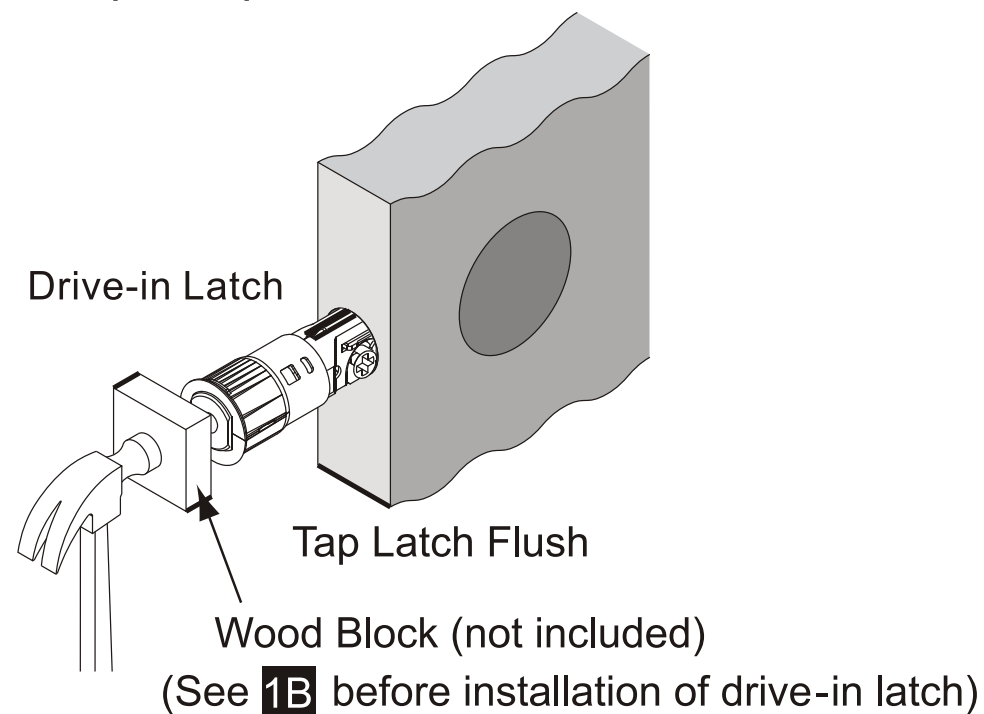
If the backset of your door is 2-3/8" (60mm), please install it now.

If your door is set up to use a standard type latch, please install it with the 3/4" (20mm) screws that are provided.

If you use the drive-in type latch, please tap it in place.



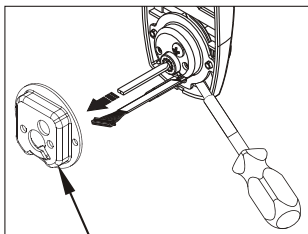
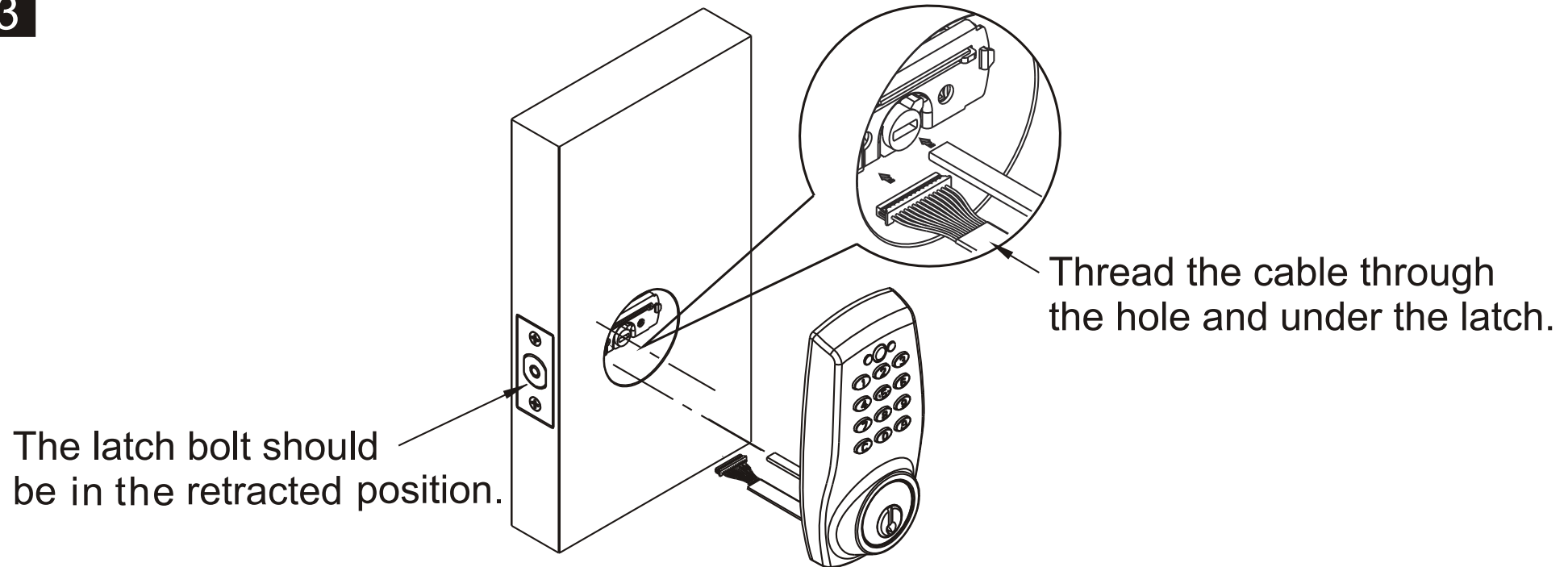
or



Note: Make sure that the latch moves into and out of the strike plate smoothly. This lock has a motorized bolt and must not drag or bind when moving.

INSTALLATION

3

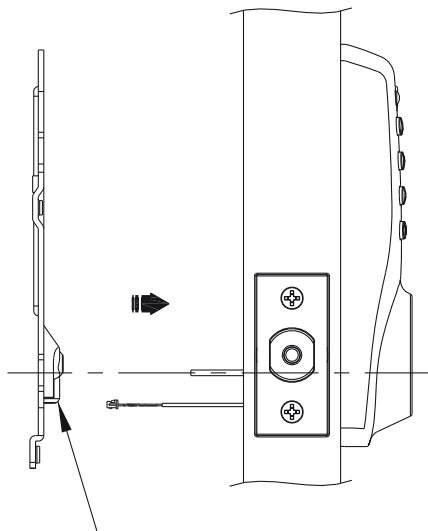


Adapter collar

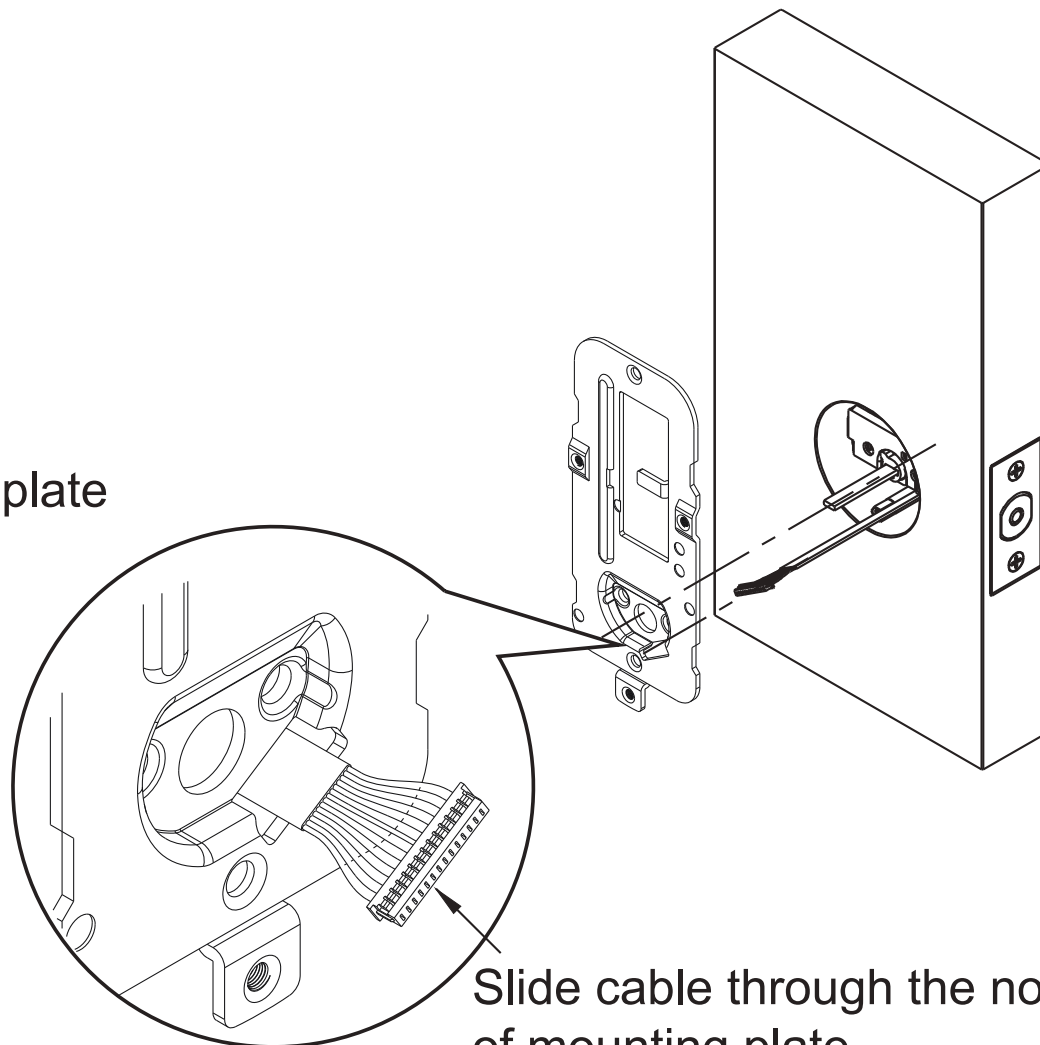
For installation into 1-1/2" (38mm) bore hole, just pry the adapter collar with a screwdriver.

INSTALLATION

4



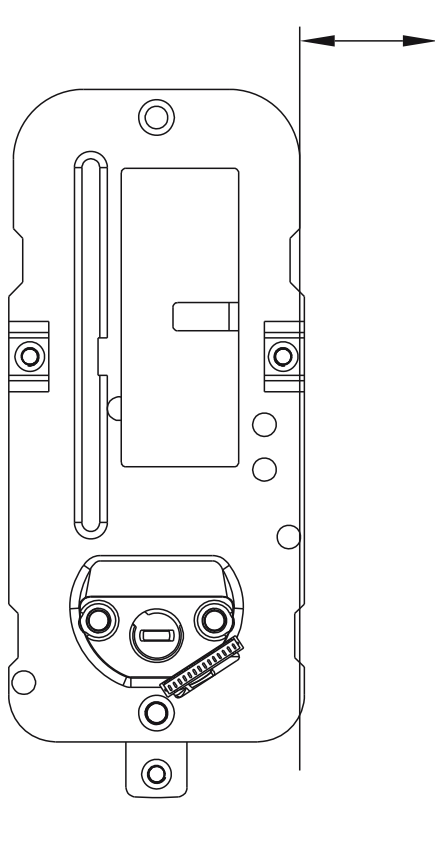
The raised part of mounting plate must face toward the door.



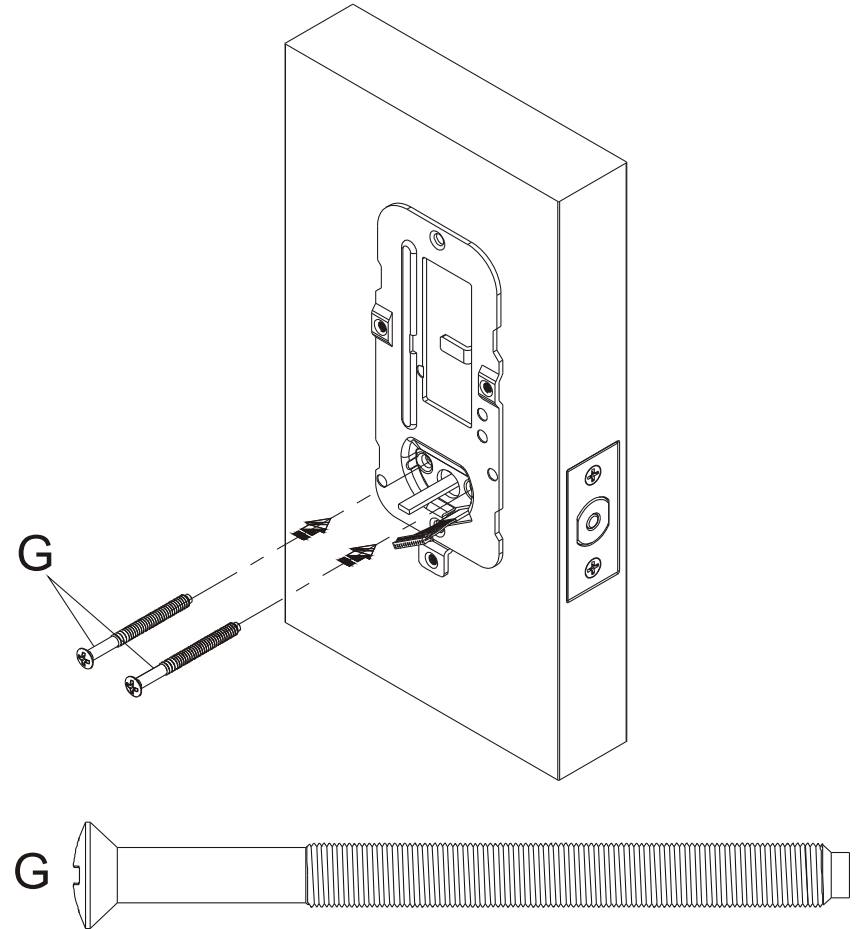
Slide cable through the notch of mounting plate.

INSTALLATION

- 5** Keep the mounting plate parallel with the door side.



Insert 2-1/8"(54mm) mounting bolts(2) and tighten.



2-1/8" (54mm) Mounting Bolt (2)

INSTALLATION

6

REMOVE THE INTERIOR ESCUTCHEON



1. Hold on the lip of interior escutcheon.



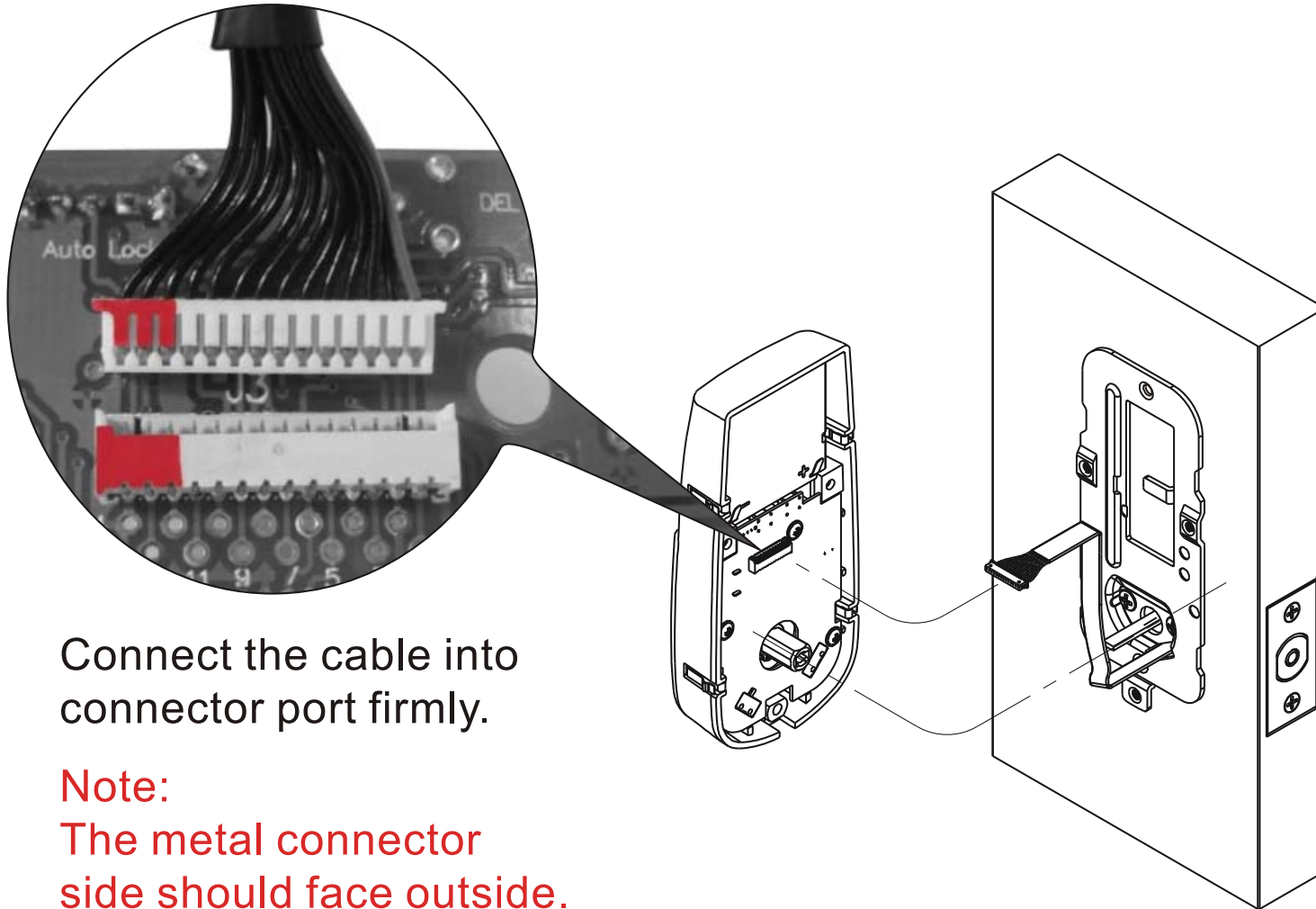
2. Put the thumbs on the turn piece.



3. Remove the interior escutcheon by pushing turn piece.

INSTALLATION

7



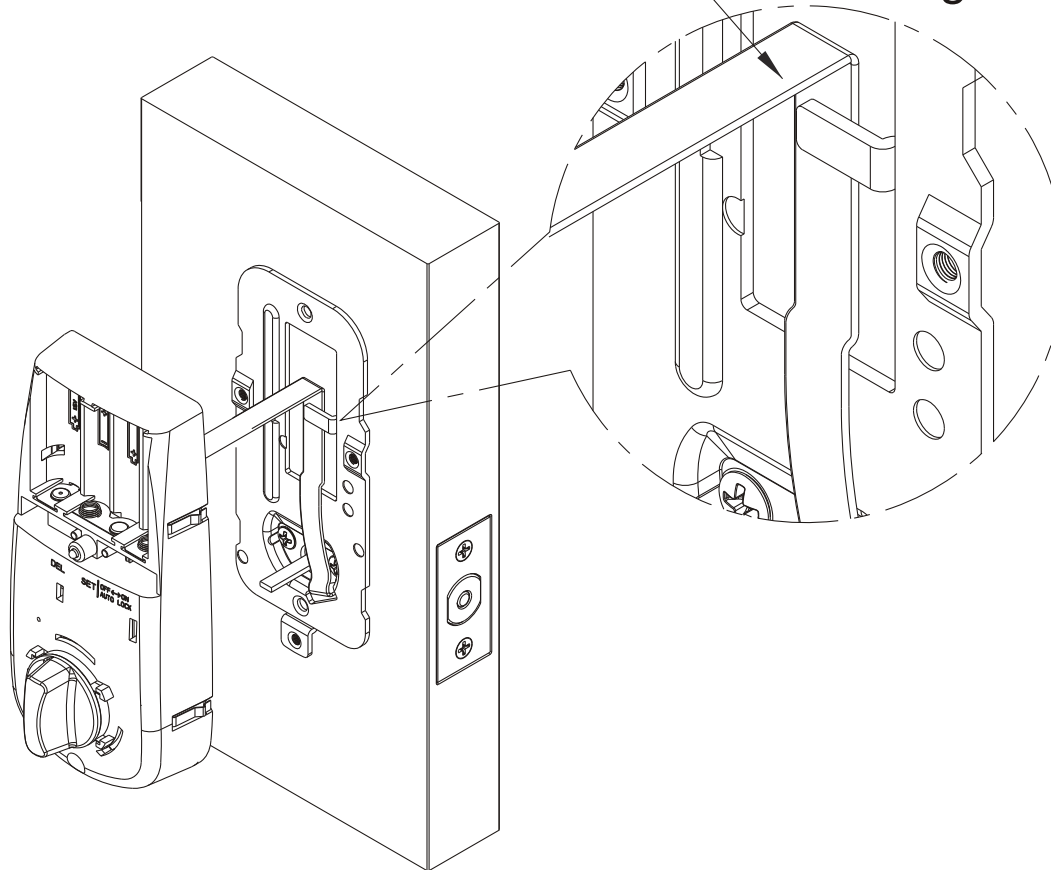
Connect the cable into connector port firmly.

Note:
The metal connector side should face outside.

INSTALLATION

8

The cable must be arranged as shown in the diagram.

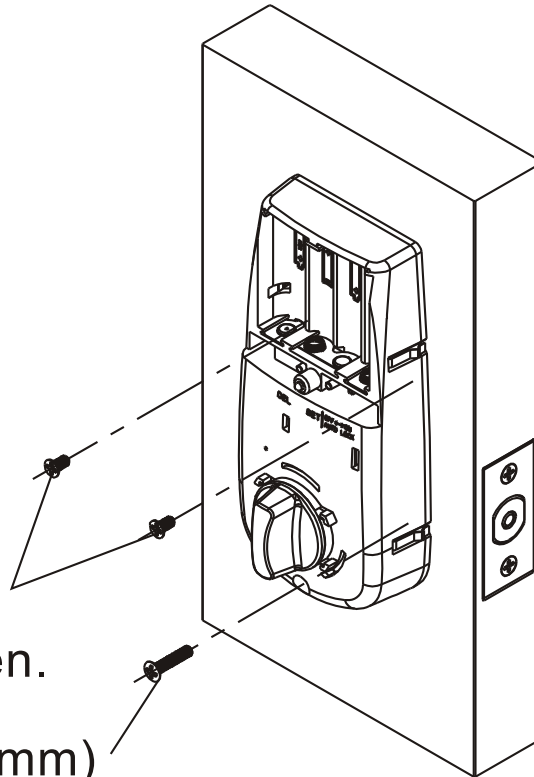


INSTALLATION

9

Insert 5/16" (8mm)
screws (2) and tighten.

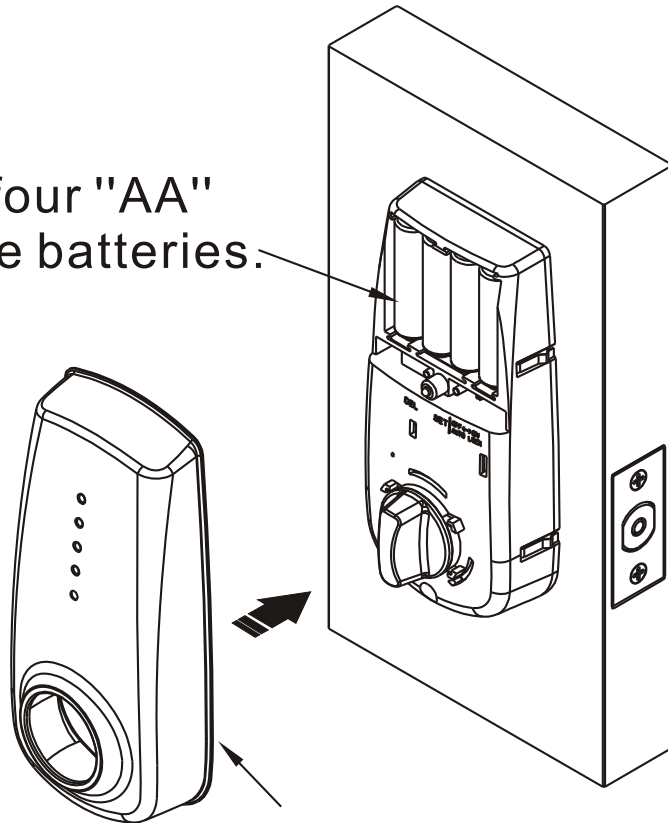
Insert 13/16" (20mm)
screw (1) and tighten.



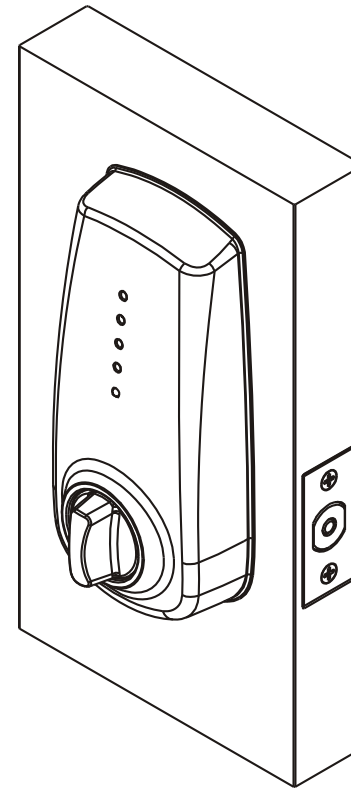
INSTALLATION

10

Insert four "AA" alkaline batteries.



Put interior cover
back on lockset.



Complete

OVERVIEW OF FUNCTIONS

EXTERIOR INDICATED LIGHT

1. Green light: Indicates the user code entered is a valid code.
2. Red light: The user code entered is an invalid code / Under programming mode.
3. Yellow light: Low battery warning.

✳ All batteries should be replaced for home security.

KEYPAD

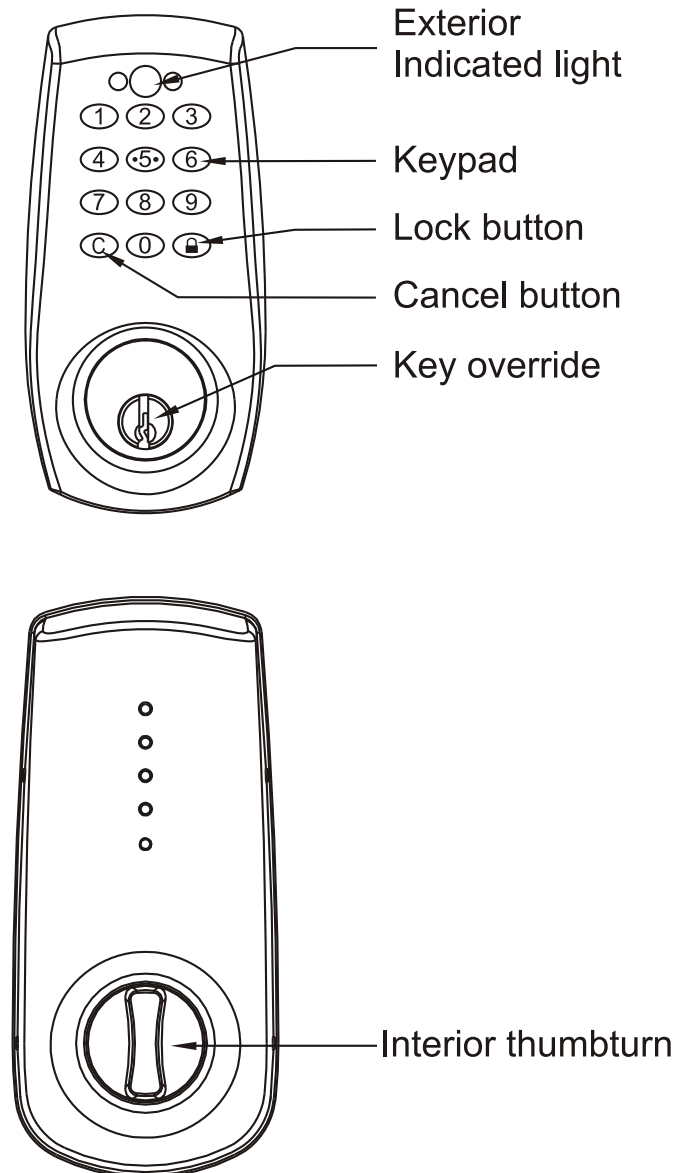
1. To unlock the lockset by entering a valid user code.
2. To program the lockset.
3. Please always press (C) button to cancel any mis-typing numbers.
4. Press (🔒) button to lock the lockset

KEY OVERRIDE

1. To unlock the lockset by a valid key.

INTERIOR THUMBTURN

1. To lock or unlock the lockset manually.



CODES INFORMATION

PROGRAMMING CODE

1. Programming Code provides ability to fully program and re-program the deadbolt, change/ delete/ add individual user entry codes, or unlock the deadbolt.
2. Programming Code is restricted to 6 digits. The factory preset Programming Code is:1-2-3-4-5-6.



USER ENTRY CODE

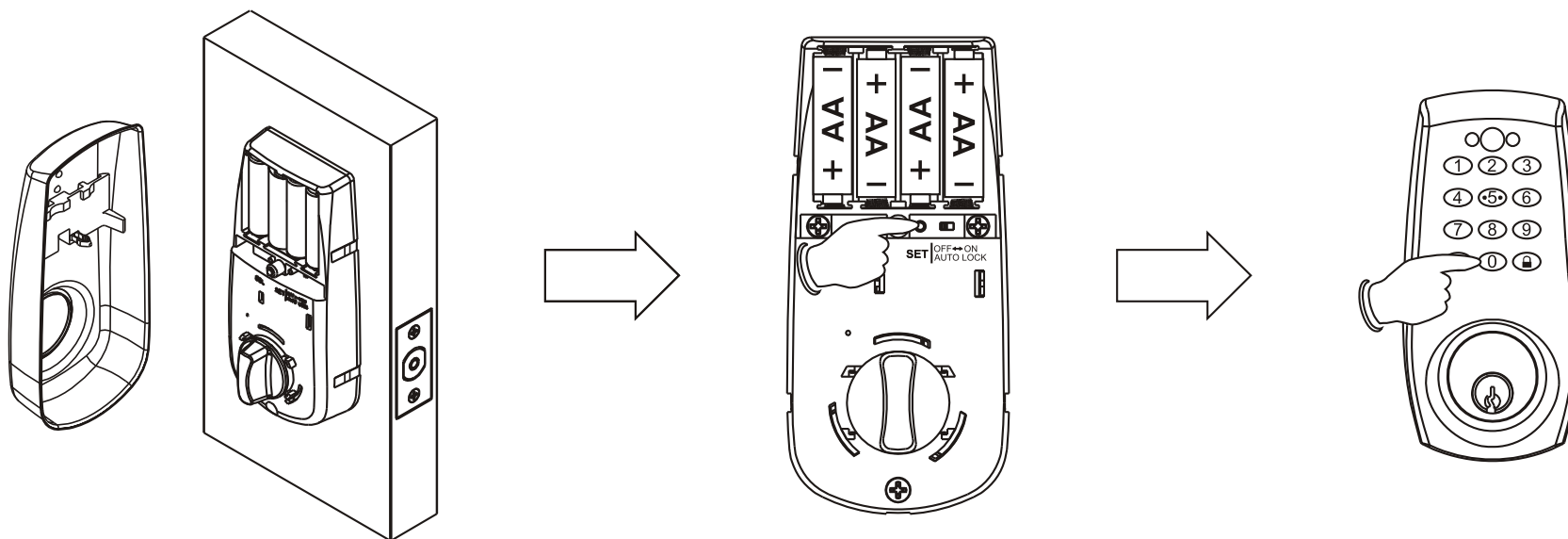
1. User Entry Code allows the individual user to lock and unlock the deadbolt.
2. User Entry Code can be 4 to 6 digits.
3. Maximum of 10 User Entry Codes can be programmed into one deadbolt.
4. Individual User Codes can be changed/ deleted/ added to the lockset only by using the Programming Code.

SETTING MODE

AUTOMATIC - BOLT DIRECTION DETERMINATION

Following these steps:

1. Install ALKALINE Batteries ONLY.
2. Make sure the deadbolt is in the unlocked position.
3. Press [SET] button for 2 seconds until the Red LED lights up and "beep" sounds twice. You are now under programming mode.
4. Enter 123456 (or current programming code) and then press  button. Enter [00] and press  button.
The Red LED will light continuously for 10 seconds. The deadbolt throw direction is now set.



SETTING MODE




CHANGE PRESET OR CURRENT PROGRAMMING CODE

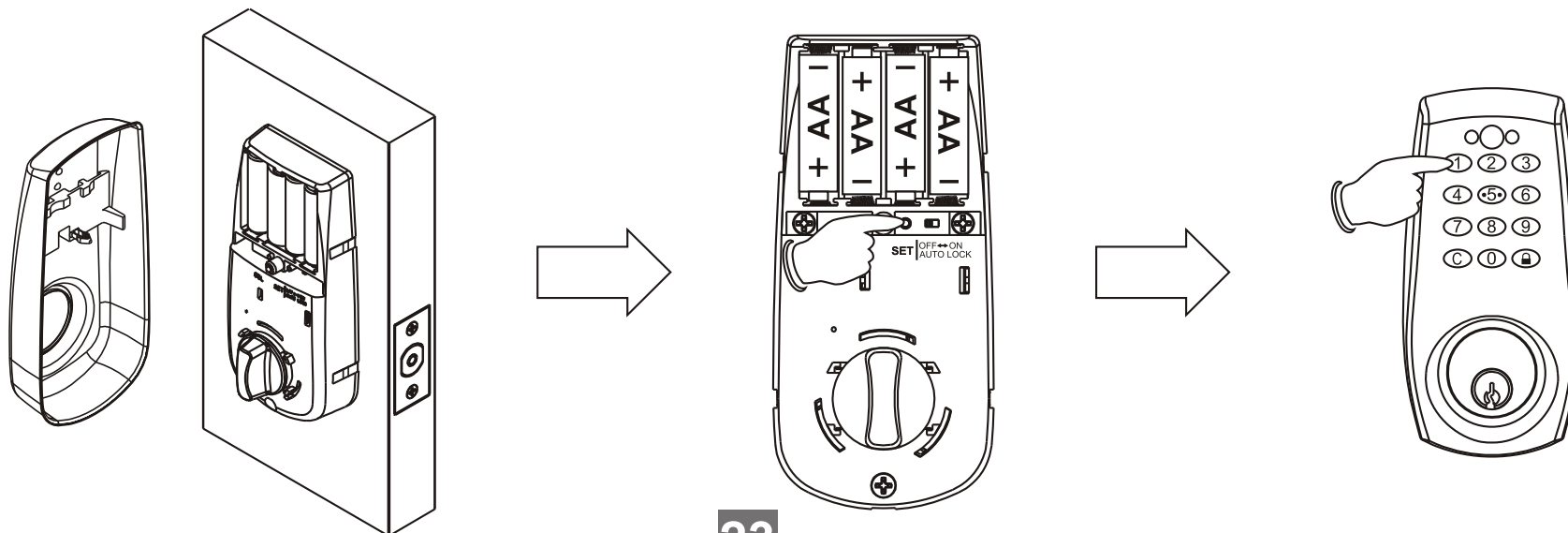
Important:

The preset programming code is 1-2-3-4-5-6.

Please change the programming code before operating the lockset.

Following these steps:




1. Press [SET] button for 2 seconds until the Red LED lights up and "beep" sounds twice. You are now under programming mode.
2. Enter 123456 (or current programming code) and then press  button. Enter [10] and press  button. Enter new programming code (six digits) and press  button. The Red LED will light continuously for 10 seconds. The lock will have the new programming code set.

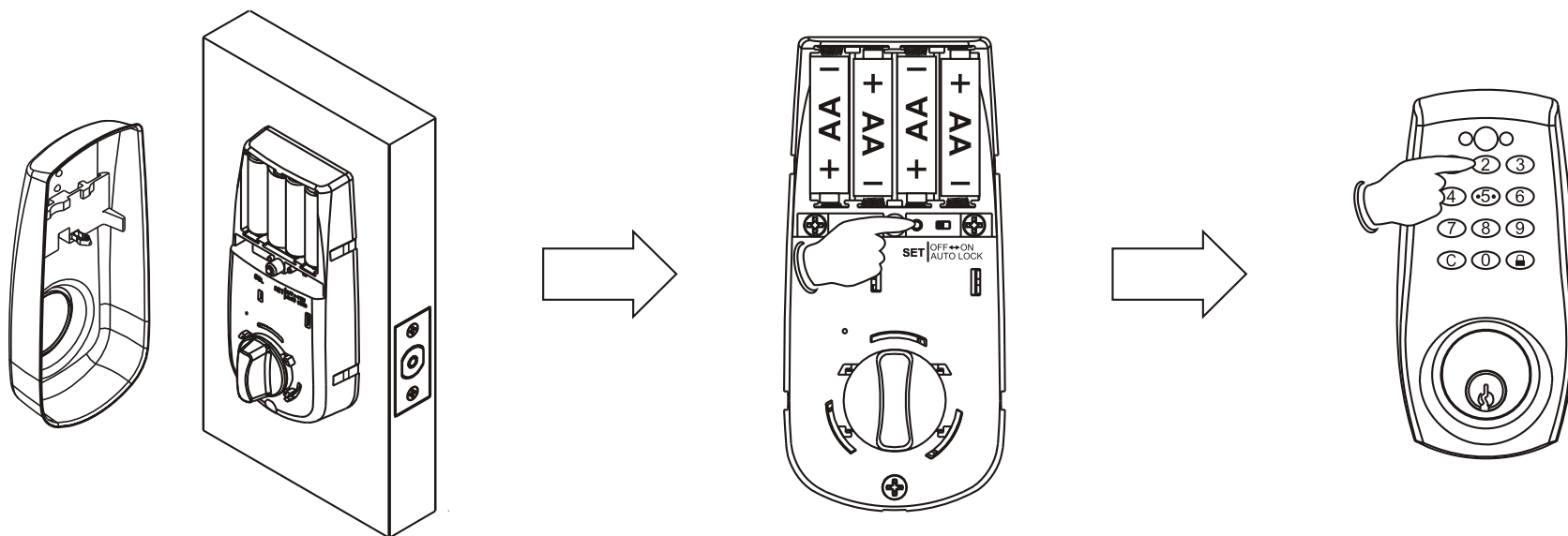


SETTING MODE

ADD A NEW USER CODE

Following these steps:

1. Press [SET] button for 2 seconds until the Red LED lights up and "beep" sounds twice. You are now under programming mode.
2. Enter 123456 (or current programming code) and then press  button. Enter [20] and press  button. Enter new user code (four to six digits) and press  button. The Red LED will light continuously for 10 seconds. The lock will have the new user code set.






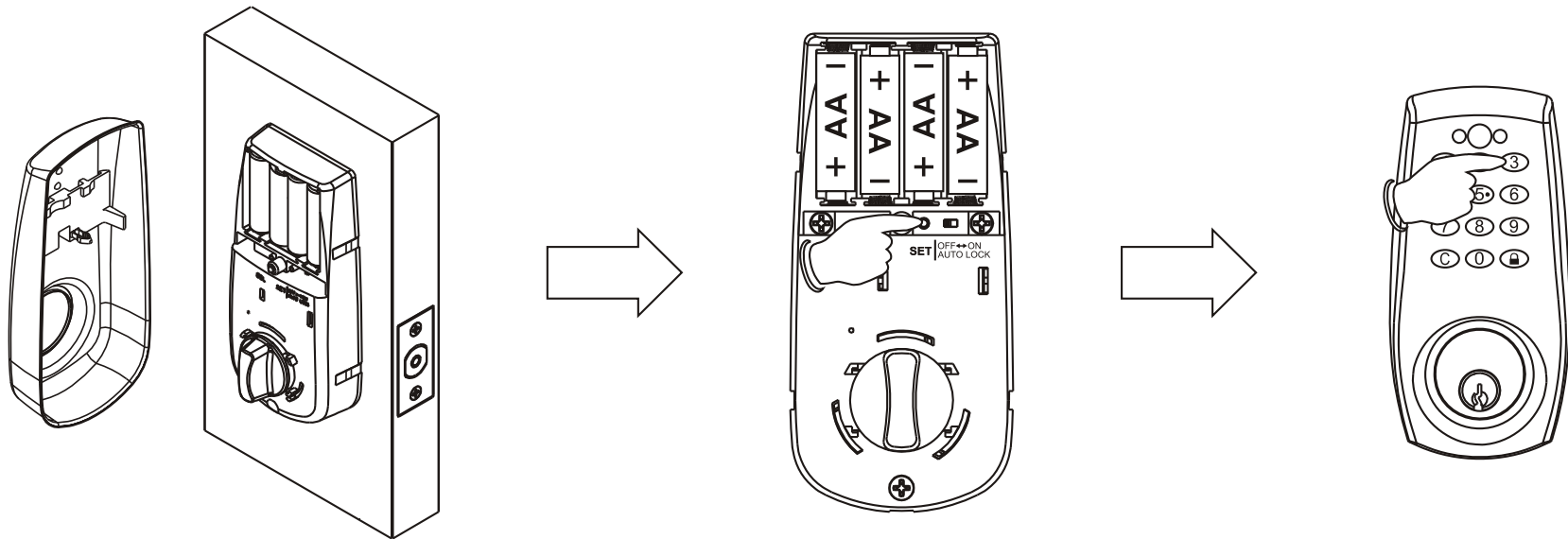
Code capacity: 10 maximum.

SETTING MODE

DELETE INDIVIDUAL EXISTING USER CODE

Following these steps:




1. Press [SET] button for 2 seconds until the Red LED lights up and "beep" sounds twice. You are now under programming mode.
2. Enter 123456 (or current programming code) and then press  button. Enter [30] and press  button. Enter existing user code (that you wish to delete) and press  button. The Red LED will light continuously for 10 seconds. The user code has been deleted.

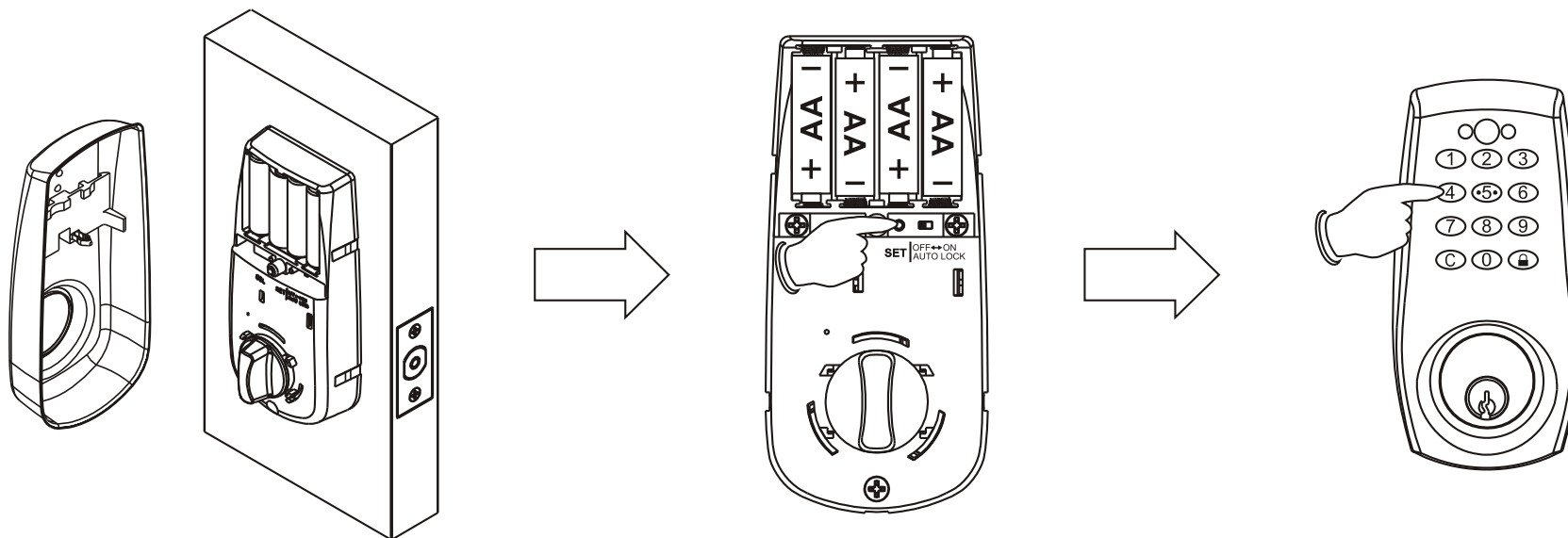


SETTING MODE

DELETE ALL EXISTING USER CODES AT ONCE

Following these steps:

1. Press [SET] button for 2 seconds until the Red LED lights up and "beep" sounds twice. You are now under programming mode.
2. Enter 123456 (or current programming code) and then press  button. Enter [40] and press  button. Press  button over 3 seconds (one audio "beep" and Green light will be on). The Red LED will light continuously for 10 seconds. All existing user codes have been deleted.

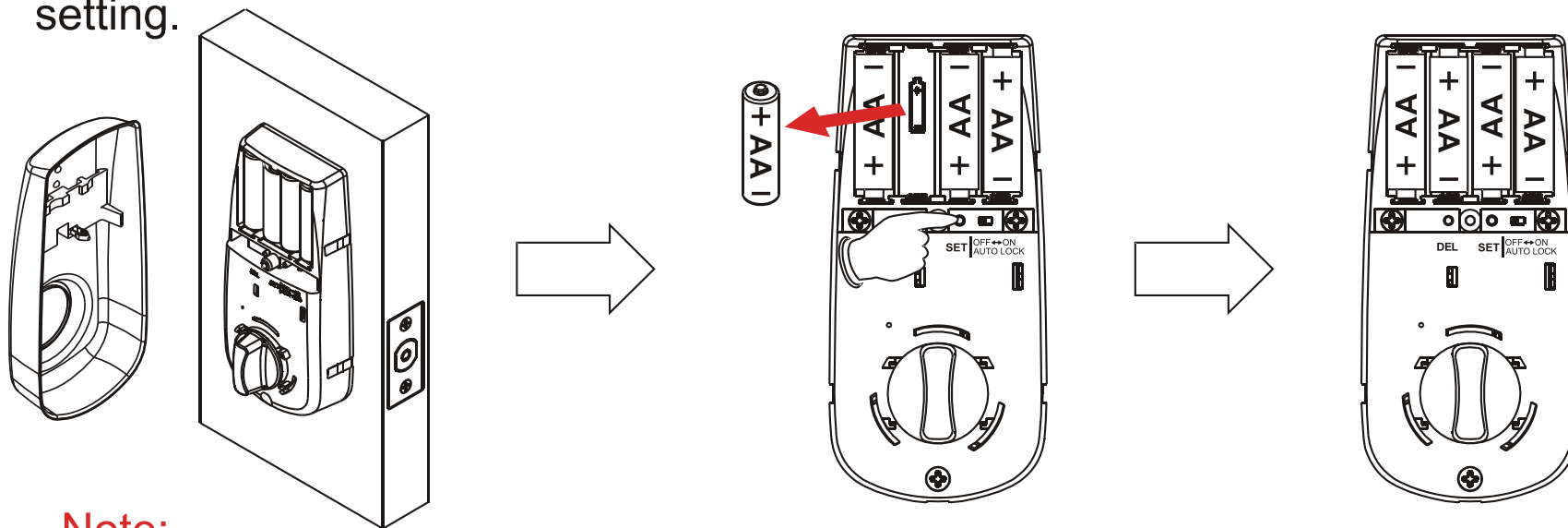


SETTING MODE

RESTORE FACTORY SETTING

Following these steps:

1. Remove one battery away from the battery pack.
2. Press [SET] button and place the battery back simultaneously .The Green LED will light and then "beep" will sound twice. All functions will be restored back to factory setting.



Note:

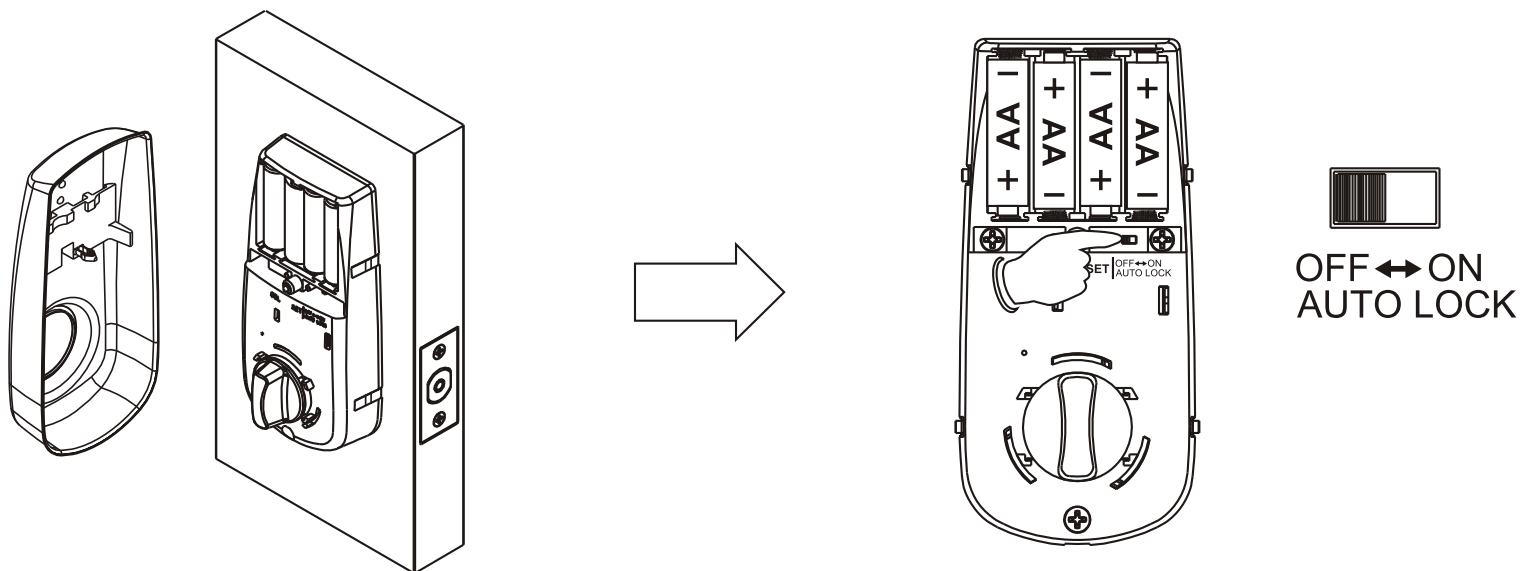
All existing user codes and current programming code will be deleted.
Lock will be restored to preset programming with programming code of 1-2-3-4-5-6.
Please change the programming code and add a new user code immediately before operating the lock.

SETTING MODE


AUTO LOCKING FUNCTION

Following these steps:

1. Shift the auto locking switch to [ON] position. Shift the switch back to [OFF] position to cancel auto locking function.




Note:

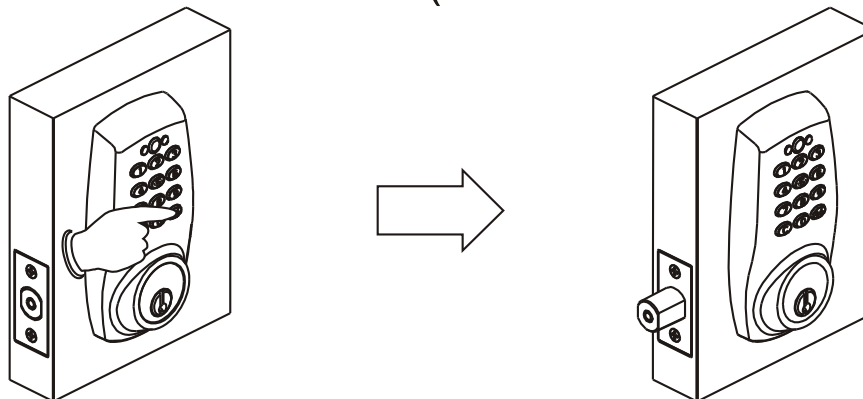
1. The latch bolt will be automatically latched after 10 seconds. Please make sure the door is closed properly while the auto locking function is on.
2. You can also lock manually under auto locking function by pressing lock button  from outside keypad or rotating interior thumbturn.

OPERATION MODE

LOCK OPERATION

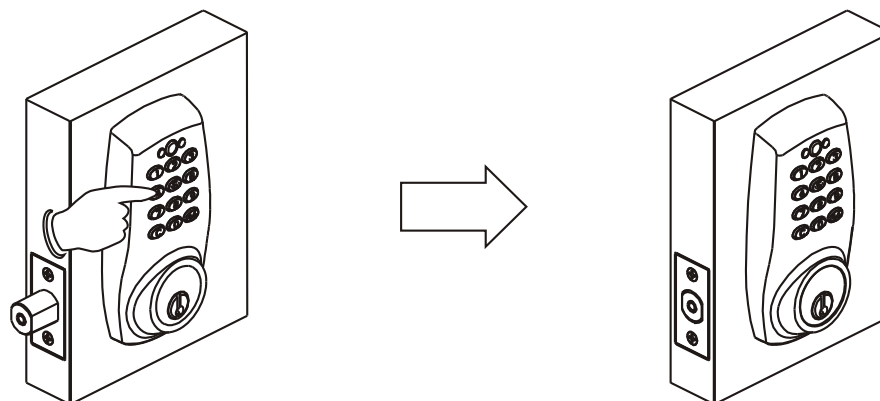
To lock:

1. Step: Press  button to lock the door. (The Green LED will light up and a short beep will sound.)



To unlock :

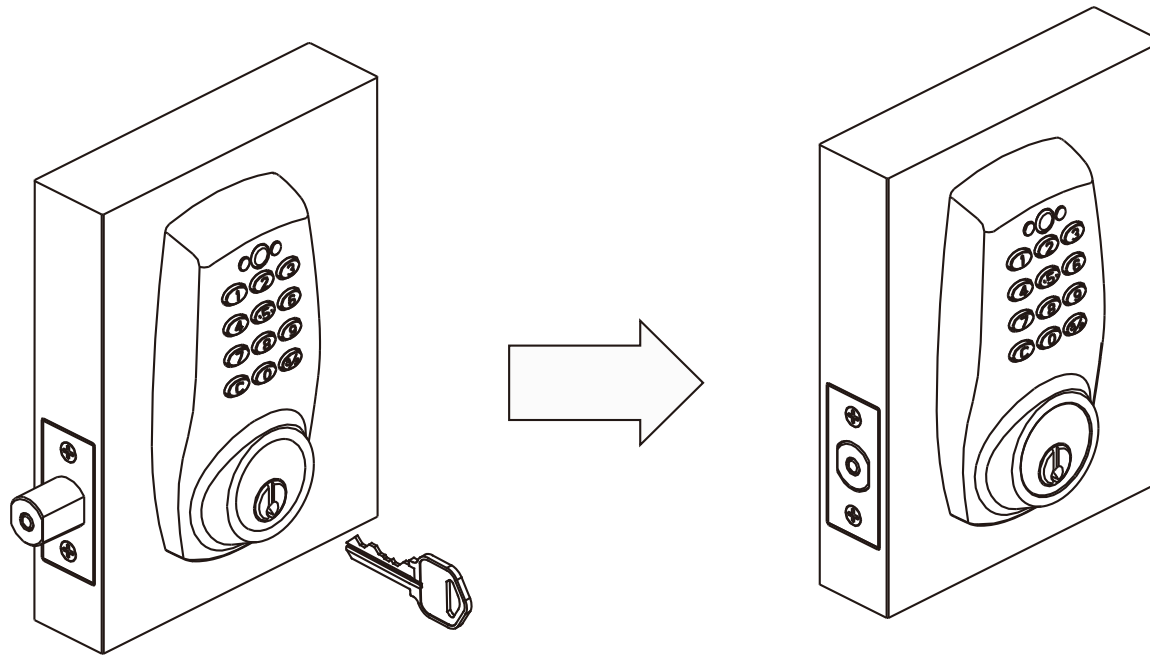
1. Step: Enter a valid user code (4-6 digits) to retract the latch bolt.



OPERATION MODE

SECURITY MODE

1. The keypad will be automatically deactivated for 1 minutes after 4 wrong attempts.
2. The deadbolt can be locked or unlocked by a valid traditional key during 5 minutes lockdown mode.



TROUBLESHOOTING GUIDE (INSTALLATION)

QUESTIONS	ANSWERS
A. The lockset did not operate correctly after installation.	<ol style="list-style-type: none">1. Check center of strike hole for alignment with latch hole on the door to ensure free movement of the latch bolt.2. Make sure the torque blade is properly inserted (in the horizontal position) in the latch drive.3. Make sure the AUTOMATIC BOLT DIRECTION ADJUSTMENT procedure was run properly following installation. Refer to page 22.
B. Feel a bump while turning the thumbturn or the key?	<ol style="list-style-type: none">1. Please execute lock & unlock function to allow the motor to reposition itself.

TROUBLESHOOTING GUIDE (OPERATION)

QUESTIONS	ANSWERS
A. Keypad does not respond at all.	<ol style="list-style-type: none">1. Check to see if the batteries are well-installed.2. Check to see if the Yellow LED is flashing. If the light is flashing, replace the batteries with new ones.3. Make sure the cable is well-connected to the port.
B. Can not change programming code.	<ol style="list-style-type: none">1. Complete the "CHANGE PROGRAMMING CODE" process by inputting codes within 10 seconds.2. Make sure you have entered the new programming code correctly (refer to page 23) or go back to the factory setting (refer to page 27) and reset the program again.
C. Can not delete all user codes.	<ol style="list-style-type: none">1. Make sure all code inputting processes should be completed within 10 seconds.2. Make sure you have entered the correct programming code.3. ⓐ button should be pressed over 3 seconds.

TROUBLESHOOTING GUIDE (OPERATION)

QUESTIONS	ANSWERS
D. Can not add a new user code.	<ol style="list-style-type: none">1. Make sure all code inputting processes should be completed within 10 seconds.2. Make sure you have entered the correct programming code.3. The new user code will not be accepted if 10 user codes are already stored in the memory.
E. What happens if the lockset can not be opened unlock by keypad?	<ol style="list-style-type: none">1. Make sure you have entered the correct user code.2. Check to see if the Yellow LED is flashing. If the light is flashing, replace the batteries with new ones.3. Please make sure the strike plate is installed correctly if you see the latch is jammed.
F. Unable to reset the lockset.	<ol style="list-style-type: none">1. Please refer to "RESTORE FACTORY SETTING" section on page 27 and make sure all steps are followed correctly.2. Check to see if the Yellow LED is flashing. If the light is flashing, replace the batteries with new ones.

TROUBLESHOOTING GUIDE (OPERATION)

QUESTIONS	ANSWERS
G. Red LED light is still on after setting is completed.	<ol style="list-style-type: none"> 1. Check whether the [SET] button is jammed. 2. Re-install the batteries.
H. "Auto lock" function does not work.	<ol style="list-style-type: none"> 1. Make sure the auto lock switch is completely in the [ON] position. 2. Check to see if the Yellow LED is flashing. If the light is flashing, replace the batteries with new ones.
I. Yellow LED light keeps flashing	<ol style="list-style-type: none"> 1. The batteries are getting low, please reinstall all new batteries for the best performance (Alkaline batteries are only allowed to use).
J. What should I do if wrong code was entered?	<ol style="list-style-type: none"> 1. Press (C) button once and continue to enter code according to regular procedures.
K. How to illuminate the keypad?	<ol style="list-style-type: none"> 1. Press any button on the keypad to initiate LED backlight.
<p>If the lock appears to be damaged or does not function properly, please contact your local provider for more help.</p>	

DECLARATIONS AND SAFETY STATEMENTS

FEDERAL COMMUNICATIONS COMMISSION STATEMENT

This device complies with Part 15 of the FCC. Operation is subject to the following two conditions:

(1) this device may not cause harmful interference, and (2) this device must accept any interference received, including interference that may cause undesired operation.

Changes or modifications not expressly approved by the party responsible for compliance could void the user's authority to operate the equipment.

NOTE: This equipment has been tested and found to comply with the limits for a Class B digital device, pursuant to part 15 of the FCC Rules. These limits are designed to provide reasonable protection against harmful interference in a residential installation. This equipment generates, uses and can radiate radio frequency energy and, if not installed and used in accordance with the instructions, may cause harmful interference to radio communications. However, there is no guarantee that interference will not occur in a particular installation. If this equipment does cause harmful interference to radio or television reception, which can be determined by turning the equipment off and on, the user is encouraged to try to correct the interference by one or more of the following measures:

- Reorient or relocate the receiving antenna.
- Increase the separation between the equipment and receiver.
- Connect the equipment into an outlet on a circuit different from that to which the receiver is connected.
- Consult the dealer or an experienced radio/TV technician for help.

IC REGULATIONS

This Class B digital apparatus complies with Canadian ICES-003.

Cet appareil numérique de la classe B est conforme à la norme NMB-003 du Canada.

This device complies with Industry Canada licence-exempt RSS-210 standard. Operation is subject to the following two conditions: (1) this device may not cause harmful interference, and (2) this device must accept any interference received, including interference that may cause undesired operation of the device.

INFORMATION PAGE

SECURITY INSTRUCTION:

1. Do not share your programming code to anyone else.
2. Keep a written copy of all valid user codes in a safe place.
(You may use the table below to record your information)
3. The memory can hold 10 user codes.
4. You are advised to re-program all codes if you lost any security information in the table.

Name	User Code

Name	User Code

Programming code

LIMITED 25 YEARS MECHANICAL AND 1 YEAR ELECTRONIC WARRANTY

The retailer of this product, hereby warrants, subject to the conditions set forth below, that it will either repair or replace, at its option, this product if it proves to be defective by reason of improper workmanship or materials within the original purchaser's limited time. In order to obtain repairs or replacement under this limited warranty you must bring this product to the retailer's store in which you bought it.

Original purchaser: This limited warranty is limited to the original purchaser at retail of this product from retailer.

Except to the extent prohibited by applicable law, no other warranties, whether express or implied, including the warranties of merchantability and fitness for a particular purpose, shall apply to this product. Under no circumstances shall retailer be liable for consequential or incidental damages in connection with this product. To the extent retailer is prohibited by applicable law from excluding implied warranties, the duration of such implied warranties which are not excludable shall be the original purchaser's lifetime. Some states do not allow the limitation on how long an implied warranty lasts, so the above limitation on the duration of implied warranties which are not excludable, if any, may not apply to you. Some states do not allow the exclusion or limitation of incidental or consequential damages, so the above limitation or exclusion of incidental or consequential damages may not apply to you.

Retailer neither assumes nor authorizes any representative or other person to assume for it any obligation or liability other than such as is expressly set forth herein. This limited warranty gives you specific legal rights, and you may also have other rights which vary from state to state.

