

CR6100

DIGITAL TOUCH SCREEN DOOR LOCK
WITH CLUTCH TECHNOLOGY

Optional Interchangeable Core for Best, Falcon and Arrow



FEATURES:

- MASTER CODE
- 500 USER CODES
- 500 RFID CARD/KEYFOB PER LOCK
- 2 ONE TIME USER CODES
- 4-6 DIGIT CODE COMBINATION
- PASSAGE MODE
- WEATHER RESISTANT
- 9V BATTERY EMERGENCY PORT
- ANTI-TAMPER LOCK-OUT
- LOCK-OUT MODE
- CLUTCH TECHNOLOGY
- NON-HANDED, REVERSIBLE
- PROXIMITY RFID CARD (13.56 MHz)
- RFID KEYFOB (Optional)
- MOBILE APP FOR ANDROID & APPLE
- **BLUETOOTH RECEIVER (Optional)**
- **TOUCH SCREEN TO WAKE UP LOCK**
- 2 YEAR WARRANTY



AT DESIGN



SPA DESIGN



RFID KEYFOB (Optional)



9V EMERGENCY BATTERY PORT



PROXIMITY RFID CARD



BLUETOOTH RECEIVER (Optional Device for Bluetooth Connectivity)

HOW TO ORDER: for "AT" or "SPA" lever design
Replace "CR" with lever design "AT" or "SPA" when ordering.
Example: To order AT Design in US26D, Use "AT6100 US26D"

SPECIFICATIONS

APPLICATIONS

For offices, schools, hospitals, apartments, condo units, hotel / motel, residential, commercial and public buildings

DOOR RANGES

1 3/8" to 1 3/4"

BACKSET

2 3/4" standard or 2 3/8" optional backset

LATCH FACEPLATE

Standard 1 1/8" x 2 1/4" for 2 3/4" backset
Optional 1" x 2 1/4" for 2 3/8" backset

STRIKES

ASA Strike standard, T and full lip strike available upon request

ANSI STANDARDS

Certified ANSI / BHMA A156.2 Series 4000 Grade 1 requirements

CLUTCH

Clutch technology allows turning of lever without retracting latch, thus prolonging the life of the lock by reducing stress on the spindle and other parts.

CYLINDER

6-pin solid brass "Schlage C" keyway standard with two brass keys per lock

PROXIMITY RFID CARD (STANDARD)

2 pcs. included. Compatible with existing MIFARE infrastructures. Operates at 13.56 MHz in accordance with ISO 14443A. Inductive distance up to 1 3/16".

RFID KEYFOB (OPTIONAL)

Operates at 13.56 MHz in accordance with ISO 14443A. Inductive distance up to 1 3/16".

POWER SUPPLY

4 AA 1.5V Alkaline Batteries (comes standard in packaging)

BLUETOOTH CONNECTIVITY (OPTIONAL)

Lock can be managed / synced using the ExperienSmart app for both Apple & Android phones. (Bluetooth Receiver installation required)

• **INTERCHANGEABLE CORE (IC)**

Interchangeable Core locks will accept compatible 6 or 7 pin cores with BEST, FALCON and ARROW. Prefix "IC" before part number.

WEATHER RESISTANT

All models are weather resistant for temperature ranges of -30°F ~ 150°F (-35°C ~ 66°C).

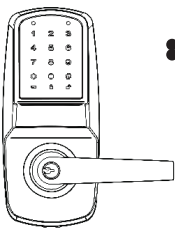
TOUCH SCREEN

Responds to human touch enabling convenient entrance or access to programming menu. After operation has been completed, the lock reverts to sleep mode.

FINISHES AVAILABLE		
BHMA SYMBOL	US CODE	DESCRIPTION
622	US1	Flat Black Coated
626	US26D	Satin Chrome
613	US10B	Oil Rubbed Bronze
606	US4	Satin Brass
605	US3	Bright Brass
625	US26	Bright Chrome

Refer to price list for stock finishes and functions

FUNCTIONS

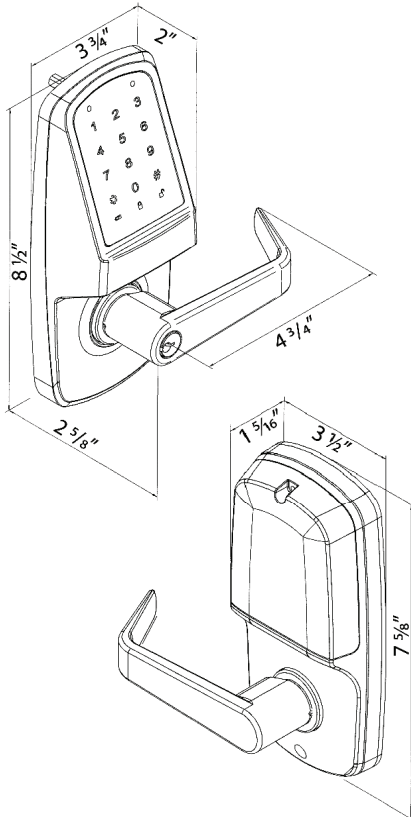


CR6100

ICCR6100

Latch bolt operated by lever from either side. Outside would need to enter pre-programmed code on the touch screen in order to retract the latch upon turning lever. Key overrides the use of the touch screen. Available with Small Format Interchangeable Core.

DIMENSIONS



FEATURES

- **Access Log (Audit Trail)** – the ExperienSmart app features a 24/7 activity log, so you can keep track of who accessed the lock. A timestamped access log can be saved as an excel file via email.
- **Anti-Tamper Lock-Out** - The lock will shut down for 60 seconds and not allow operation, if invalid code is entered 5 times in succession to prevent tampering.
- **Beep & LED Indicators** - These indicators can either be programmed for different settings. This feature is useful in making sure that every keypress was successfully entered.
- **Bluetooth Receiver (item # CR6000-BLE)** - Optional device used for managing locks via the ExperienSmart app, 8m-10m detection range.
- **Lock-Out Mode** - This feature is enabled by the Master PIN Code. When enabled, it restricts all User PIN codes and RFID CARD / KEYFOB access except Master PIN code. The padlock icon will appear on the screen when the unit is in lock-out mode.
- **Low Battery Warning** – the low battery icon on the screen will blink when battery power is low.
- **Master PIN Code** - Use for programming the lock and entering User PIN codes. Can also be use to open the lock and reset to factory settings.
- **NFC (Near Field Communication) Interface** – NFC compatible for android phones.
- **One-Time User PIN Code** - Can only be used once. This lock can store up to 2 one-time User PIN code simultaneously.
- **Passage Mode** - Enabling passage mode allows continuous entry for non-restricted traffic. Passage mode can either be enabled or disabled by the Master Pin code. When in passage mode, the unlocked padlock icon will appear on the screen.
- **Re-Lock Time** - When the code is successfully entered and the device unlocks, it will automatically relock after 5 seconds by default. Through feature settings, the re-lock time may be changed from 1 to 10 seconds.
- **RFID Card (Standard); RFID Keyfob (Optional)** - Compatible with existing MIFARE infrastructures. Operates at 13.56 MHz in accordance with ISO14443A. Inductive distance up to 1 3/16"
- **Touch Screen (Lock Activation)** - Touch the screen to activate lock. Enter the PIN code when while the number pad is illuminated. Also same as using the RFID card/keyfob.
- **User PIN Code** - This feature only opens the lock by entering the code on the touch pad. It won't be able to program or change settings. This lock can accommodate up to 500 RFID Card/Keyfob and 500 User PIN codes each, 4 to 6 digit code combination.
- **Weather Resistant** - CR6100 is manufactured making sure that internal electronic parts are protected from moisture, dust water and corrosion. All models are weather resistant for temperature ranges of -30° F ~ 150° F (-35° C ~ +66° C).