

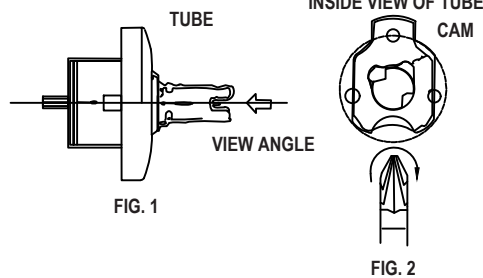
# INSTALLATION INSTRUCTIONS FOR TRIM OF PANIC EXIT DEVICE

WHEN YOUR DOOR HAS CYLINDRICAL LOCK CUT-OUT

ENT00L STR05L  
PAS30L DUM40L

CHASIS

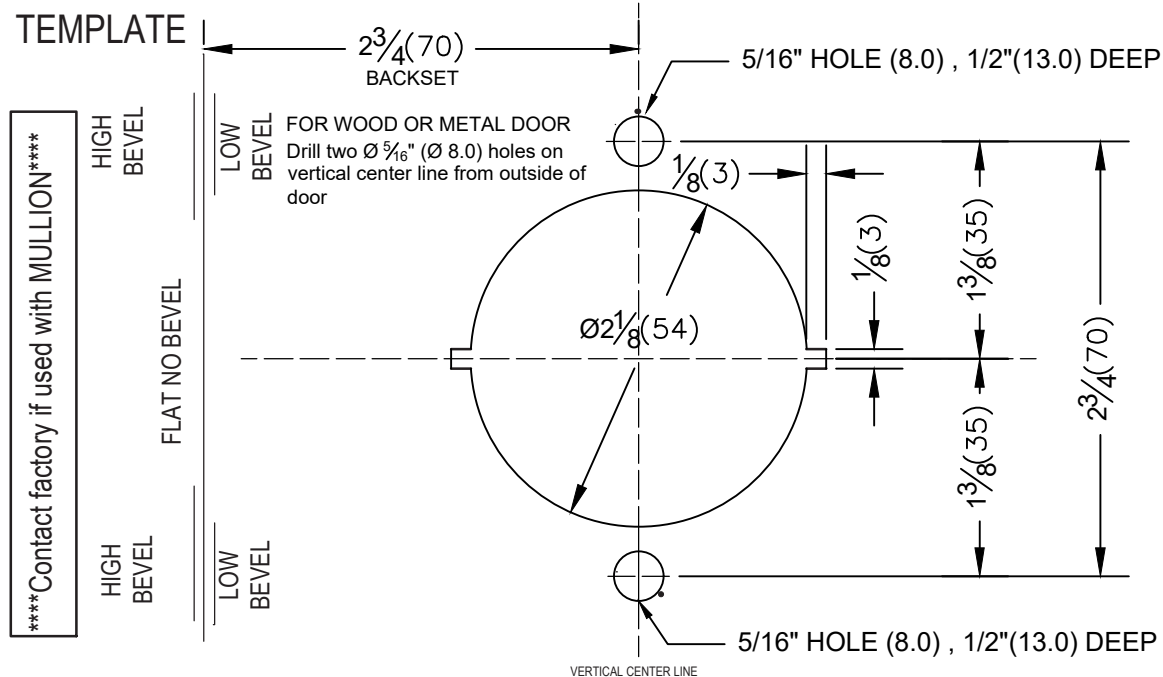
**CAUTION**  
ALWAYS USE PROVIDED SPRING WASHERS TO PREVENT SCREWS FROM COMING LOOSE. WARRANTY VOIDED FOR NON-COMPLIANCE.



## IMPORTANT !

- 1) ALIGNMENT STUDS MUST ENTER INTO (2) 5/16" FIELD-DRILLED HOLES ON OUTSIDE OF DOOR (EXISTING SLOTS CAN BE ELONGATED WITH A FILE)
- 2) MAKE SURE TO TURN CAM CLOCKWISE BY PHILLIPS DRIVER HOLDING TUBE WITH FINGERS AS FAR AS IT WILL GO BEFORE RE-ASSEMBLING OF HANDLE TO PREVENT MIS-POSITIONING OF CAM. (SEE FIG. 1 AND FIG. 2)

## TEMPLATE



The illustration and technical description in this cut sheet is current as of the date in version date on the right.

Cal-Royal Product reserves the right to, and may, on occasions, make changes and/or improvements in designs and dimensions without prior notice.

ITEM NO.	DESCRIPTION	UNIT	Prepared By:	DATE	DWG. NO.
ENT00L STRL05 PAS30L DUM40L	INSTALLATION AND TEMPLATE OF CYLINDRICAL TRIM WITH A2200 SERIES EXIT DEVICE	PRIMARY DIMENSION SHOWN IN INCHES, DIMENSIONS IN ( ) ARE MM	BBT/ADG/CVL	11/20/2023	EDT-4123-11/23-1of1
PAGE 1 of 1					Ver.- 1.0



8605 Flotilla Street  
City of Commerce  
CA 90040 USA  
Tel.# (323) 888-6601  
FAX # (323) 888-6699  
WEB SITE:  
CAL-ROYAL.COM  
Email: sales@cal-royal.com