

Installation Instructions and Template:

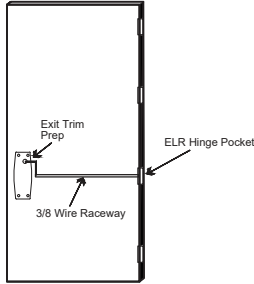
ESC77/ESC98

Cal Royal Electric Exit Trim

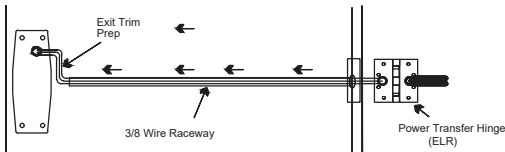


WIRING LAYOUT INSTRUCTION

STEP 1: The door must be machined with a 3/8" wire raceway, Exit Trim & prepped for a energy transfer hinge. Make sure the pocket is free of debris.

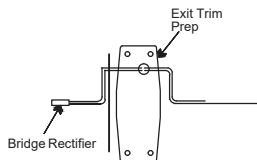


STEP 2: Run the wires from the ELR hinge through the 3/8" raceway starting at the ELR hinge & exiting into the pocket.

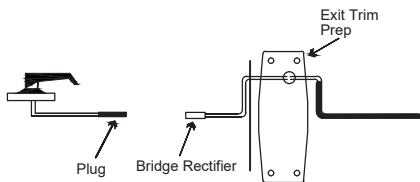


STEP 3: Screw the ELR hinge to the door. At this time DO NOT connect the hinge wires on the jamb side to the wires coming from the power supply.

STEP 4: Connect the wires exiting the pocket to the Bridge Rectifier (included).



STEP 5: Connect the Bridge Rectifier to the plug exiting the Electric Exit Trim.



STEP 6: Carefully slip the connected Electric Exit Trim into the pocket paying close attention not to pinch any wires.

STEP 7: Mount the Electric Exit Trim per manufacturer's instructions.

STEP 8: Connect the wires from the power supply at the ELR hinge on the jamb side. Connect the hinge to the jamb.

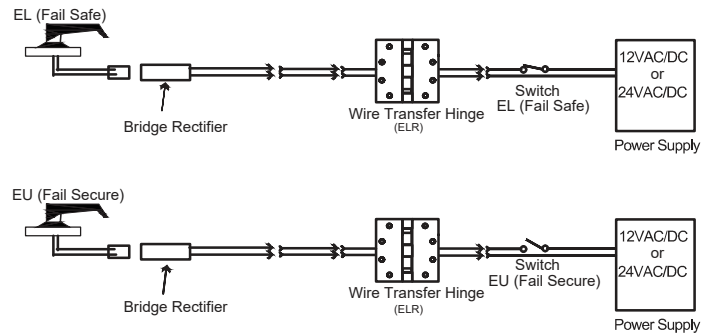
LEGEND OF TERMS

EU: (Fail Secure) When power is applied, the outside trim will unlock. When power is removed, the outside trim is locked.

EL: (Fail Safe) When power is applied, the outside trim will lock. When power is removed, the outside trim is unlocked.

REE: (Request to Enter Switch) Monitors the outside handle.

SCHEMATIC DIAGRAM



ELECTRICAL SPECIFICATIONS

SOLENOIDS:

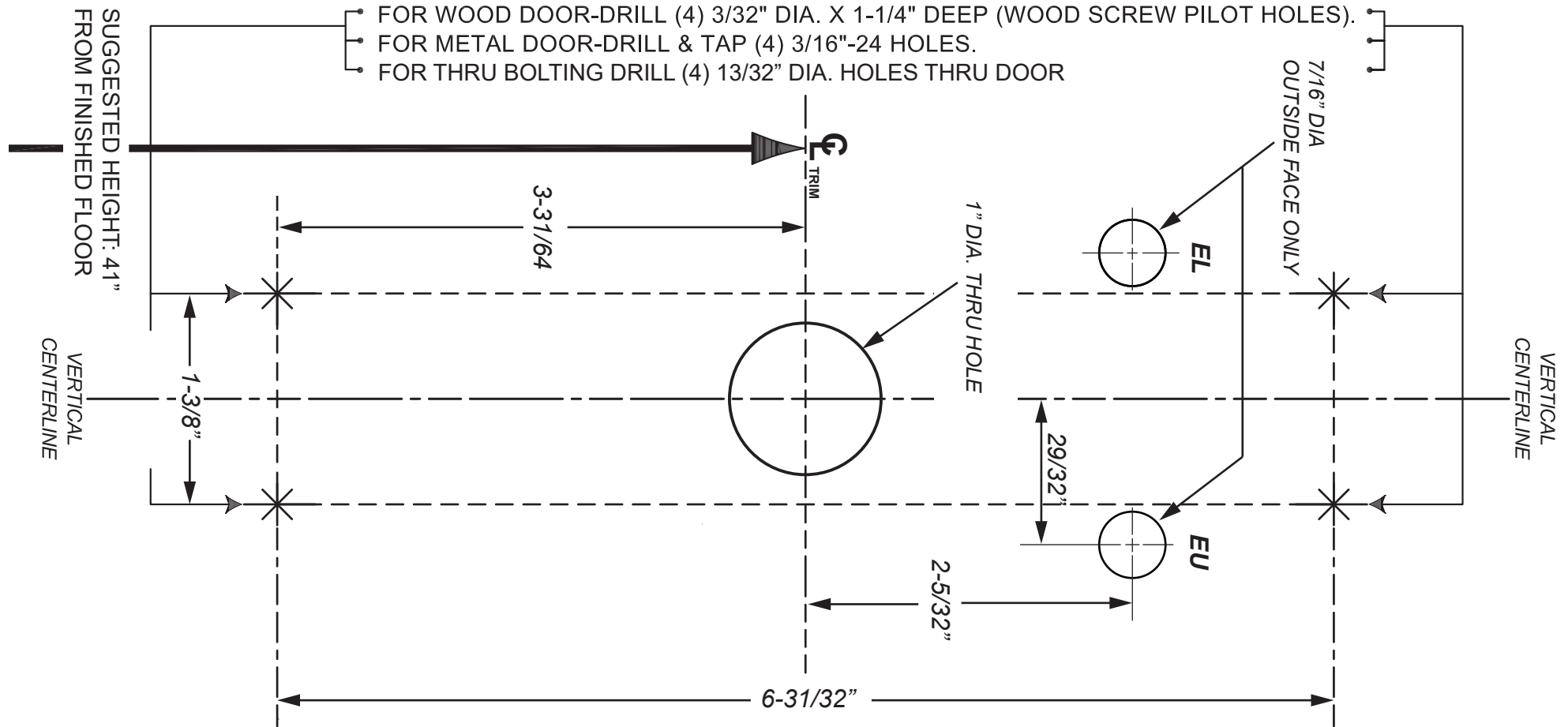
VOLTS	CURRENT	COIL RESISTANCE
11V~30VDC	330mA(11V)	8.2 Ohms +/- 10%
10V~24VAC	140mA(30V)	

SWITCHES: .25A 175VAC/DC

REE: Green - Common (C)
Blue - Normally Open (NO)
Gray - Normally Closed (NC)



TEMPLATE FOR ELECTRIFIED ESC77/98



CONVERSION		
FRACTION (inches)	DECIMAL (inches)	MILLIMETER (mm)
6-31/32"	6.484	164.69
2-5/32"	2.156	57.76
29/32"	0.906	23.01
1-3/8"	1.375	34.93
3-31/64"	3.484	88.49
3/32"	0.094	2.39
1-1/4"	1.25	31.75
3/16"	0.1875	4.76
13/32"	0.4063	10.32
7/16"	0.4375	11.113

NOTE:
 IF DOOR IS PREPPED FOR 2-1/8" HOLE,
 ESCUTHEON PLATE WILL COVER HOLE.