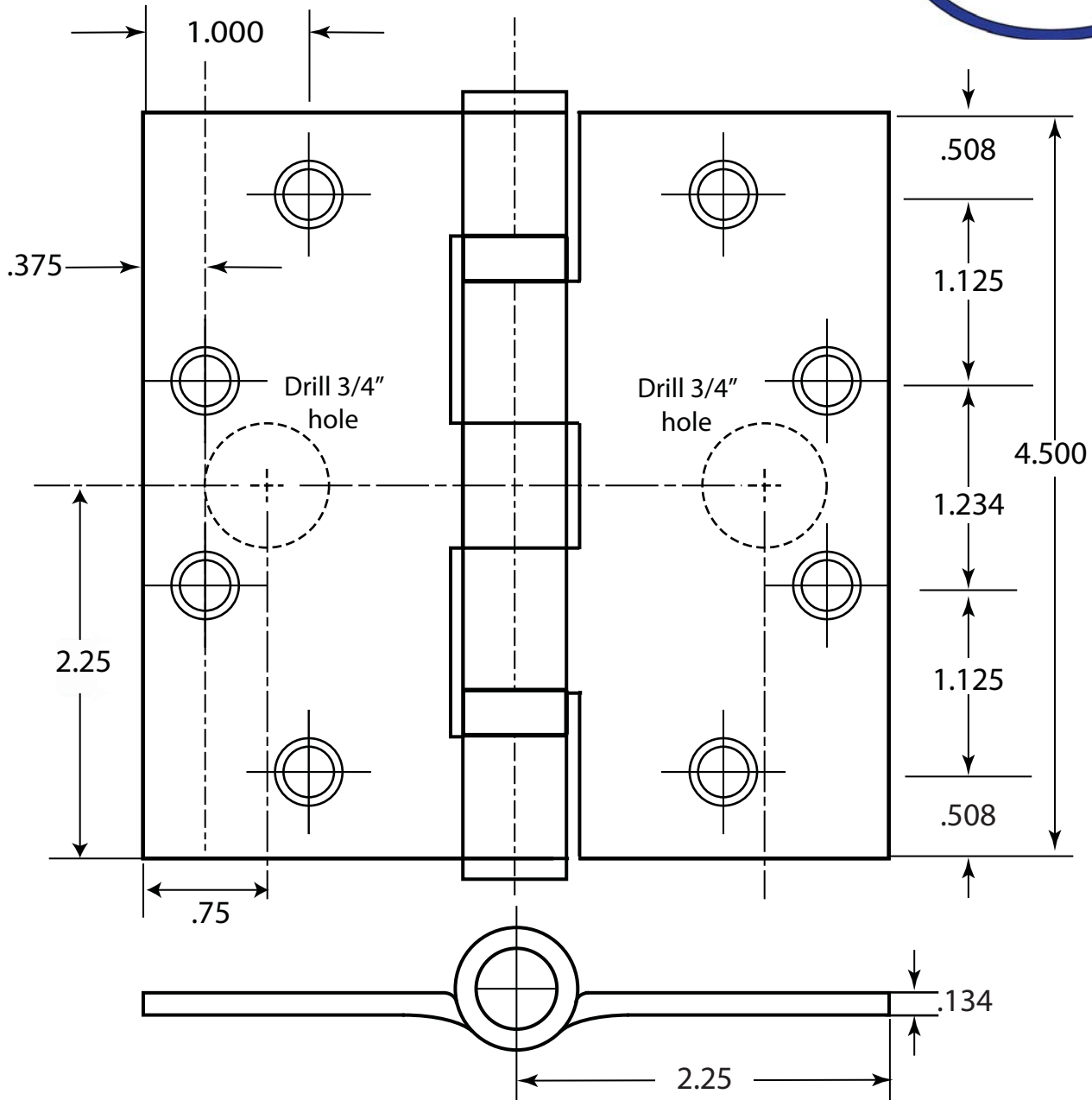


ELECTRIFIED HINGE TEMPLATE

4-1/2" X 4-1/2"



DOOR AND FRAME PREPARATION:

Use this template for location of wire entry holes on door and frame. Electric hinges are non-load bearing and must be mounted in the center hinge position only.

ELECTRICAL SPECIFICATIONS:

Model TEF2C: 24 volts AC/DC @ 5 amps
 Model TEF4C: 1 pair 1 amp 24 volts, 1 pair @ .250 amps
 Model TEF10C: 1 pair @ 1 amp, 4 pair @ .100 amps
 Model TEFDPS: 24 volts AC/DC @ .500 amps

INSTALLATION:

Do not attempt to disassemble hinge. Hinge must be installed assembled. Disassembly voids warranty.
 Do not force hinge into prep. Hinge must fit freely to avoid damage and/or shortened life. Do not hang hinge from wires. Damage can occur and will void warranty.
 After connections are made, slide wires through holes, making sure that wires are not pinched or rubbing on sharp edges.