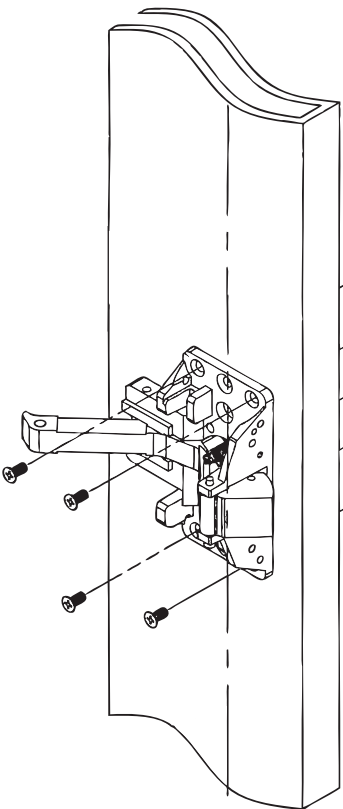




2200/2260 SERIES RIM & VERTICAL ROD DEVICE

INSTRUCTIONS FOR ESC LEVER TRIM



	ESC2200	ESC2230	ESC2240	ESC2205
	<p>Lockable ESC Lever Trim. Key locks & unlocks lever</p>	<p>No Cylinder. Trim always operable.</p>	<p>Pull when push bar is locked down. Dummy ESC Lever Trim</p>	<p>Key unlocks ESC Lever. Key remains in cylinder unless cylinder is in lock position.</p>
	ENTRANCE	PASSAGE	DUMMY	STOREROOM
	Attach the collar and mortise cylinder to the escutcheon case with mortise nut. Attach case to door and chassis while aligning spindle to hub at the same time then screw the thru-bolt.	Attach escutcheon case to door and chassis while aligning spindle to hub at the same time then screw the thru-bolt.	Attach the collar and dummy cylinder to the escutcheon case with mortise nut. Attach escutcheon case to door and chassis then screw the thru-bolt.	Attach the collar and mortise cylinder to the escutcheon case with mortise nut. Attach case to door and chassis while aligning spindle to hub at the same time then screw the thru-bolt.