

6600 & F6600 Rim Type Panic And Fire Exit Devices 6660 & F6660 Vertical Rod Panic And Fire Exit Devices ANSI A156.3, Grade 1



Features & Construction

- ◆ for use in Institutions, Schools, Universities, Commercial Buildings where heavy duty reliable operation is a requirement
- ◆ ANSI A156.3, Grade 1 Heavy Duty Exit Device in Surface Vertical Rod and Rim designs
- ◆ Rail assemblies are heavy duty extruded steel or stainless steel S304 body with steel or stainless steel S304 push pad and end caps. Rail travels in direction of the door swing
- ◆ Trims are thru-bolted for additional security
- ◆ UL Listed for Panic and ULC10C, UBC 7-2-1997 codes
- ◆ UL Listed for Fire Exit Hardware. 3 hours
- ◆ (A) label rating on pairs of doors up to 8'0" x 8'0" swinging in same or opposite directions
- ◆ Uncompromising security and safety in single and double fire exit doors
- ◆ Chassis mounted unit construction. Rim and Vertical Rod Devices are non-handed and easily reversible
- ◆ Available in many different functions. Lever and escutcheon trims are Grade 1 construction with clutch on rose trims and covers 161 cut-out. Escutcheon trims comes in standard and heavy duty construction. Grade 2 levers are also available with clutch and rigid on rose trims, as well as different pulls, thumbpiece trims and night latches.

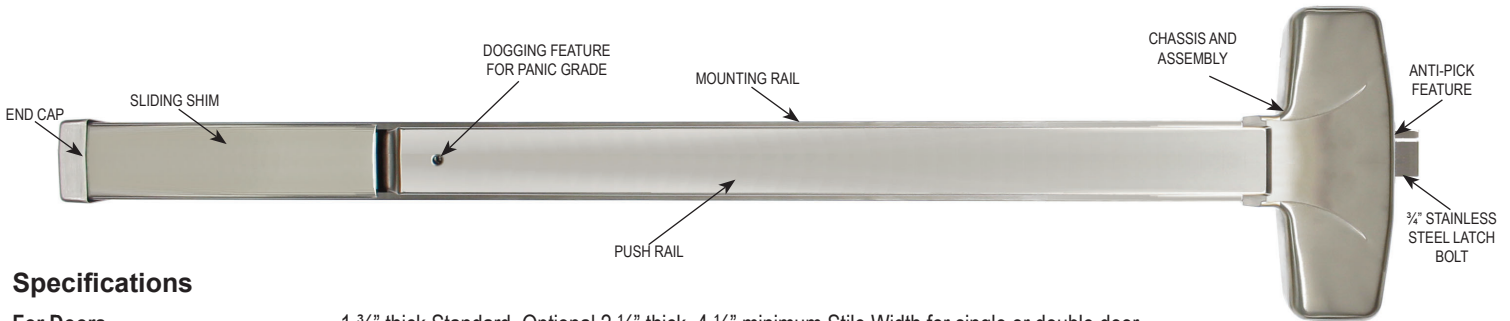
Suggested Architect's Specifications

- ◆ All Exit Devices shall be of touch bar design with smooth operation and be operative over $\frac{2}{3}$ of the door's clear opening width
- ◆ All Exit Devices must be listed under "Panic Hardware" in the Accident Equipment List of Underwriters' Laboratories, Inc. where labeled doors are used as exits, they must be equipped with labeled Fire Exit Hardware and UL10C, UBC 7-2-1997 codes
- ◆ All Springs shall be of Stainless Steel throughout
- ◆ All Exit Devices shall be of chassis mounted unit construction
- ◆ All Exit Devices shall be ANSI A156.3, Grade 1

6600 & F6600 Series



GRADE 1 Rim Type Exit Device



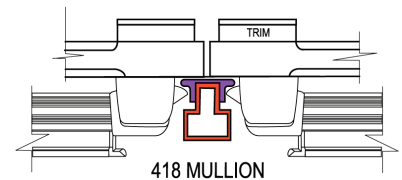
Specifications

For Doors.....	1 3/4" thick Standard. Optional 2 1/4" thick. 4 1/2" minimum Stile Width for single or double door application using standard 938 strike and pull lever, thumbpiece and escutcheon trims. 2 1/4" Backset
Chassis.....	Steel material for Panic and Fire Grade.
Cover.....	Zinc or Stainless Steel S304 material. Covers stock hollow metal doors with 161 cut out
Mounting.....	Furnished with wood and machine screws. Available thru-bolts on request. (5) Thru-Bolts are included and standard packaging on fire rated devices
End Cap.....	Steel or Stainless Steel S304 construction
End Bracket.....	Steel material
Hand.....	Non-Handed, center hub for 2 1/4" Backset
Latch Bolt.....	Stainless Steel S304, 3/4" throw with anti-pick feature
Spring.....	Stainless Steel S304 material
ANSI Standard.....	A156.3, Grade 1
Rail Assembly.....	Heavy Gauge Extruded Steel body with Steel or Stainless Steel S304 push pad
Strike.....	938 packed standard (See strike page)
Dogging Feature.....	Allen-Type key furnished standard on non-fire labeled devices
Mullion.....	Available
UL and ULC Listed.....	6600 Series for Panic. F6600 Series for Fire Exit hardware for all types of 4' x 8' single doors and 8' x 8' double doors for up to 3 hour fire labeled installations. Conforms to standards UL10C and UBC 7-2-1997 codes
Finish.....	Architectural plated finishes

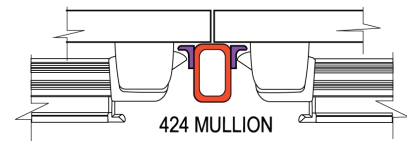
4 1/2" Minimum Stile Requirements

DOUBLE DOOR

4 1/2" MIN. STILE

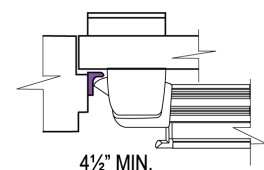


418 MULLION



424 MULLION
4 3/8" MIN. STILE

SINGLE DOOR



4 1/2" MIN.

DIMENSIONS				
Touchbar height to finished floor	41" (1041 mm) at center			
Touchbar projection				
Neutral	2 5/8" (67 mm)			
Depressed	1 7/8" (48 mm)			
Center case	8 1/16" x 2 3/4" x 2 1/2" (205 mm x 70 mm x 63 mm)			
MODEL	ACTUAL LENGTH	MAX CUT DOWN	DOOR SIZE	PUSH BAR LENGTH
6600EO36 and F6600EO36	32"	6"	30" to 36" door width	21"
6620EO48 and F6620EO48	44"	12"	36" to 48" door width	26 1/2"

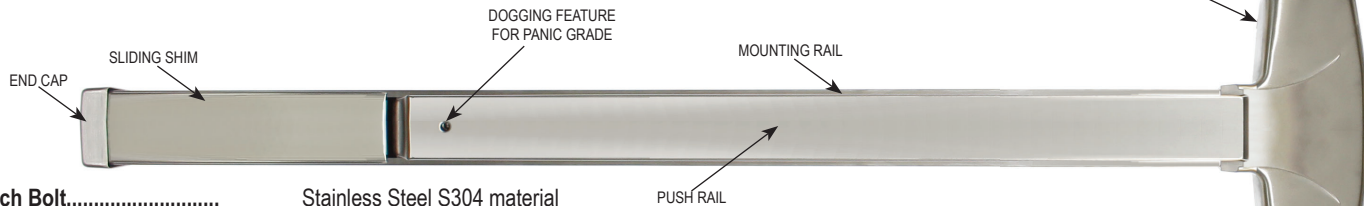
6660V & F6660V Series

GRADE 1 Vertical Rod Type Exit Device



Specifications

For Doors.....	1 3/4" thick Standard. Optional 2 1/4" thick. 3 3/4" minimum Stile Width required for single door application. 3 1/2" minimum Stile Width required for double door application. Lever, thumb piece and escutcheon trims available. 2 3/4" backset
Top & Bottom Chassis.....	Steel material for Panic and Fire Grade.
Cover.....	Aluminum, Zinc or Stainless Steel S304 material. Covers stock hollow metal doors with 161 cut out.
Mounting.....	Furnished with wood and machine screws. (9) Thru-Bolts are included and standard packaging on fire rated devices.
End Cap.....	Steel or Stainless Steel S304 construction
End Bracket.....	Steel material
Hand.....	Handed. Easily field reversible. Specify at time of order LHR, RHR for convenience

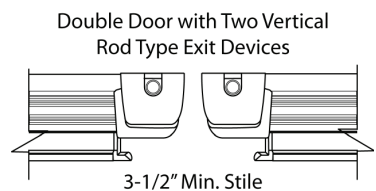


Latch Bolt.....	Stainless Steel S304 material
Rod Guide.....	Steel or Stainless Steel S304
ANSI Standard.....	A156.3, Grade 1
Rail Assembly.....	Heavy gauge extruded Steel or Stainless Steel S304 body and push pad
Strike.....	Top Strike, Bottom Strike, Optional Handicap Bottom Strike (See strike page)
Dogging Feature.....	Allen-type key furnished standard on non-fire labeled devices
UL and ULC Listed.....	6660 Series for panic. F6660 Series for fire exit hardware for all types of 8' x 8' double doors for up to 3 hour fire labeled installations. Conforms to standards UL10C and UBC 7-2-1997 codes
Finish.....	Architectural plated finishes



DIMENSIONS				
Touch bar height to finished floor	41" (1041 mm) at center			
Touch bar projection				
Neutral	2 5/8" (67 mm)			
Depressed	1 7/8" (48 mm)			
Center case	8 1/16" x 2 3/4" x 2 1/2" (205 mm x 68 mm x 62 mm)			
Panic grade top & bottom latch case	4" x 2" x 1 3/4" (102 mm x 51 mm x 44 mm)			
Fire grade top & bottom latch case	4" x 2" x 1 3/4" (102 mm x 51 mm x 44 mm)			
Top and bottom rod length for 36" x 84" doors	Top rod 37 1/2" (953 mm), bottom rod 33 1/2" (851 mm)			
Top and bottom rod length for 48" x 96" doors	Top rod 37 1/2" + 12" ETR (1257 mm), bottom rod 33 1/2" (851 mm)			
Vertical Rods	15/32" (11.9 mm) round tubing			
MODEL	ACTUAL SIZE	MAX CUT DOWN	DOOR SIZE	PUSH BAR LENGTH
6660V3684, F6660V3684	32"	6"	30" to 36" door width	21"
6680V4896, F6680V4896	44"	12"	38" to 48" door width	26 1/2"

MINIMUM STILE REQUIREMENTS



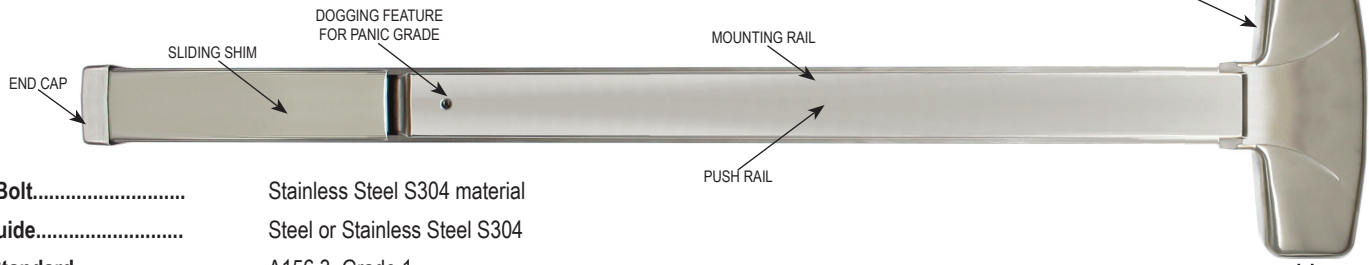
LBR6660V & LBRF6660V Series

GRADE 1 Vertical Rod Exit Device Less Bottom Rod (LBR)

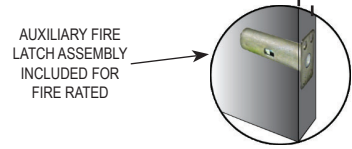


Specifications

For Doors.....	1 3/4" thick Standard. Optional 2 1/4" thick. 3 3/4" minimum Stile Width required for single door application. 3 1/2" minimum Stile Width required for double door application. Lever, thumb piece and escutcheon trims available. 2 3/4" backset
Top Chassis.....	Steel material for Panic and Fire Grade.
Cover.....	Aluminum, Zinc or Stainless Steel S304 material. Covers stock hollow metal doors with 161 cut out.
Mounting.....	Furnished with wood and machine screws. (7) Thru-Bolts are included and standard packaging on fire rated devices.
End Cap.....	Steel or Stainless Steel S304 construction
End Bracket.....	Steel material
Hand.....	Handed. Easily field reversible. Specify at time of order LHR, RHR for convenience



Latch Bolt.....	Stainless Steel S304 material
Rod Guide.....	Steel or Stainless Steel S304
ANSI Standard.....	A156.3, Grade 1
Rail Assembly.....	Heavy gauge extruded Steel or Stainless Steel S304 body and push pad
Strike.....	Top Strike (See strike page)
Auxiliary Fire Latch.....	Stainless Steel S304 material. Strike hole plug is included in the standard packaging (for fire rated devices only).
Head Cover Plug.....	ABS Plastic construction
Dogging Feature.....	Allen-type key furnished standard on non-fire labeled devices
UL and ULC Listed.....	6660 Series for panic for up to 8' x 10' double doors. F6660 Series for fire exit hardware for all types of 8' x 8' double doors for up to 3 hour fire labeled installations. Conforms to standards UL10C and UBC 7-2-1997 codes
Finish.....	Architectural plated finishes

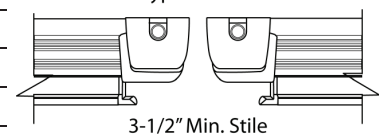


DIMENSIONS

Touch bar height to finished floor	41" (1041 mm) at center
Touch bar projection	
Neutral	2 5/8" (67 mm)
Depressed	1 7/8" (48 mm)
Center case	8 1/16" x 2 3/4" x 2 1/2" (205 mm x 68 mm x 62 mm)
Panic grade top latch case	4" x 2" x 1 3/4" (102 mm x 51 mm x 44 mm)
Fire grade top latch case	4" x 2" x 1 3/4" (102 mm x 51 mm x 44 mm)
Top rod length for 36" x 84" doors	Top rod 37 1/2" (953 mm), bottom rod 33 1/2" (851 mm)
Top rod length for 48" x 96" doors	Top rod 37 1/2" + 12" ETR (125 7 mm), bottom rod 33 1/2" (851 mm)
Vertical Rods	15/32" (11.9 mm) round tubing

MINIMUM STILE REQUIREMENTS

Double Door with Two Vertical Rod Type Exit Devices



MODEL	ACTUAL SIZE	MAX CUT DOWN	DOOR SIZE	PUSH BAR LENGTH
LBR6660V3684, LBRF6660V3684	32"	6"	30" to 36" door width	21"
LBR6680V4896, LBRF6680V4896	44"	12"	38" to 48" door width	26 1/2"

Alarm Exit Hardware



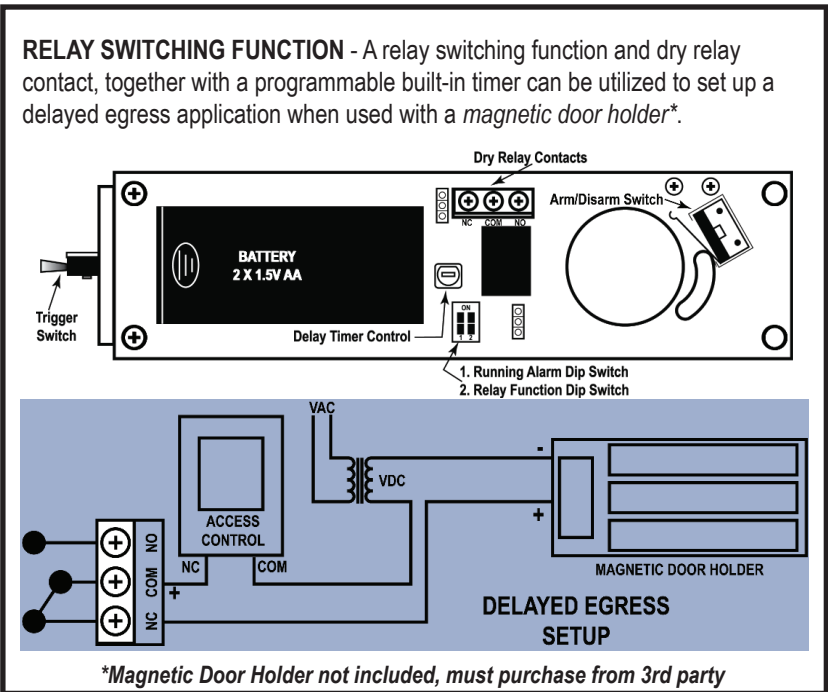
PANIC GRADE	FIRE GRADE
NALRM660036 - Alarm Rim Type 36" Door	FNALRM660036 - Alarm Rim Type 36" Door
NALRM662048 - Alarm Rim Type 48" Door	FNALRM662048 - Alarm Rim Type 48" Door

FEATURES

- Alarm unit has an internal horn. When the push rail is depressed, the horn sounds to provide an audible means of signaling that the door has been opened and breached.
- The alarm will sound continuously for 150 seconds or until disarmed. A running alarm mode can be set to sound a 6-second beep every 6 seconds after the initial 150 seconds expires. Running alarm will sound until the unit is disarmed or until battery runs out of power.
- Alarm sound frequency is 120 db
- The key switch to turn alarm off is a standard 1 1/4" cylinder with "C" keyway. The alarm operates on two standard 1.5-volt AA battery.
- Unit includes a decal for application on door or unit: **"EMERGENCY EXIT ONLY ALARM WILL SOUND"**
- **FIRE ALARM** - a built-in heat sensor will sound a continuous 0.3 sec interval beeping sound when surrounding temperature reaches 122°F ±7.2°F, until it is disarmed or the temperature goes down to 113°F or below.
- **LOW BATTERY ALARM** - When battery voltage drops to 2.4VDC ± 0.1VDC a 0.3 sec beep every 3 seconds will sound.



FOR OTHER TYPES, PREFIX "NALRM" BEFORE PART#



Cylinder Dogging Kit

TO ORDER: Prefix "CD" before PART #. Available for all 6600 Series devices except fire exit hardware.
To order KIT ONLY: use PART # 36CD6600 for 36" and 48CD6600 for 48" devices. Specify finish.

Finishes (Refer to Price List for Stock Finishes)

Cal-Royal	Description	BHMA	US Finish	Material
DURO	Duronodic	313	710	Bronze
ALUM	Aluminum	628	US28	Aluminum
US32D	Satin Stainless	630	US32D	Stainless Steel

- (IC) INTERCHANGEABLE CORE locks will accept compatible 6 or 7-Pin cores with **BEST, FALCON and ARROW**.
- (ICSC) INTERCHANGEABLE CORE available with **Schlage Full Size Format**. Corbin, Sargent and Yale format also available.



Trim Selection

CLUTCH CYLINDRICAL LEVER



Non-Handed Grade 1 (Clutch Style)

Cylindrical body hardened steel heavy duty tailpiece.

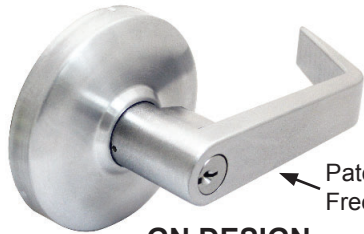
For 1 3/4" and 2 1/4" doors.

Prefix "THI" before Part # for 2 1/4" door thickness.

Available for fire and non-fire rated rim and vertical rod exit devices.

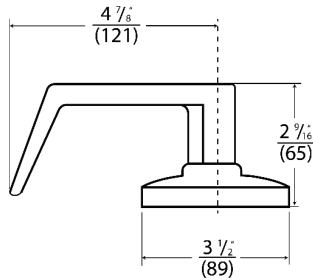
Rose diameter 3 1/2", lever length 4 3/4". Fits and covers 161 cutout.

Finishes: Architectural plated finishes.



GN DESIGN

Patented Clutch Freewheeling



ENT00L or

- ICENT00L or
- ICSCENT00L4
- SARICENT00L (Sargent)
- RUSICENT00L (Corbin / Russwin)
- YALICENT00L (Yale)

ENTRANCE

Key locks and unlocks lever. Operates as CLASSROOM FUNCTION.

ANSI Function (08)

STR05L or

- ICSTR05L or
- ICSCSTR05L4
- SARICSTR05L (Sargent)
- RUSICSTR05L (Corbin / Russwin)
- YALICSTR05L (Yale)

STOREROOM

Key operates lever, otherwise always locked. ANSI Function (09)

PAS30L

PASSAGE

Trim always operable and free. ANSI Function (14)

DUM40L

DUMMY

Dummy trim. One sided ANSI Function (02)

KEYWAY: 6-Pin solid brass "C" keyway standard. Optional: Schlage E, Schlage C-K, Russwin D1-2-3-4, Corbin 59/60, Sargent LA-LB-LC, Falcon/Weiser E, Arrow A, Yale 8, Yale GA and Kwikset. Can also accept Medeco, Assa, Kaba and **Cal-Royal HSK** High Security Cylinders.

• (IC) **INTERCHANGEABLE CORE:** Interchangeable Core locks will accept compatible 6 or 7-Pin cores with **BEST, FALCON and ARROW.**

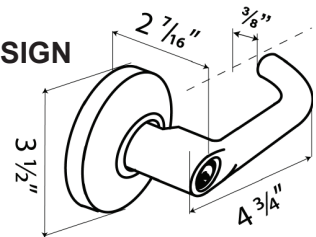
• (ICSC) **INTERCHANGEABLE CORE:** Indicates function available with **SCHLAGE Full Size Format. CORBIN / RUSSWIN, SARGENT and YALE** format also available. Interchangeable Core in all three lever designs (GN, AT & SPA).

Other Lever Trim Designs



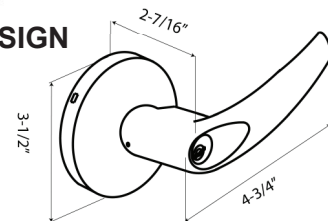
• Available in SFIC

TUB DESIGN



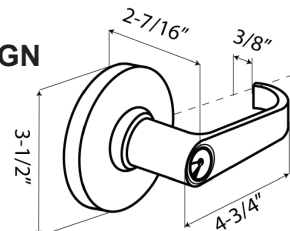
• Available in SFIC & LFIC

AT DESIGN



• Available in SFIC & LFIC

SPA DESIGN



KEYWAY

SCHLAGE -
CORBIN/RUSSWIN -
SARGENT -
YALE -

[ICSC
RUSIC
SARIC
YALIC]

DESIGN

[AT
SPA]

+ FUNCTION + FINISH

HOW TO ORDER IN LFIC

Example: ICSCENT00L4 US26D
in "SPA" design is
ICSCSPAENT00L4

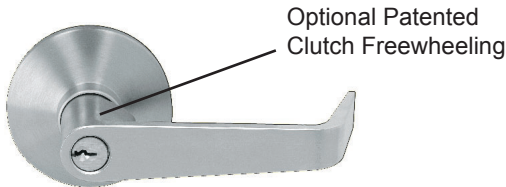
Trim Selection



LEVER DESIGN

Non-Handed (Optional Clutch)

Tubular body hardened steel heavy duty tailpiece. For 1 3/4" doors. Available for fire and non-fire rated rim and vertical rod exit devices. Rose diameter 3 1/2", lever length 4 3/4". Fits and covers 161 cutout. Finishes: US26D, 10B, 3

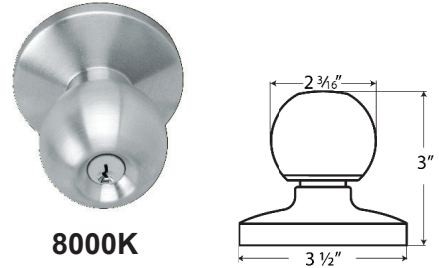


- 8000L** ENTRANCE
Key locks and unlocks lever. Operates as classroom function. ANSI Function (08)
- CLU5000L** CLUTCH FREE WHEELING (ENTRANCE)
Key locks and unlocks lever. Operates as classroom function. ANSI Function (08)
- 8000S** STOREROOM
Key retracts latchbolt, otherwise always locked. ANSI Function (09)
- 8000PAS** PASSAGE
Lever always operable and free. ANSI Function (14)
- 8000DUM** DUMMY
Dummy trim. One sided. ANSI Function (02)

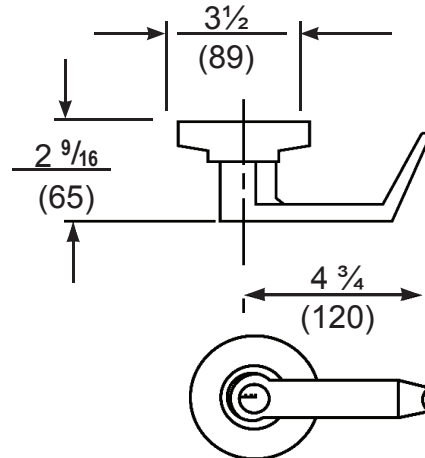
KNOB DESIGN

Non-Handed

Tubular body hardened steel heavy duty tailpiece. For 1 3/4" doors. Available for fire and non-fire rated rim and vertical rod exit devices. Rose diameter 3 1/2". Fits and covers 161 cutout. Finishes: US32D, 10B, 3



- 8000K** ENTRANCE
Key locks and unlocks lever. Operates as classroom function. ANSI Function (08)
- 8000KSTR** STOREROOM
Key retracts latchbolt, otherwise always locked. ANSI Function (09)



KEYWAY: 6-Pin solid brass "C" keyway standard. Optional: Schlage E, Schlage C-K, Russwin D1-2-3-4, Corbin 59/60, Sargent LA-LB-LC, Falcon/Weiser E, Arrow A, Yale 8, Yale GA and Kwikset. Can also accept Medeco, Assa, Kaba and **Cal-Royal HSK** High Security Cylinders.

PULL DESIGN

FOR RIM DEVICES ONLY

Outside by pull and key. Key retracts latchbolt. ANSI Function (03) Covers 161 cutout.

FINISHES

Powder Coated Aluminum (ALUM)

5000NL



5000DTP



Outside by pull only. Pull when dogged. ANSI Function (02) Covers 161 cutout.

5000EOP



Outside by plate only. ANSI Function (01) Covers 161 cutout.

Trim Selection



CLUTCH LEVER ESCUTCHEON

CONSTRUCTION

- Non-Ferrous Alloy Material
- Clutch Mechanism
- Double Heavy Duty Spring Support to prevent sagging and enhance operation
- Grade 1, Thru-Bolted design. Non-Handed design.
- Easily field reversible
- Hardened Steel Heavy Duty Spindle.
- Available for Fire and Non-Fire Rated Rim and Vertical Rod Exit Devices
- Standard 6-Pin Schlage "C" Mortise Cylinder included

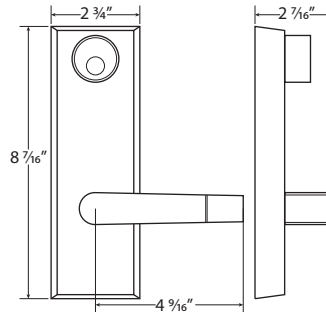
DOOR THICKNESS

Standard 1 3/4" to 2". For 2 1/4" thick door use additional **Part # TAIL3**

ESCUTCHEON DIMENSIONS

2 3/4" width x 8 7/16" length. Lever length: 4 9/16".

Fits and covers 2 1/8" 161 cutout



TO ORDER other lever design insert "RL" or "TUB" before "ESC":

e.g. **RLESC6600** for ESC6600 with RL design or **TUBESC6600** for ESC6600 with TUB design

ESC6600

Ⓜ ICESC6600

Ⓜ ICSCESC6600

ENTRANCE

Clutch Entrance, key locks or unlocks escutcheon trim
ANSI Function (08) Operates as classroom function

ESC6605

Ⓜ ICESC6605

Ⓜ ICSCESC6605

STOREROOM

Clutch Storeroom, key unlocks lever, lever retracts latch bolt, otherwise always locked. ANSI Function (09)

ESC6630

PASSAGE

Trim always operable and free. ANSI Function (14)

ESC6640

DUMMY

Dummy Escutcheon trim ANSI Function (02)

KEYWAY: 6-Pin solid brass "C" keyway Mortise Cylinder standard. Optional: Schlage E, Schlage C-K, Russwin D1-2-3-4, Corbin 59/60, Sargent LA-LB-LC, Falcon/Weiser E, Arrow A, Yale 8, Yale GA and Kwikset. Can also accept Medeco, Assa, Kaba and **Cal-Royal HSK High Security** Cylinders.

Lever Trim Designs



ESC6600



RLESC6600



TUBESC6600

Ⓜ (IC) INTERCHANGEABLE CORE locks will accept compatible 6 or 7-Pin cores with **BEST, FALCON and ARROW.**

Ⓜ (ICSC) INTERCHANGEABLE CORE available with **Schlage Full Size Format. Corbin, Sargent and Yale** format also available.

Trim Selection

HEAVY DUTY STAINLESS STEEL CLUTCH LEVER ESCUTCHEON

(High Frequency Abusive Situation such as Schools, Hospitals, Industrial / Institutional)

CONSTRUCTION

- Stainless Steel Material
- Clutch Mechanism
- Double Heavy Duty Spring Support to prevent sagging and enhance operation
- Grade 1, Thru-Bolted design. Non-Handed design.
- Easily field reversible
- Includes Adjustable Heavy Duty Steel Spindle.
- Available for Fire and Non-Fire Rated Rim and Vertical Rod Exit Devices
- Standard 6-Pin Schlage "C" Mortise Cylinder included

DOOR THICKNESS

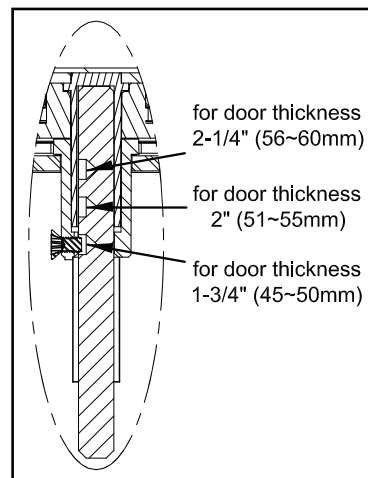
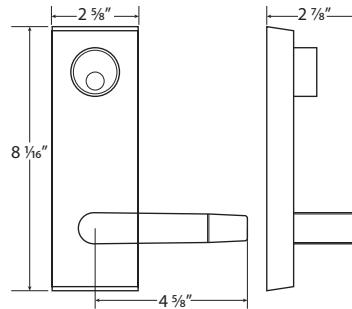
Standard 1 3/4" to 2 1/4".

Use Adjustable Spindle for 1 3/4", 2, 2 1/4" door thickness.

ESCUTCHEON DIMENSIONS

2 5/8" width x 8 1/16" length. Lever length: 4 5/8".

Fits and covers 2 1/8" 161 cutout



Lever Trim Designs



ESC3300



RLESC3300



TUBESC3300

ESC3300

Ⓜ ICESC3300

Ⓜ ICSCESC3300

ESC3305

Ⓜ ICESC3305

Ⓜ ICSCESC3305

ESC3330

ENTRANCE

Clutch Entrance, key locks or unlocks escutcheon trim

ANSI Function (08) Operates as classroom function

STOREROOM

Clutch Storeroom, key unlocks lever, lever retracts latch

bolt, otherwise always locked. ANSI Function (09)

PASSAGE

Trim always operable and free. ANSI Function (14)

ESC3340

DUMMY

Dummy Escutcheon trim ANSI Function (02)

TO ORDER other lever design insert "RL" or "TUB" before "ESC":
e.g. **RLESC3300** for ESC3300 with RL design
or **TUBESC3300** for ESC3300 with TUB design

KEYWAY: 6-Pin solid brass "C" keyway Mortise Cylinder standard. Optional: Schlage E, Schlage C-K, Russwin D1-2-3-4, Corbin 59/60, Sargent LA-LB-LC, Falcon/Weiser E, Arrow A, Yale 8, Yale GA and Kwikset. Can also accept Medeco, Assa, Kaba and **Cal-Royal HSK High Security** Cylinders.

Ⓜ (IC) **INTERCHANGEABLE CORE** locks will accept compatible 6 or 7-Pin cores with **BEST, FALCON and ARROW**.

Ⓜ (ICSC) **INTERCHANGEABLE CORE** available with **Schlage Full Size Format. Corbin, Sargent and Yale** format also available.

Trim Selection



PULL DESIGN

- 7700 NL
- IC7700NL
- ICSC7700NL

FOR RIM DEVICES ONLY

Outside by pull and key.
Key retracts latch bolt.
ANSI function (03)
Covers 161 cutout

KEYWAY

Standard 6-Pin solid brass "C" keyway Rim Cylinder included.

FINISHES

Architectural plated finishes.



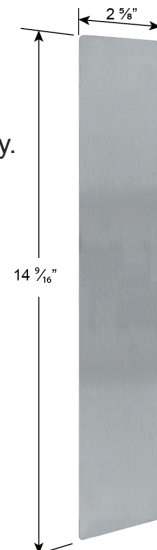
7700 DTP

Outside by pull only.
Pull when dogged.
ANSI function (02)
Covers 161 cutout.



7700 EOP

Outside by plate only.
ANSI function (01)
Covers 161 cutout



IMPORTANT: 7700 Series Exit Device Trims shown on this page can be used on the 6600 Series Exit Devices

- 77TP00 or
- IC77TP00
- ICSC77TP00

ENTRANCE

Key locks or unlocks thumbpiece.
(Operates as classroom function)
ANSI Function (05)

- 77TP05 or
- IC77TP05
- ICSC77TP05

STOREROOM

Key unlocks thumbpiece, thumbpiece retracts latch bolt, otherwise always locked.
ANSI Function (06)

77TP30

PASSAGE

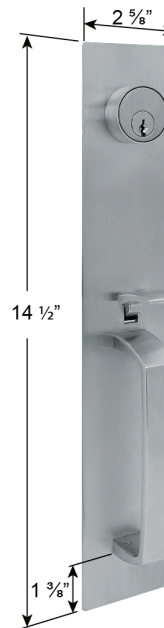
Trim always operable and free.
ANSI Function (15)

77TP40

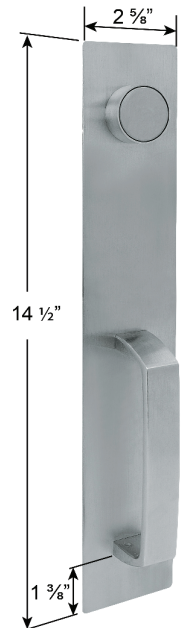
DUMMY

Dummy trim. **Includes blank Mortise dummy cylinder.** One sided.
ANSI Function (02)

KEYED



DUMMY



KEYWAY: 6-Pin solid brass "C" keyway Mortise Cylinder standard. Optional: Schlage E, Schlage C-K, Russwin D1-2-3-4, Corbin 59/60, Sargent LA-LB-LC, Falcon/Weiser E, Arrow A, Yale 8, Yale GA and Kwikset. Can also accept Medeco, Assa, Kaba and **Cal-Royal HSK** High Security Cylinders.

● (IC) INTERCHANGEABLE CORE

Interchangeable Core locks will accept compatible 6 or 7-Pin cores with BEST, FALCON and ARROW.

- (ICSC) INTERCHANGEABLE CORE: Indicates function available with **Schlage Full Size Format** Interchangeable Core. Corbin, Sargent and Yale format also available.

FINISHES

Architectural plated finishes.

Trim Selection

PULL DESIGN



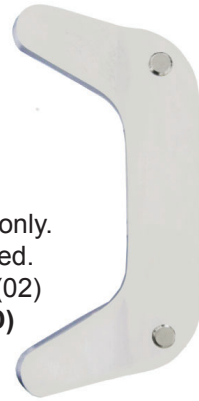
98GLSNL
IC98GLSNL
ICSC98GLSNL

Outside by pull and key.
 Key retracts latch bolt.
 ANSI Function (03)
(SPECIFY HANDING)



98GLSUP

Outside by pull only.
 Pull when dogged.
 ANSI Function (02)
(NON-HANDED)



GLSRIMEOP

Outside cover plate only.
ANSI Function (01)

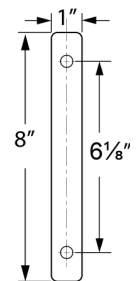
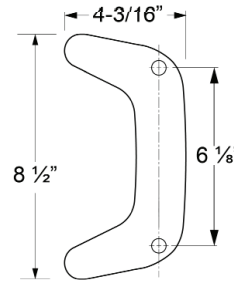
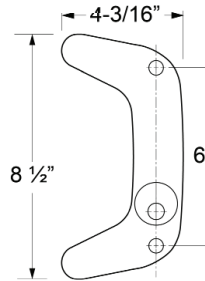


KEYWAY

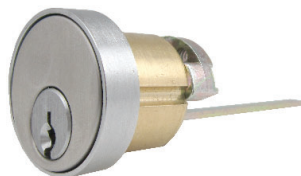
Standard 6-Pin solid brass "C" keyway Rim Cylinder included.

FINISHES

Architectural plated finishes.



IMPORTANT: GLS9800 and GLSCVR9800
 Trims shown on this page can be used on
 the 6600 Series Exit Devices



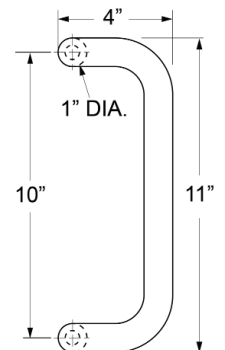
98GLSCYL-1



IC98GLSCYL-1
ICSC98GLSCYL-1



OFSTPUL-10
(REVERSIBLE)



KEYWAY: 6-Pin solid brass "C" keyway Rim Cylinder standard. Optional: Schlage E, Schlage C-K, Russwin D1-2-3-4, Corbin 59/60, Sargent LA-LB-LC, Falcon/Weiser E, Arrow A, Yale 8, Yale GA and Kwikset. Can also accept Medeco, Assa, Kaba and **Cal-Royal HSK** High Security Cylinders.

(IC) INTERCHANGEABLE CORE: Interchangeable Core locks will accept compatible 6 or 7-Pin cores with BEST, FALCON and ARROW

(ICSC) INTERCHANGEABLE CORE: Indicates function available with Schlage Full Size Format Interchangeable Core. Corbin, Sargent and Yale format also available.

Heavy Duty Digital Exit Trims



MECHANICAL CRCODE101

Features

- Heavy Duty
- Designed for 6600, 7700 and 9800 Series
- Grade 1 Panic Exit Device
- Single Code (up to 8000 code combinations)
- Weather-Resistant finish
- Code can be changed anytime without dismounting
- Full size, Non-Handed lever handle
- Easy Installation
- Reversible Handing

ELECTRONIC CRCODE007

Features

- Dual mode for code free entry either mechanically by key or electronically thru the keypad
- Designed for 6600, 7700 and 9800 Series
- Can store up to 90 different numeric user codes in 4, 5 or 6 digits
- Settings remain in memory when batteries are removed
- Audible alarm sounds after 3 incorrect attempts
- Connections available for remote release switch and automatic lock activation when linked to Fire alarm system
- Can be used as STOREROOM or CLASSROOM function
- Factory default set as STOREROOM function
- Fast and easy programming via master code

CR5000 TRILOGY® KEYLESS EXIT TRIM

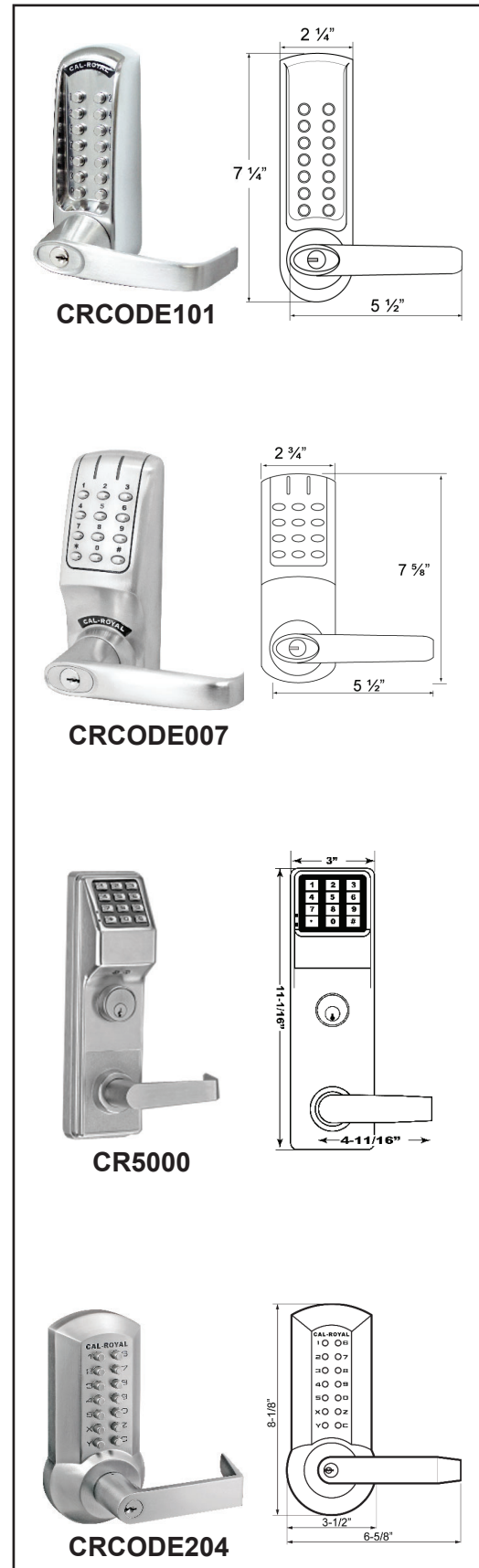
Features

- Clutch mechanism insures long life and durability
- Fingertip and / or Windows programmable
- 2000 User Codes: Master, manager, supervisor and users
- Real Time Clock for up to 40,000 Event Time / Date-Stamped Audit Trail
- Up to 500 Lock / Unlock Schedules (with Time Zone Support)
- Rugged 12-Button Metal Keypad
- Non-Handed; Fully Field Reversible
- Adaptable to most major manufacturers of standard RIM and IC RIM Cylinders
- Battery operated; uses 5 AA batteries
- Optional Interchangeable Core available with Best, Falcon, Arrow Small Format and Schlage Full Size Format IC Cores

MECHANICAL CRCODE204

Features

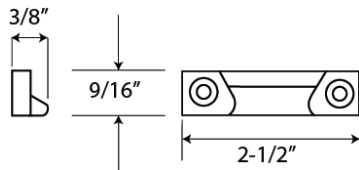
- Breakaway Lever Design
- Easy On-Door Code Change
- Weather Resistant
- Code-Free Option (Passage)
- Non-Handed
- 1 - 12 digit Length Code
- Thousands of Possible Code Combinations
- Single Code User
- Applications: Offices, Schools, Hospitals, Apartments, Hotels/Motels, Residential, Commerical and Public Buildings
- Door Thickness: 1 3/4" - 2"



Strike & Accessories

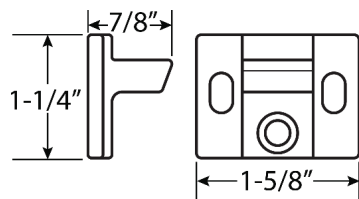


Strikes for use with 6660 and F6660 Vertical Rod Exit Device



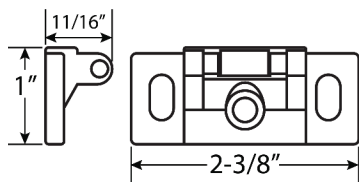
221

Optional Handicap Bottom Strike. Applied to surface of floor or to a flat threshold. Standard packaging.



620

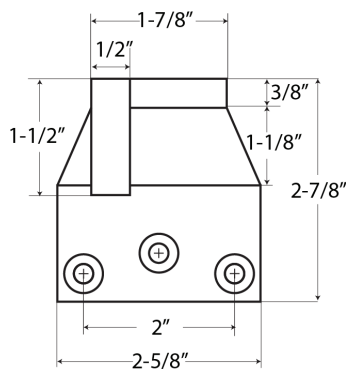
Top Strike. Standard packaging.



630

Bottom Strike. Applied to surface of floor or to a flat threshold. Standard packaging.

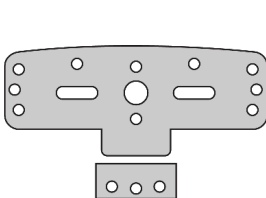
Overlapping Strikes



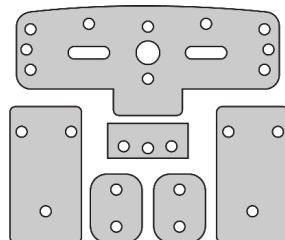
951

Surface applied. Used on inactive leaf for device on active leaf of pair of doors without mullion.

GLASS BEAD SHIM KITS

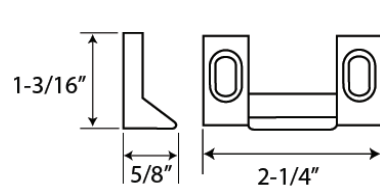


601 – for Rim type, 1/8" thick



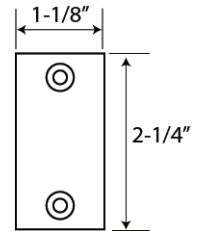
612 – for Vertical type, 1/8" thick

Additional Accessories



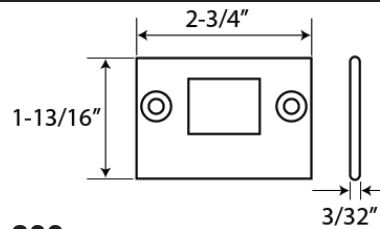
227

Applied to surface of stop. No mortise required.



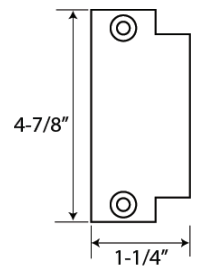
LFF

Lock front filler



233

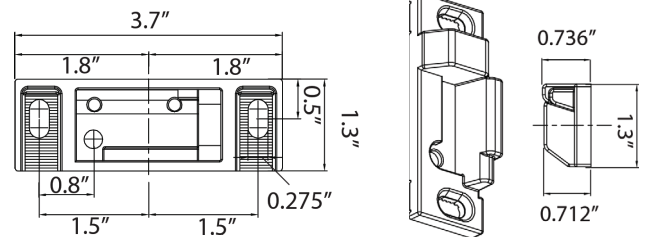
Bottom strike. Flush mounting stainless steel. Furnished with expansion shields. Requires mortise in the floor.



SF

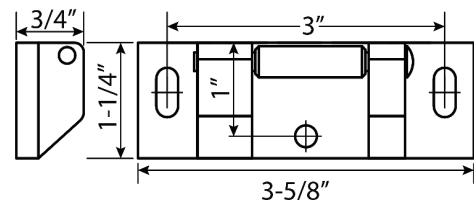
Strike filler

Strike for use with 6600 Rim Type Exit Device



938

for 6600 surface applied. Standard packaging.



660

Roller Rim Strike for 6600 surface applied. Optional.

Additional Rods

- EXTROD66-12** – Rod for 9' non-rated door
- EXTROD66-24** – Rod for 10' non-rated door

Fire Exit Hardware Selector



FIRE EXIT HARDWARE RATING			UL DOOR RATING
APPLICATION	MODEL #	MAXIMUM DOOR OPENING	(A) 3 HOUR
SINGLE DOORS Rim type	F6600EO36 F6620EO48	4'0" X 8'0"	✓
PAIRS OF DOORS Two surface mounted standard vertical rod type or less bottom rod (LBR) application. Prefix LBR before Part # a) Swinging in same direction b) Swinging in opposite direction (double egress)	F6660V3684 X F6660V3684	8'0" X 7'0"	✓
	F6680V4896 X F6680V4896	8'0" X 8'0"	✓
PAIRS OF DOORS Two rim type with Mullion	F6600EO36 F6620EO48	8'0" X 8'0"	✓

All fire rated exit devices in all applications, are also labeled for (B) 1 ½ hour, (C) ¾ hour, (D) 1 hour, (E) ¾ hour.
All fire exit hardware meet UL10C and UBC 7-2-1997 codes.

HOW TO ORDER INFORMATION

Exit device model number

Panic grade

6600 EO36 Rim type 36" door
6620 EO48 Rim type 48" door
6660 V3684 Vertical rod type 36" x 84"
6680 V4896 Vertical rod type 48" x 96"
EXTROD66-12 – Rod for 9' non-rated door
EXTROD66-24 – Rod for 10' non-rated door

Fire grade

F6600 EO36 Rim type 36" door
F6620 EO48 Rim type 48" door
F6660 V3684 Vertical rod type 36" x 84"
F6680 V4896 Vertical rod type 48" x 96"

- 1) Specify exit device model number according to size of door.
- 2) Specify trim selection. For Interchangeable Core prefix "IC" before Part #. See trim selection pages.
- 3) For vertical rod devices specify LHR (Left Hand Reverse) or RHR (Right Hand Reverse) for convenience easily field reversible, otherwise shipped as LHR.
- 4) Specify finish: Alum, Duro, or US32D Stainless Steel.
- 5) On thru-bolt applications, fire rated vertical rod devices are packed with thru-bolts as standard feature. Thru-bolts are also available for other devices. To order thru-bolts add "SBN" to trim pack.

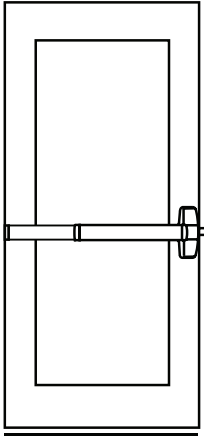
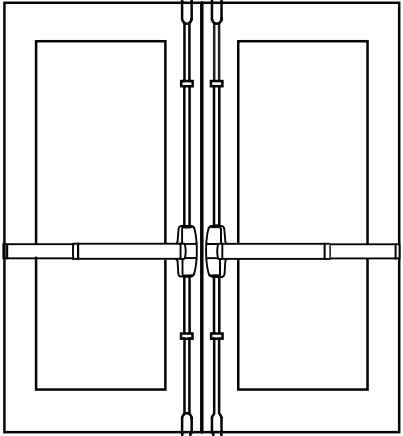
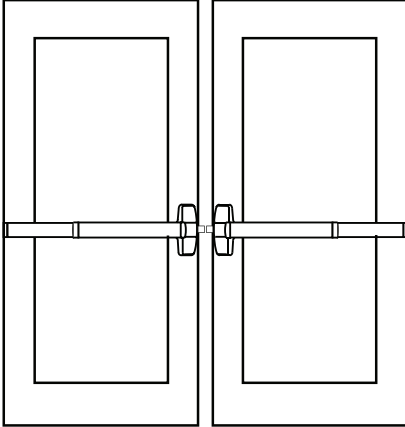
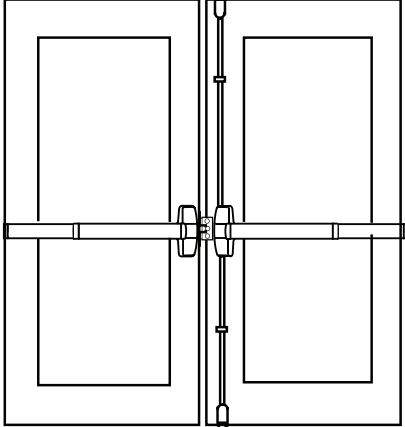
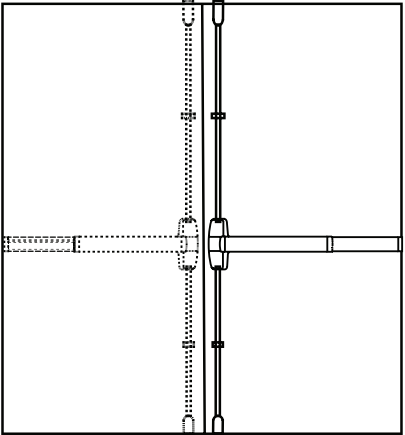
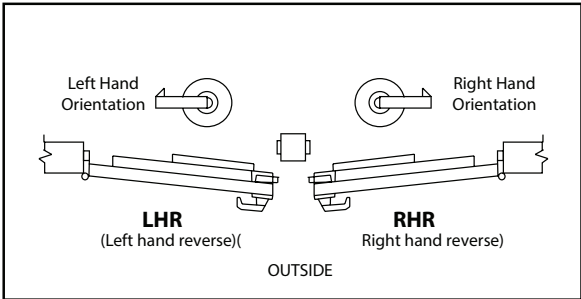
When ordering separately use following Part #

Cal-Royal Part # 357 — Thru-Bolts for Rim Devices, 6 pcs / pack.
Cal-Royal Part # 369 — Thru-Bolts for Vertical Rod Devices, 14 pcs / pack.
Cal-Royal Part # 363 — Thru-Bolts for Rim Devices, 6 pcs / pack for 2 ¼" thick doors.
Cal-Royal Part # 375 — Thru-Bolts for Vertical Rod Devices, 14 pcs / pack for 2 ¼" thick doors.

Ordering example: 6600EO36 ALUM X SBN X ENT00L 26D
F6680V4896 US32D X ICSTR05L 26D

6600 Series Fire and Non-Fire Exit Devices ANSI A156.3 Grade 1 Selector Chart



<p style="text-align: center;">SINGLE DOOR</p>  <p>Vertical rod type or Rim type Surface applied 2 point lock. Surface application.</p>	<p style="text-align: center;">PAIR OF DOORS WITHOUT MULLION</p>  <p>2 Vertical rod type Surface applied 2 point locking both doors. Each door active same direction. Do not use with overlapping astragal.</p>
<p style="text-align: center;">PAIR OF DOORS WITH MULLION</p>  <p>2 Rim type with mullion Two independent active doors with full double door openings when required. Same direction.</p>	<p style="text-align: center;">PAIR OF DOORS WITHOUT MULLION</p>  <p>1 Vertical rod and 1 rim type Both devices are surface applied. A coordinator and overlapping strike is recommended.</p>
<p style="text-align: center;">PAIR OF DOORS WITHOUT MULLION</p>  <p>2 Vertical rod type Double egress surface applied. 2 point locking both doors opposite directions.</p>	<p style="text-align: center;">HANDING</p>  <p style="text-align: center;">CAL-ROYAL PRODUCTS, INC. 6605 FLOTILLA ST., COMMERCE, CA 90040 U.S.A. TEL: (323) 888-6601 FAX: (323) 888-6699 Website: cal-royal.com * Email: sales@cal-royal.com</p>

Exit Devices Comparison Chart

RIM EXIT DEVICE CONVERSIONS	RIM	VERTICAL ROD	RIM	VERTICAL ROD	CONCEALED VERTICAL ROD	MORTISE RIM	NARROW STILE RIM	NARROW STILE CVR
ARROW	S1200	S1100	S3800 / 1800	S3700	S3600	S3900	S4803	S4601
CAL-ROYAL	6600 / 9800 / 7700	6660 / 9860 / 7760	2200 / 4400	2260	CVR6600 / MCVR9800 / WCVR9800 / MCVR7700 / WCVR7700	MR6600 / MR9800 / MR7700	GLS6600 / GLS9800 / GLS7700	GLSCVR6600 / GLSCVR9800 / GLSCVR7700
CORBIN / RUSSWIN	ED8200	ED8400	ED5400 / ED6000	ED4750	ED5800	ED5600	ED4200	ED4800
DETEX	V4000	---	10	20	70	30	V40NS	60
DORMA	8300	8400	9300	9400	9100	9500	AD4300	AD4100
PRECISION	5100	5200	2100 / 100	9800 / 200	2800	2300	2400	2600
SARGENT	2828	2727	8800 / 9898	8700	MD8600 / WD8600	8900	AD8500	AD8410
VON DUPRIN	98 / 99	9827 / 9927	98	9827	9947EO	9975EO	33A	3348
YALE	2100	2110	7100 / 1500	7110 / 1510	7120	7130	7250	7220



Distributed by: