

EXPLORER XP Series

HEAVY DUTY CYLINDRICAL LEVERSETS

ANSI - A156.2, Series 4000, Grade 2

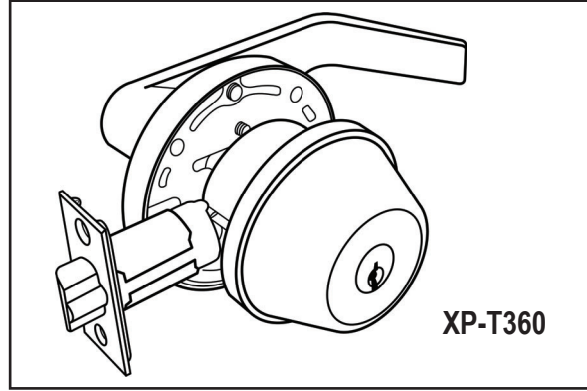
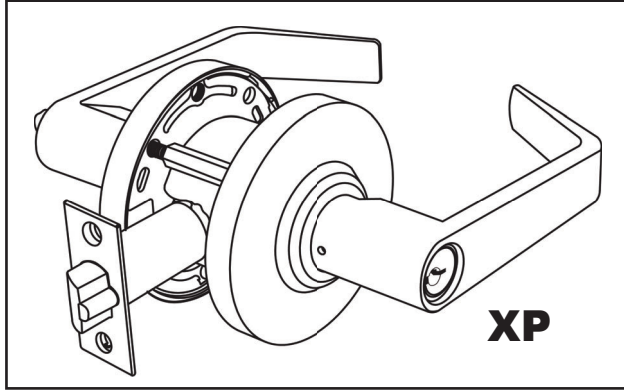
Optional Interchangeable Core for **Best, Falcon and Arrow**



MEETS
The Buy American Act

LIFETIME WARRANTY

BHMA
CERTIFIED
Be Safe. Be Secure. Look for the Mark.



STOCK ITEM FINISH IN BOLD
NON-STOCK FINISHES AND DESIGNS AVAILABLE WITH FACTORY LEAD TIME AND SUBJECT TO MINIMUM ORDER.

ANSI	FUNCTIONS	ITEM #	FINISHES				PCS / MC	
F109	Entrance	XP00	US26D	US3, 10BE, 10, 26, 4			US5, 15	10
		● ICXP00		US3, 10BE, 10, 26, 4				
F86	Storeroom	XP05		US3, 10BE, 10, 26, 4				
		● ICXP05		US3, 10BE, 10, 26, 4				
F84	Classroom	XP03		US3, 10BE, 10, 26, 4				
		● ICXP03		US3, 10BE, 10, 26, 4				
F76	Privacy (See below for split finishes)	XP20		US3, 10BE, 10, 26, 4				
---	Hospital Privacy	HXP20		US3, 10BE, 10, 26, 4				
F75	Passage	XP30		US3, 10BE, 10, 26, 4				
F89	Exit	XP50		US3, 10BE, 10, 26, 4				
----	Single Dummy	XP40				20		

ANSI	FUNCTIONS	ITEM #	FINISHES				PCS / MC
F86	Storeroom	XP-T360-05	US26D	US3	US10B	US5, 15	10

● (IC) Indicates function available with **Best, Falcon and Arrow** Interchangeable Core.

◆ **SPLIT FINISHES FOR PRIVACY FUNCTION**

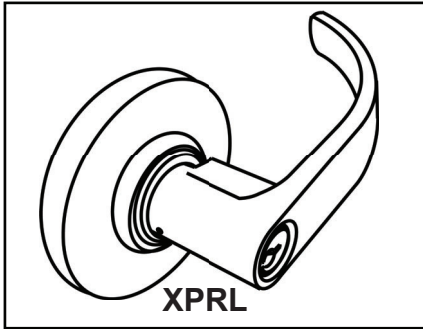
ILLUSTRATION	ITEM #	FUNCTIONS	ANSI	FINISHES	PCS / MC
	XP20	Privacy	F76	US3 / 26D (Inside)	10
				US4 / 26 (Inside)	
				US10B / 26 (Inside)	
				US4 / 26D (Inside)	

EXPLORER XPRL Series List Price

HEAVY DUTY CYLINDRICAL LEVERSETS

ANSI - A156.2, SERIES 4000, GRADE 2

● Optional Interchangeable Core for **Best, Falcon and Arrow**




STOCK ITEM FINISH IN BOLD
NON-STOCK FINISHES AND DESIGNS AVAILABLE WITH FACTORY LEAD TIME
AND SUBJECT TO MINIMUM ORDER.

FUNCTIONS	ANSI	ITEM #	FINISHES		PCS / MC
Entrance	F109	XPRL00	US26D	US10BE	10
		● ICXPRL00	US26D	US10BE	
Storeroom	F86	XPRL05	US26D	US10BE	
		● ICXPRL05	US26D	US10BE	
Classroom	F84	XPRL03	US26D	US10BE	
		● ICXPRL03	US26D	US10BE	
Privacy (See below for split finishes)	F76	XPRL20	US26D	US10BE	
Hospital Privacy	---	HXPRL20		US10BE	
Passage	F75	XPRL30	US26D	US10BE	
Exit	F89	XPRL50			
Single Dummy	----	XPRL40			
					20

●(IC) Indicates function available with **Best, Falcon and Arrow** Interchangeable Core.

◆ SPLIT FINISHES FOR PRIVACY FUNCTION

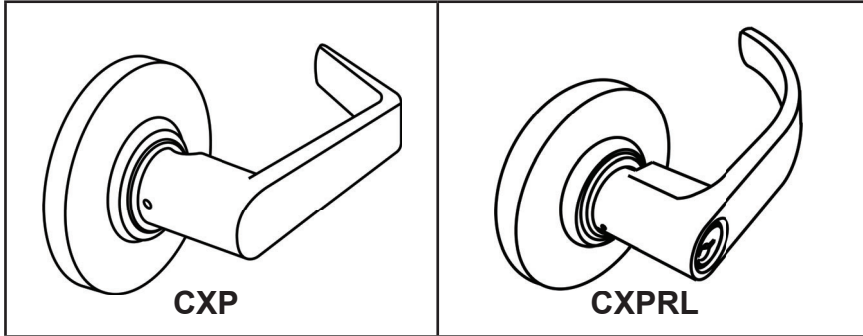
ILLUSTRATION	ITEM #	FUNCTIONS	ANSI	FINISHES	PCS / MC
	XPRL20	Privacy	F76	US3 / 26D (Inside)	10
				US4 / 26 (Inside)	
				US10B / 26 (Inside)	
				US4 / 26D (Inside)	

EXPLORER CXP, CXPRL CLUTCH

HEAVY DUTY CYLINDRICAL LEVERSETS WITH CLUTCH

ANSI - A156.2, Series 4000, Grade 2

Ⓢ Optional Interchangeable Core for **Best, Falcon and Arrow**



STOCK ITEM FINISH IN BOLD
NON-STOCK FINISHES AND DESIGNS AVAILABLE WITH FACTORY LEAD TIME
AND SUBJECT TO MINIMUM ORDER.

FUNCTIONS	ANSI	ITEM #	FINISHES		PCS / MC
			US26D	US10B	
Entrance	F109	CXP00	US26D	US10B	US3, 10, 26, 4, 15, 5
		Ⓢ ICCXP00	US26D	US10B	
Storeroom	F86	CXP05	US26D	US10B	
		Ⓢ ICCXP05	US26D	US10B	
Classroom	F84	CXP03	US26D	US10B	
		Ⓢ ICCXP03	US26D	US10B	
Privacy	F76	CXP20	US26D	US10B	
Hospital Privacy	---	HCXP20		US10B	

FUNCTIONS	ANSI	ITEM #	US26D	US10B	US3	US10, 26, 4, 15, 5	PCS / MC
		Ⓢ ICCXPRL00	US26D	US10B			
Storeroom	F86	CXPRL05	US26D	US10B			
		Ⓢ ICCXPRL05	US26D	US10B			
Classroom	F84	CXPRL03	US26D	US10B			
		Ⓢ ICCXPRL03	US26D	US10B			
Privacy	F76	CXPRL20	US26D	US10B			
Hospital Privacy	---	HCXPRL20	US26D	US10B			

Ⓢ (IC) Indicates function available with **Best, Falcon and Arrow** Interchangeable Core.