

EXPLORER

XP SERIES (NON CLUTCH MECHANISM)
CXP SERIES (CLUTCH MECHANISM)
OPTIONAL THRU BOLT INSTALLATION

Optional tactile warning meets
handicap and fire code

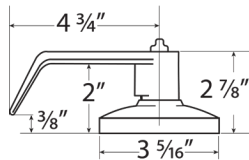
Optional removable Thru-Bolt

Push in and turn button
function

Coil compression springs
provide great strength and
durability

Plastic filler for use
on 1 1/8" door prep

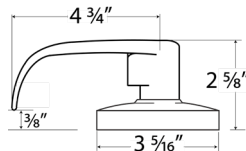
UL LISTED 3 HOUR RATED
1/2" Throw deadlatch completely
reversible for flat & beveled doors



XP DESIGN



XPRL DESIGN



Individual spring on each side to prevent
lever sag, maintain reliability and reduce
maintenance

Cylindrical Body

Full length lever handle
with 3/8" return

Concealed screw
mounting

Solid brass 6 pin "C"
keyway cylinder.

Available with Small Format
Interchangeable Core



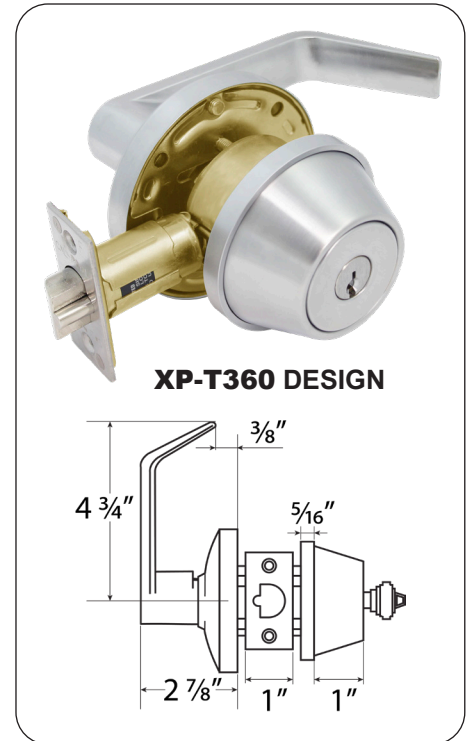
**LIFETIME
WARRANTY**



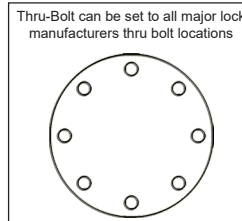
MEETS
The Buy American Act



Meets ADA requirements
Specially designed for
Barrier Free Application
Conforms with BHMA / ANSI A156.2
Series 4000, Grade 2,
Exceeds 400,000 Cycles



XP-T360 DESIGN



SPECIFICATIONS

APPLICATIONS

For offices, schools, hospitals, apartments, hotel / motel, residential, commercial and public buildings.

DOOR RANGES

1 3/8" to 2" thickness doors; 1 3/4" Standard for **XP-T360**
(Optional Adapter Ring for 1 3/8" thick doors for **XP-T360**)

BACKSET

2 3/4" Standard, 2 3/8", 3 3/4" and 5" optional.;

LATCH BOLT

1/2" Throw solid brass, reversible for RH or LH applications. UL Listed.

LATCH FACEPLATE

2 1/4" x 1", square corner packed with 1/8" filler for 1 1/8" width.

ANSI STANDARDS

Meets or exceeds requirements of BHMA / ANSI A156.2
Series 4000, Grade 2 (FF-H 106C), 400,000 cycles.

STRIKES

ASA strike standard, "T" and full lip strike available on request.

EXPOSED TRIM

Wrought Brass, Bronze or Stainless Steel. Levers are Zinc Casting, plated to match trim finish.

KEYING

6-pin "C" keyway cylinder, 2 keys per lock. Keying as per individual job requirement.

CYLINDER & KEYWAYS

6 pin solid brass "C" keyway standard. Schlage E, Schlage C-K, Russwin D1-2-3-4, Corbin 59 / 60, Corbin-Russwin L4, Sargent LA-LB-LC, Falcon / Weiser E, Arrow A, Yale 8, Yale GA and Kwikset. Can also accept Medeco, Assa, Kaba and Cal-Royal (HSK) High Security Cylinders.

INTERCHANGEABLE CORE (IC)

Interchangeable Core locks will accept compatible 6 or 7 pin cores with BEST, FALCON and ARROW. Prefix "IC" before part number. Available combined or uncombined. Temporary construction cores available. Factory keying with control key and master key available.

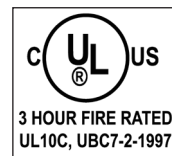
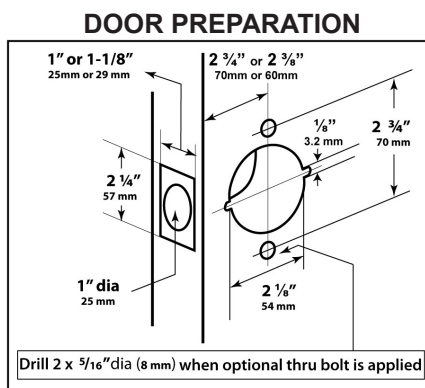
TACTILE & LEAD LINING available upon request.

EXPLORER XP SERIES FINISHES AND FUNCTIONS

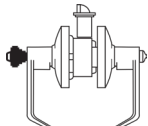


FINISHES AVAILABLE		
BHMA SYMBOL	US CODE	DESCRIPTION
605	US3	Polished Brass
606	US4	Satin Brass
609	US5	Antique Brass
612	US10	Satin Bronze
613E	US10BE	Dark Satin Bronze, Equivalent
619	US15	Satin Nickel
625	US26	Polished Chrome
626	US26D	Satin Chrome

Refer to price list for stock finishes and functions

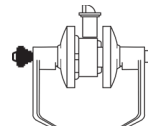


XP00
ICXP00
CXP00
ANSI: F109



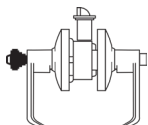
ENTRANCE / OFFICE LOCK
 Turn / Push button locking. Pushing and turning button locks outside lever requiring use of key until button is manually unlocked. Pushing button locks outside lever until unlocked with key or inside lever is turned.

XP101
ICXP101
CXP101
ANSI: F90



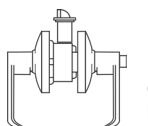
DORMITORY / ASSISTED LIVING
 Deadlocking latch bolt operated by lever from either side except when outside lever is locked by key or by push button on inside lever. Key in outside lever locks or unlocks outside lever. Outside key releases push button when locked from inside. Rotating inside lever or closing the door releases push button.

XP01
ICXP01
CXP01
ANSI: F82



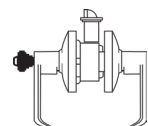
ENTRANCE LOCK PUSH BUTTON
 Pushing button in inside lever locks outside lever. Turning inside lever or operating key in outside lever releases button automatically. Closing door does not release button. Button cannot be fixed in lock position. Inside lever always free. Latch bolt automatically deadlocks when door is closed.

XP10
CXP10
ANSI: F77



PATIO
 Deadlocking latch bolt operated by lever from either side. Outside lever is locked by push button inside and unlocked by rotating inside lever or closing door.

XP03
ICXP03
CXP03
ANSI: F84



CLASSROOM LOCK
 Dead locking latch bolt operated by lever from either side except when outside lever is locked from outside by key. When outside lever is locked, latch bolt is operated by turning inside lever.

XP20
CXP20
ANSI: F76



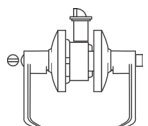
PRIVACY LOCK
 Latch bolt operated by lever from either side. Outside lever is locked by push button inside and unlocked by emergency release outside. Turning inside lever or closing door releases push button.

XP05
ICXP05
CXP05
ANSI: F86



STOREROOM LOCK
 Dead locking latch bolt operated by key in outside lever or by rotating inside lever. Outside lever is always fixed.

HXP20
HCXP20



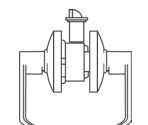
HOSPITAL PRIVACY LOCK
 Latch bolt operated by lever from either side. Outside lever is locked by push button inside and unlocked by turning turn button. Turning inside lever or closing door releases push button.

XP-T360-05
ANSI: F86



STOREROOM LOCK AND SINGLE CYLINDER DEADBOLT COMBINATION
 Dead locking latch bolt operated by key in outside deadbolt or by rotating inside lever. Outside deadbolt is always fixed.

XP30
ANSI: F75



PASSAGE SET
 Latch bolt operated by lever from either side at all times.

XP80
ICXP80
CXP80



EXIT LOCK
CONNECTING ROOM WITH KEY
 Deadlocking latch bolt operated with key from inside only. Blank plate outside.

XP40



DUMMY LEVER
 Single dummy trim for one side of door. Pull only.

XP50
ANSI: F89



EXIT LOCK
 Blank plate outside. Inside lever always unlocked.

HOW TO ORDER:
 For "XPRL", replace design name.
 Example: XP00 entrance in "XPRL" is XPRL00.

• "IC" Indicates function available with BEST, FALCON & ARROW Interchangeable Core.

• "CXP" Indicates function available with Clutch.
OTHER FUNCTIONS NOT LISTED AVAILABLE UPON REQUEST.