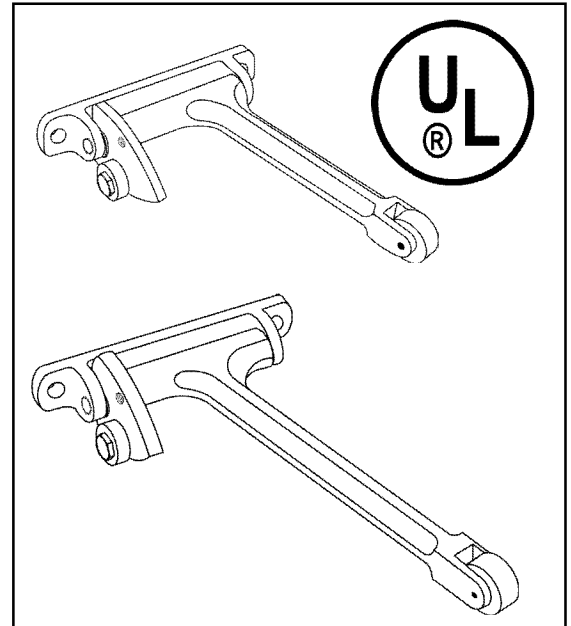


# FRGCO65 and FRGCO85

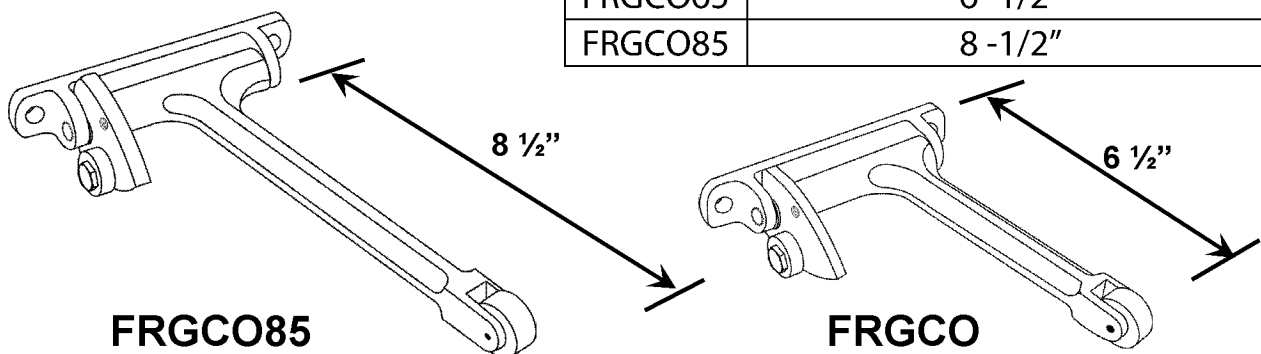
## UL-Gravity Door Coordinator

These reversible, automatic coordinating devices were designed for use on doors swinging in pairs with or without overlapping astragal, non-handed. Holds active door preventing it from closing before the inactive door. Helps protect the astragal. Gravity action arm adjustable on top.



- ⊙ Specially designed for use on labeled fire doors in combination with Cal-Royal's (AUTOFLM1 or AUTOFLW22) automatic (top) and self-latching (bottom) bolt combination
- ⊙ Six bolts required for door bracket for installations on wood covered composite 1-3/4" thick doors
- ⊙ Unique design including a specially contoured cam with a guiding nylon roller that decreases friction thereby raising efficiency of the hardware system
- ⊙ Conforms with ANSI/BHMA A156.3, Type 21
- ⊙ Surface mounted
- ⊙ Architectural finishes available

ITEM#	Projection of Hold-Open arm
FRGCO65	6 -1/2"
FRGCO85	8 -1/2"



### Cal-Royal Products, Inc.

6605 Flotilla St., City of Commerce, CA 90040 U.S.A.

Phone: (323) 888-6601 • (800) 876-9258 • Fax: (323) 888-6699 • (800) 222-3316

Email: sales@cal-royal.com • Website: www.cal-royal.com



The illustration and technical description in this Specification Sheet is current as of the date in the version box above. Cal-Royal Product reserves the right to, and may frequently make changes and/or improvements in designs and dimensions.