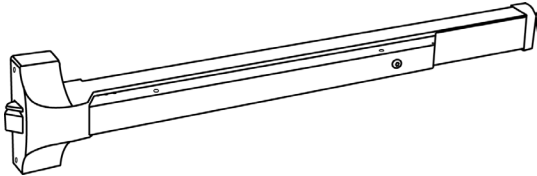


5000 (Non-Fire Rated)
F5000 (Fire Rated)



Push Bar Exit Device / ANSI A156.3 Grade 1, 3-Hour Rated, UL-Listed

ILLUSTRATION	ITEM #	DESCRIPTION	FINISHES
 NON-HANDED on Rim Exit Devices	PANIC EXIT HARDWARE		
	5000EO36	Rim exit, 36" wide	ALUM, US32D
	5500EO48	Rim exit, 48" wide	
	FIRE EXIT HARDWARE RATED 3 HOURS		
	F5000EO36	Rim exit, 36" wide , Includes thru-bolts	ALUM, US32D
	F5500EO48	Rim exit, 48" wide, Includes thru-bolts	

ADDITIONAL ITEMS	
5000EO36 AL / 8000L 26D	5000EO36 Rim Exit Device, 36" (ALUM), & 8000L Lever Key-Lock (US26D) packed together
5000EO36 AL / 8000PAS 26D	5000EO36 Rim Exit Device, 36" (ALUM), & 8000PAS Passage Leverset (US26D) packed together

❖ ❖ ❖ **MUST ORDER TRIM SEPARATELY** ❖ ❖ ❖

PACKAGING INCLUDES

- 4 pcs per master carton
- Strike filler, lock front filler.
Packed with Rim device at no extra charge.
- (6 pcs) Thru-Bolts for Fire-Rated Devices only.

PAINTED FINISHES

- Aluminum (Alum)
- US32D (Stainless Steel)

QUANTITY DISCOUNT
20 UNITS MIXED - LESS 5%
40 UNITS MIXED - LESS 10%

ANTI-MICROBIAL

- Available on US32D finish Only
Use part # **ANTB-EXIT**.