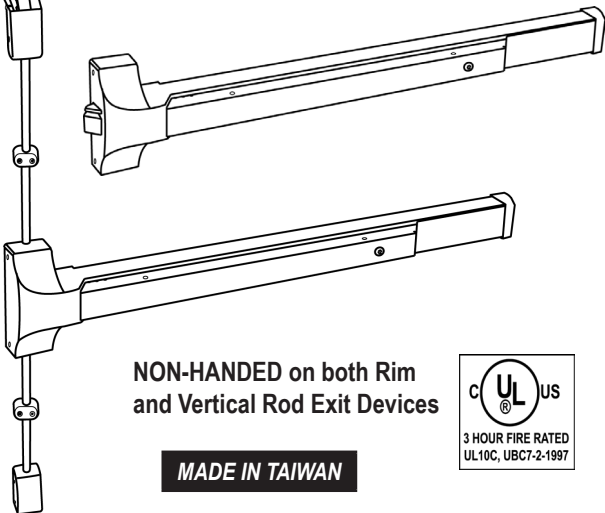



**T5000 & T5000V (Non-Fire Rated)**  
**TF5000 & TF5000V (Fire Rated)**  
**Made in Taiwan**

**MEETS**  
*The Buy American Act*

Push Bar Exit Device / ANSI A156.3 Grade 1, 3-Hour Rated, UL-Listed

ILLUSTRATION	ITEM #	DESCRIPTION	FINISHES	
 <p><b>NON-HANDED</b> on both Rim and Vertical Rod Exit Devices</p> <p><b>MADE IN TAIWAN</b></p> 	<b>PANIC EXIT HARDWARE</b>			
	T5000EO36	Rim exit, 36" wide	<b>ALUM, US32D</b>	
	T5500EO48	Rim exit, 48" wide		
	T5000V3684	Surface vert rod 36" X 84"		
	<b>FIRE EXIT HARDWARE RATED 3 HOURS</b>			<b>ALUM, US32D</b>
	TF5000EO36	Rim exit, 36" wide, Includes thru-bolts		
	TF5500EO48	Rim exit, 48" wide, Includes thru-bolts		
	TF5000V3684	Surface vert rod 36" X 84", Includes thru-bolts		

**❖ ❖ ❖ MUST ORDER TRIM SEPARATELY ❖ ❖ ❖**

**PACKAGING INCLUDES**

- 4 pcs per master carton
- Strike filler, lock front filler.  
Packed with Rim device at no extra charge.
- (6 pcs) Thru-Bolts for Fire-Rated Devices only.

**PAINTED FINISHES**

- Aluminum (Alum)
- US32D (Stainless Steel)

**QUANTITY DISCOUNT**  
**20 UNITS MIXED - LESS 5%**  
**40 UNITS MIXED - LESS 10%**

**ANTI-MICROBIAL**

- Available on US32D finish Only.
- Use part # **ANTB-EXIT**.