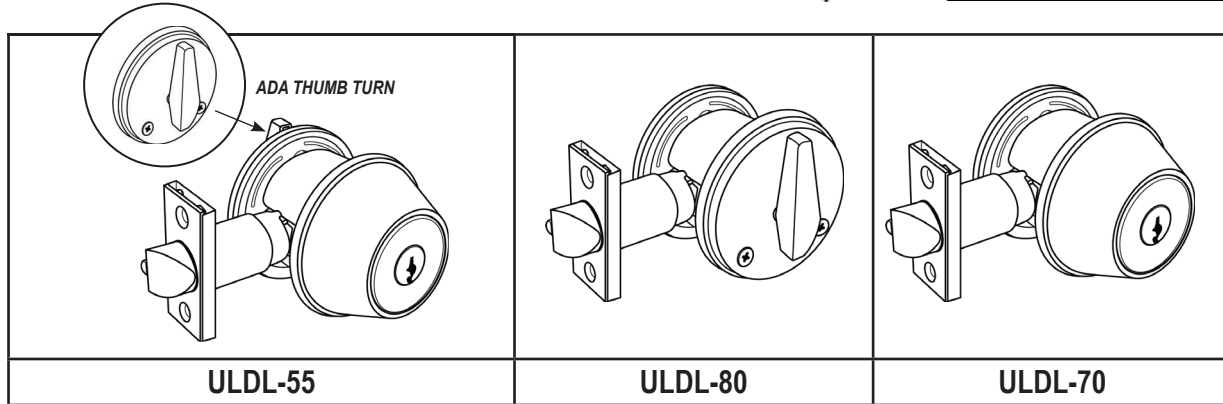


**GUARDIAN Series**  
**STANDARD DUTY**  
**CYLINDRICAL DEAD LATCHES**  
**ANSI STANDARD A156.36, GRADE 2**



**STOCK ITEM FINISH IN BOLD.** NON-STOCK FINISHES AND DESIGNS  
AVAILABLE WITH FACTORY LEAD TIME AND SUBJECT TO MINIMUM ORDER

FUNCTION	ANSI	ITEM #	FINISH	PCS / MC
UL Listed, Single Cylinder with Turn Piece	E01102	<b>ULDL-55</b>	<b>US26D, 10BE, 1, 10, 26, 15, 3, 4</b>	20
UL Listed, Single Cylinder with Blank Plate	E0132	ULDL-70	US26D, 10BE, 1, 10, 26, 15, 3, 4	
UL Listed, Turn Piece with Blank Plate	E01122	<b>ULDL-80</b>	<b>US26D, 10BE, 1, 10, 26, 15, 3, 4</b>	

► **PACKAGING INCLUDES**

- Standard "C" 6-pin Cylinder
- 2 3/4" Backset, 2 1/4" x 1" faceplate with plastic filler
- T-Strike

► **KEYWAYS**

6-Pin Solid Brass "C" Keyway Standard.  
Weiser "E", Arrow "A", and Kwikset also available.

► **ADDITIONAL PARTS FOR GUARDIAN SERIES**

ILLUSTRATION	ITEM #	DESCRIPTION	FINISH
	ULDB-238	UL Listed, 2 3/8" Dead Latch, 2 1/4" x 1" Faceplate with plastic filler	US26D, 10BE, 1
	SL5	UL Listed, 5" Extension Link	---
	SLD334	3 3/4" Dead latch, 2 1/4" x 1 1/8" Faceplate	US3, 26D, 10BE
	ASAST	ASA Strike	US3, 26D, 26, 15 US1, 10, 10BE, 4
	FLS	Full Lip Strike	US3, 26D, 10BE, 10, 26, 15, 4
	ADP-138	Optional Adapter Ring for 1 3/8" doors	US3, 26D, 10BE, 1, 10, 26, 15, 4