

# GENESYS SERIES FINISHES AND FUNCTIONS



| FINISHES AVAILABLE |         |                   |
|--------------------|---------|-------------------|
| BHMA SYMBOL        | US CODE | DESCRIPTION       |
| 605                | US3     | Polished Brass    |
| 606                | US4     | Satin Brass       |
| 609                | US5     | Antique Brass     |
| 612                | US10    | Satin Bronze      |
| 613                | US10B   | Oil Rubbed Bronze |
| 619                | US15    | Satin Nickel      |
| 625                | US26    | Polished Chrome   |
| 626                | US26D   | Satin Chrome      |

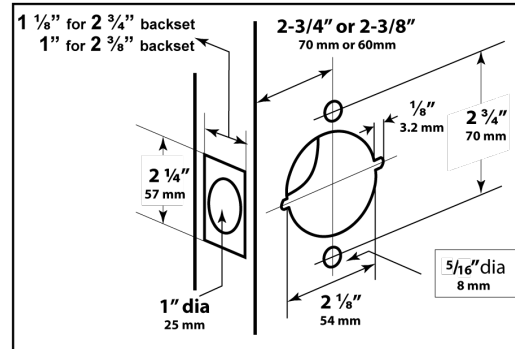
Refer to price list for stock finishes and functions

## HOW TO ORDER

- ICGYS** - Schlage Large Format IC
- RUSICGN** - Russwin / Corbin Large Format IC
- SARICGN** - Sargent Large Format IC
- YALICGN** - Yale Large Format IC



## DOOR PREPARATION



**ICGYS00**  
**RUSICGN00**  
**SARICGN00**  
**YALICGN00**  
 ANSI: F109  
 FED#161A

**ENTRANCE / OFFICE LOCK**  
 Turn / Push button locking. Pushing and turning button locks outside lever requiring use of key until button is manually unlocked. Pushing button locks outside lever until unlocked with key or inside lever is turned.

**ICGYS04**  
**RUSICGN04**  
**SARICGN04**  
**YALICGN04**  
 ANSI: F80  
 FED#161S

**COMMUNICATING LOCK**  
 Deadlocking latch bolt operated by lever from either side. Turning key in either lever locks or unlocks its own lever independently.

**ICGYS01**  
**RUSICGN01**  
**SARICGN01**  
**YALICGN01**  
 ANSI: F82  
 FED#161A

**ENTRANCE LOCK PUSH BUTTON**  
 Pushing button in inside lever locks outside lever. Turning inside lever or operating key in outside lever releases button automatically. Closing door does not release button. Button cannot be fixed in lock position. Inside lever always free. Latch bolt automatically deadlocks when door is closed.

**ICGYS05**  
**RUSICGN05**  
**SARICGN05**  
**YALICGN05**  
 ANSI: F86  
 FED#161D

**STOREROOM LOCK**  
 Deadlocking latch bolt operated by key in outside lever or by rotating inside lever. Outside lever is always fixed.

**ICGYS101**  
**RUSICGN101**  
**SARICGN101**  
**YALICGN101**  
 ANSI: F90  
 FED#161T

**DORMITORY NON-CLUTCH**  
 Deadlocking latch bolt operated by lever from either side except when outside lever is locked by key or by push button on inside lever. Key in outside lever locks or unlocks outside lever. Outside key releases push button when locked from inside. Rotating inside lever or closing the door releases push button. (Non Clutch)

**ICGYS06**  
**RUSICGN06**  
**SARICGN06**  
**YALICGN06**  
 ANSI: F88  
 FED#161C

**VESTIBULE**  
 Deadlocking latch bolt operated by lever from either side except when outside lever is locked by key from inside. Latch bolt may be retracted by key in outside lever or by rotating inside lever.

**ICGYS02**  
**RUSICGN02**  
**SARICGN02**  
**YALICGN02**  
 ANSI: F91  
 FED#161G

**STORE LOCK NON-CLUTCH**  
 Deadlocking latch bolt operated by lever from either side, except when both levers are locked by key in lever from either side. (Non Clutch)

**ICGYS07**  
**RUSICGN07**  
**SARICGN07**  
**YALICGN07**  
 ANSI: F110

**CLASSROOM / INTRUDER**  
 Latch bolt is operated by rotating the inside lever, or rotating the outside lever only when not locked from the inside or outside key.

**ICGYS03**  
**RUSICGN03**  
**SARICGN03**  
**YALICGN03**  
 ANSI: F84  
 FED#161R

**CLASSROOM LOCK**  
 Deadlocking latch bolt operated by lever from either side except when outside lever is locked from outside by key. When outside lever is locked, latch bolt is operated by turning inside lever.

**ICGYS09**  
**RUSICGN09**  
**SARICGN09**  
**YALICGN09**  
 ANSI: F87  
 FED#161W

**INSTITUTION**  
 Deadlocking latch bolt operated by key in lever from either side. Both lever always fixed.

Indicates function available with SCHLAGE, CORBIN / RUSSWIN, SARGENT and YALE Interchangeable Core.

OTHER FUNCTIONS NOT LISTED AVAILABLE UPON REQUEST  
 SEE PAGE 100 FOR SPECIFICATION ON CYLINDERS