

FLOOR DOOR STOP AND MANUAL HOLDER HDWDS99 AND HDFDSH66

Features

- Heavy duty commercial grade wall door stop for high traffic conditions.
- Solid cast brass or bronze heavy duty construction
- Unit functions as stop but serves as a Hold-Open device when the hook is manually engaged in strike
- Unit requires manual disengagement to release Hold-Open
- Includes mounting hardware for all wall construction applications
- Rubber tip does not scar nor mark surface of door

Applications

- Indoor
- Outdoor

Materials

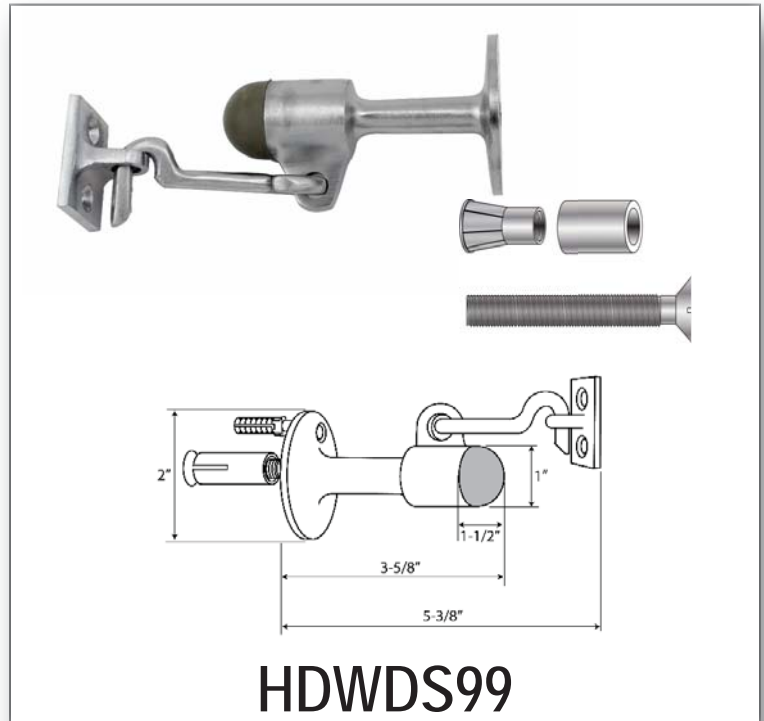
- Solid Cast Brass
- Bronze

Finishes

- US3 - Bright Brass
- US10B - Antique Bronze, Oiled
- US26D - Satin Chrome

Code Compliance

- Conforms to ANSI/BHMA 156.16, BHMA:L11351 for brass
- FED SPEC:1321E



BHC-7019-03/23-1of1

CAL-ROYAL PRODUCTS, INC.

6605 Flotilla St., City of Commerce, CA 90040 U.S.A.

Phone: (323) 888-6601 • (800) 876-9258 • Fax: (323) 888-6699 • (800) 222-3316

Email: sales@cal-royal.com • Website: www.cal-royal.com

The illustration and technical description in this cut sheet is current as of the date in the version date on the right. Cal-Royal Product reserves the right to, and may, on occasions, make changes and/or improvements in designs and dimensions without prior notice.

VERSION
2023.1.0

© Cal-Royal Products, Inc. 2023