

HEAVY DUTY ROLLER CATCH

ARL-1338

Features

- Size: $\frac{1}{8}$ " x 1" x $3\frac{3}{8}$ "
- Depth: $1\frac{13}{16}$ "
- Adjustable Nylon Roller
- Packed with Square Heavy Duty Cast $2\frac{1}{4}$ " Full-Lip Strike
- Optional T-Strike (ARLSTRK62)

Applications

- Multi-Family Homes
- Condominiums
- Hotels / Motels
- Apartments
- Residential

Material

- Solid Brass

Finishes

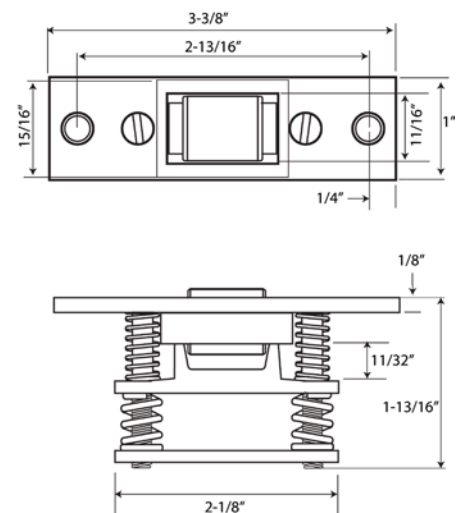
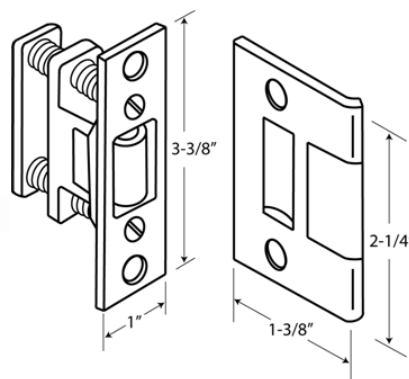
- US3 - Polished Brass
- US5 - Satin Brass Oxidized
- US10B - Oil Rubbed Bronze
- US15 - Satin Nickel
- US15A - Satin Nickel Oxidized
- US19 - Flat Black Coated
- US26 - Polished Chrome
- US26D - Satin Chrome

Code Compliance

- Meets ANSI A156.16, E19091 standards



ARL-1338



CAL ROYAL PRODUCTS, INC.

6605 Flotilla St., City of Commerce, CA 90040 U.S.A.

Phone: (323) 888-6601 • (800) 876-9258 • Fax: (323) 888-6699 • (800) 222-3316

Email: sales@cal-royal.com • Website: www.cal-royal.com

The illustration and technical description in this cut sheet is current as of the date in the version date on the right. Cal-Royal Product reserves the right to, and may, on occasions, make changes and/or improvements in designs and dimensions without prior notice.

2018 01
YEAR PRINTED / VERSION NO.

© Cal-Royal Products, Inc. 2018