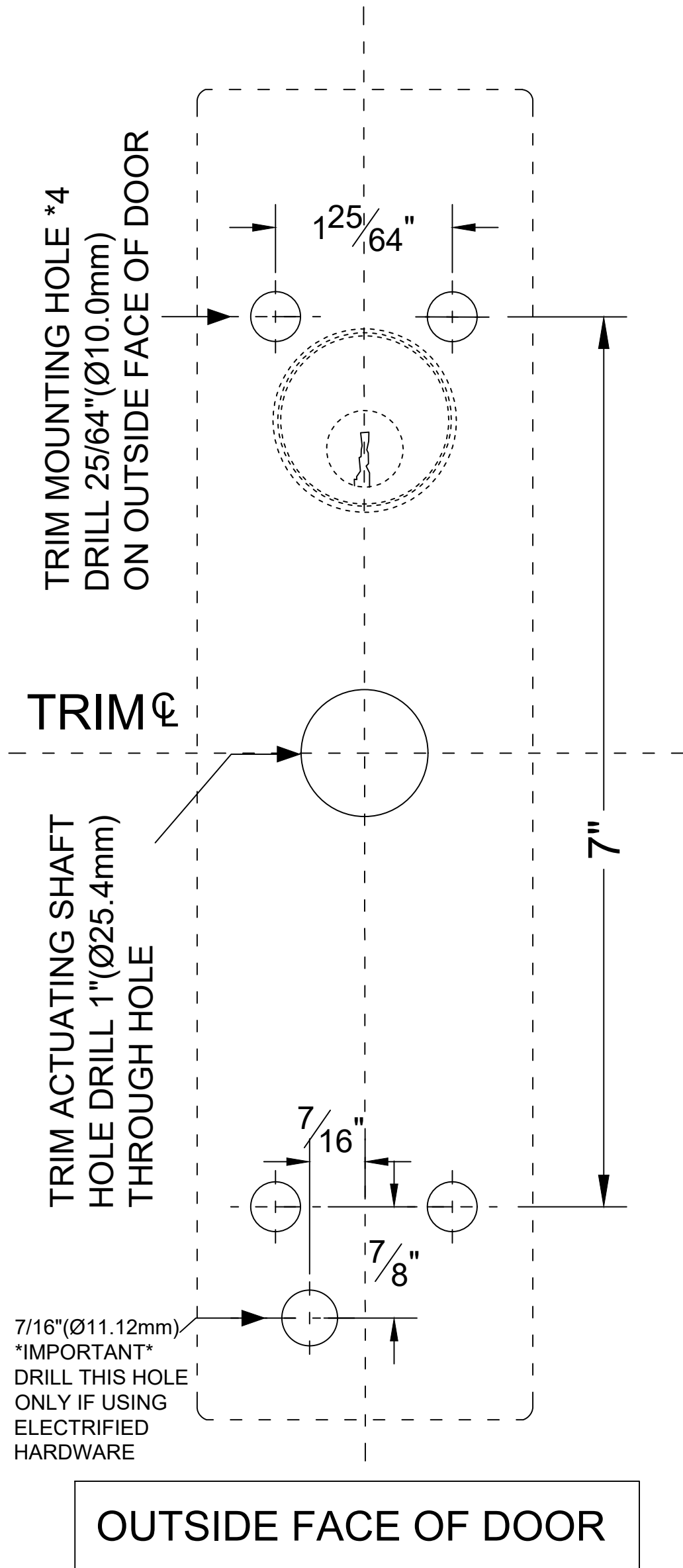




TEMPLATE

FOR ELECTRIFIED AND NON-ELECTRIFIED
HEAVY DUTY ESC LEVER TRIM

Use for 7700 and 9800 Series Exit Hardware
Function HDESC00, HDESC30, HDESC40 and HDESC05



1"

RATIO IS 1:1 IF LINE IS EXACTLY 1"
SUGGESTED PRINT PAPER: 11"X 17"
PRINT TO SIZE