

# ITALIA SERIES

STAINLESS STEEL LEVERSETS, KNOBSETS, ESCUTCHEON, DEADBOLTS

ANSI STANDARD A156.2, GRADE 3

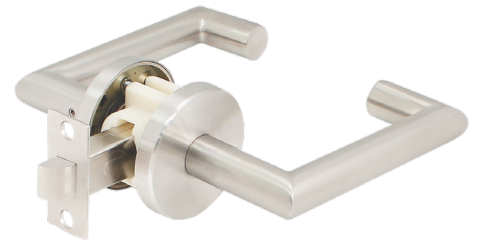
LEVERS / KNOBS COMPATIBLE WITH NM SERIES GRADE 1 MORTISE LOCKS



ESCUTCHEON



MORTISE LOCK



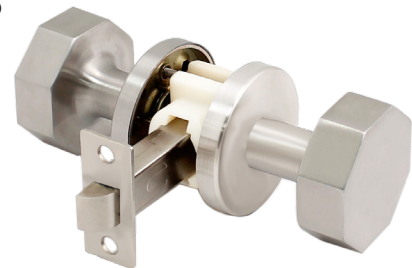
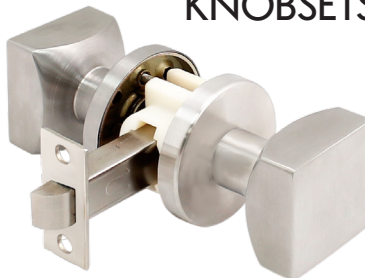
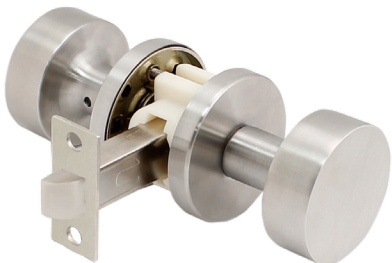
LEVERSETS



DEADBOLTS



KNOBSETS



  
**ITALIA SERIES**  


DESIGN YOUR OWN.....	93
LEVER DESIGN .....	94
LEVER / KNOB DESIGN .....	95
ROSE DESIGN .....	95
HOW TO ORDER .....	95
TUBULAR LATCH SET .....	96
TUBULAR ENTRY SET .....	96
ROSE AND ESCUTCHEON DESIGN .....	97
DOOR PREPARATION .....	97
NM SERIES MORTISE LOCK .....	98
LATCHES .....	99
STRIKES .....	99
DEADBOLTS .....	100
DOOR PREPARATION DEADBOLT .....	100
EXPLODED DIAGRAM - ROSE WITH TUBULAR LATCH.....	101
EXPLODED DIAGRAM - ROSE WITH NM SERIES MORTISE LOCK.....	101
EXPLODED DIAGRAM - ESCUTCHEON WITH TUBULAR LATCH.....	102
EXPLODED DIAGRAM - SINGLE CYLINDER WITH DEADBOLT.....	103
EXPLODED DIAGRAM - DOUBLE CYLINDER WITH DEADBOLT.....	103
CARE AND MAINTENANCE .....	104
PRODUCT WARRANTY.....	104

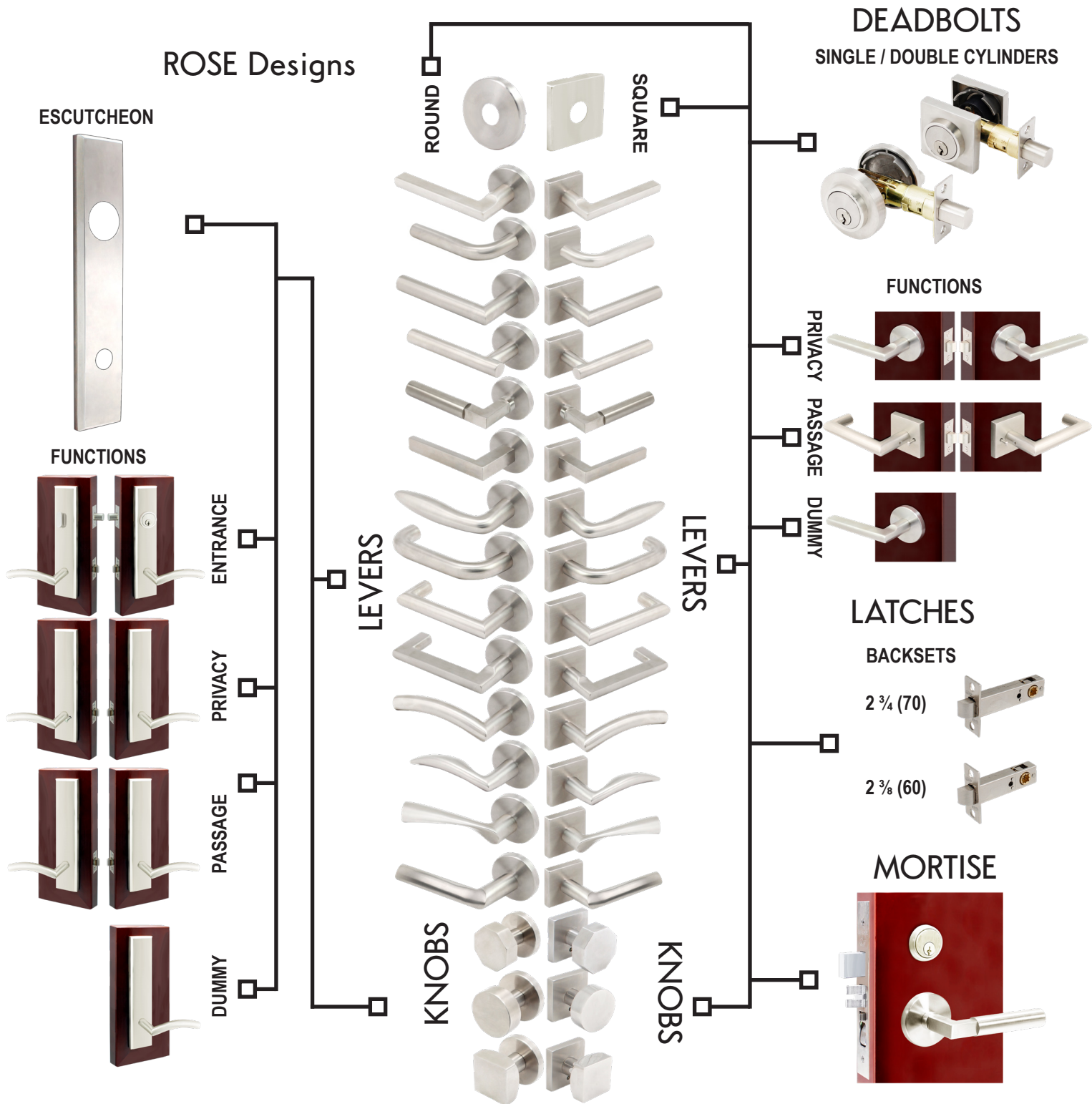


# ITALIA SERIES

## DESIGN YOUR OWN

### DESIGN YOUR OWN

1. CHOOSE A ROSE TYPE
2. SELECT LEVER OR KNOB
3. SPECIFY A FUNCTION
4. SPECIFY LATCH



# LEVER DESIGNS

HANDED   
 H - HOLLOW   
 S - SOLID

**LUCCA - LUC**

**PERUVIA - PER**

**RAVENNA - RAV**

**SALERNO - SAL**

**FERRARA - FER**

**SYRACUSE - SYR**

**PISA - PIS**

**VENICE - VEN**

**POMPEI - POM**

**TURIN - TUR**

**BRESCIA - BRE**

**VICENZA - VIC**

# LEVER / KNOB DESIGNS



HANDED



H - HOLLOW



S - SOLID

**SIENA - SIE**

**LIVORNO - LIV**

**PADERNO - PAD**

**PALERMO - PAL**

**PAVIA - PAV**

**GIRO - G**

**QUADRO - Q**

**SCUDO - S**

## HOW TO ORDER

**NOTE:**  
Standard Backset is 2 3/8"

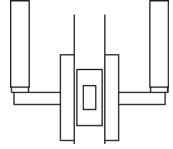
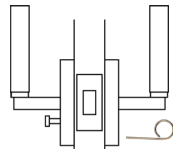
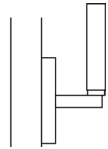
Entrance Function is only available for SCUDO rose design (escutcheon).

Privacy Function for SCUDO rose design specify handing.

HOW TO ORDER					
DDD-FFB-H[R] US32[X]					
DESIGN (ddd)	FUNCTION (FF)	BACKSET (b)	HANDING (H)	ROSE (R)	FINISH (US32X)
See Lever / Knob Designs	00 - Entrance 20 - Privacy 30 - Passage 40 - Single Dummy	8 - 2 3/8" 4 - 2 3/4"	L - Left Hand R - Right Hand	G - Giro Q - Quadro S - Scudo	US32D - Satin SS US32 - Polished SS US1 - Black

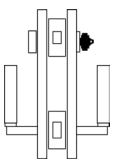
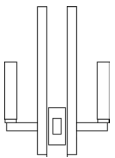
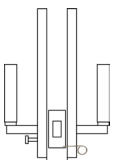
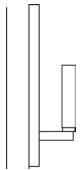
For Example: To order Privacy function Left Handed, SIENA lever design with QUADRO style rose and Grade 2 3/8" backset in US32D finish:  
**ORDER PART# : SIE-208-LQ US32D**

## TUBULAR LATCH SET

APPLICATION	FUNCTION: NON-KEYED	
For residential and commercial interior doors with privacy, passage and dummy function		<b>Passage</b> Inside and Outside levers always unlocked
<b>MATERIAL</b> Stainless Steel Levers, Knobs and Rose		<b>Privacy</b> Privacy pin from inside, locks the lever. Turning inside lever releases pin or by emergency release pin
<b>SPECIFICATIONS</b>		<b>Dummy</b> Left or right lever are always inactive
<ul style="list-style-type: none"> <li>Door thickness: 1 <math>\frac{3}{8}</math>" (35) to 1 <math>\frac{3}{4}</math>" (44)</li> <li>Latch Backset: 2 <math>\frac{3}{8}</math>" (60) standard, 2 <math>\frac{3}{4}</math>" (70) optional</li> <li>Handing: Most lever designs are non-handed, Handed designs are marked accordingly. Specify handing upon ordering</li> <li>Latch Faceplate: 1" x 2 <math>\frac{1}{4}</math>" (25 x 57) square corner</li> <li>Emergency Pin: Available as standard for privacy function</li> <li>Strike: <b>FLS</b> Full Lip Strike 1" x 2 <math>\frac{1}{4}</math>", <math>\frac{1}{4}</math>" round corner (standard) <b>TS T-Strike</b> 1 <math>\frac{1}{8}</math>" x 2" square corner (standard) <b>ASA478 US32D ANSI</b> Strike 4 <math>\frac{7}{8}</math>" x 1 <math>\frac{1}{4}</math>" (optional)</li> </ul>		



## TUBULAR ENTRY SET

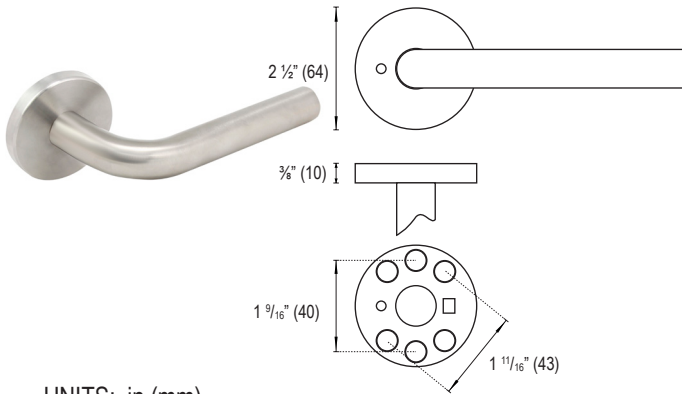
APPLICATION	FUNCTION: KEYED AND NON-KEYED	
For residential and commercial exterior and interior doors with entrance, privacy, passage and dummy function		<b>Entrance</b> Key outside and thumb-turn inside locks or unlocks cylinder. Inside and outside levers always unlocked
<b>MATERIAL</b> Stainless Steel Levers, Knobs and Escutcheons		<b>Passage</b> Inside and Outside levers always unlocked
<b>SPECIFICATIONS</b>		<b>Privacy</b> Privacy pin from inside, locks the lever. Turning inside lever releases pin or by emergency release pin outside. <b>Specify Handing</b> when ordering.
<ul style="list-style-type: none"> <li>Door thickness: 1 <math>\frac{9}{16}</math>" (40) - 2 (50)</li> <li>Latch Backset: 2 <math>\frac{3}{8}</math>" (60) standard 2 <math>\frac{3}{4}</math>" (70) optional</li> <li>Handing: Field reversible for passage and privacy function</li> <li>Latch Faceplate: 1" x 2 <math>\frac{1}{4}</math>" (25 x 57) square corner</li> <li>Strike: <b>FLS</b> Full Lip Strike 1" x 2 <math>\frac{1}{4}</math>", <math>\frac{1}{4}</math>" round corner (standard) <b>TS T-Strike</b> 1 <math>\frac{1}{8}</math>" x 2" square corner (standard) <b>ASA478 US32D ANSI</b> Strike 4 <math>\frac{7}{8}</math>" x 1 <math>\frac{1}{4}</math>" (optional)</li> </ul> <p><b>Entrance Function</b></p> <ul style="list-style-type: none"> <li>Cylinder and Keys: Schlage C Keyway Cylinder 5-pin with 2 keys Keying service available</li> <li>Deadbolt: Latch Bolt: Grade 1, 4-way Drive-In, Brass bolt Adjustable 2 <math>\frac{3}{8}</math>" (60) and 2 <math>\frac{3}{4}</math>" (70) Deadbolt Strike: 1 <math>\frac{1}{8}</math>" x 2 <math>\frac{3}{4}</math>" (29 x 70) square corner standard</li> </ul> <p><b>Privacy Function</b></p> <ul style="list-style-type: none"> <li>Emergency Pin: Available as standard for privacy function</li> </ul>		<b>Dummy</b> Left or right lever are always inactive



# ROSE AND ESCUTCHEON DESIGN

## GIRO ROSE

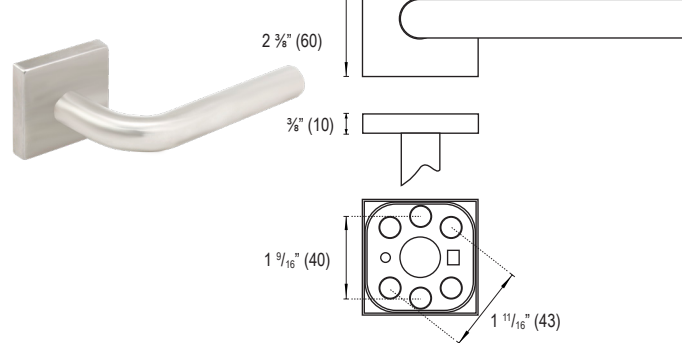
Material: Stainless Steel



UNITS: in (mm)

## QUADRO ROSE

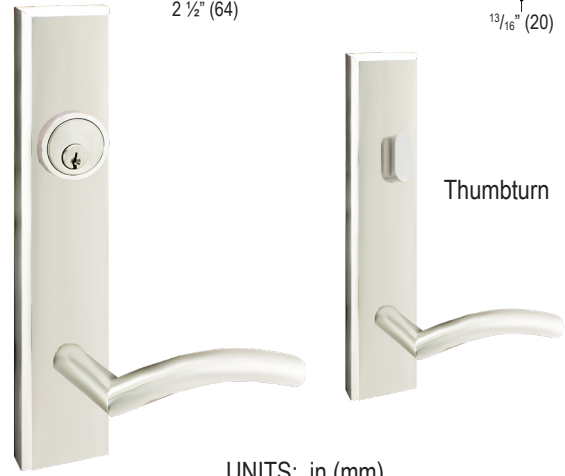
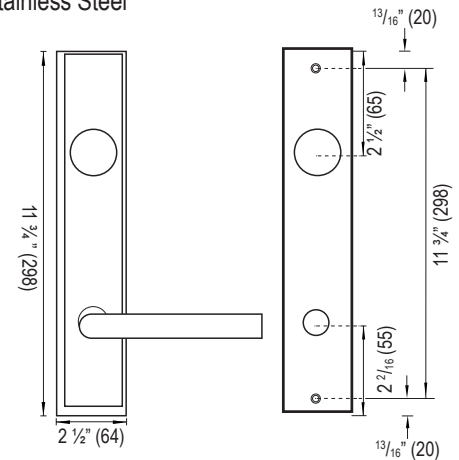
Material: Stainless Steel



UNITS: in (mm)

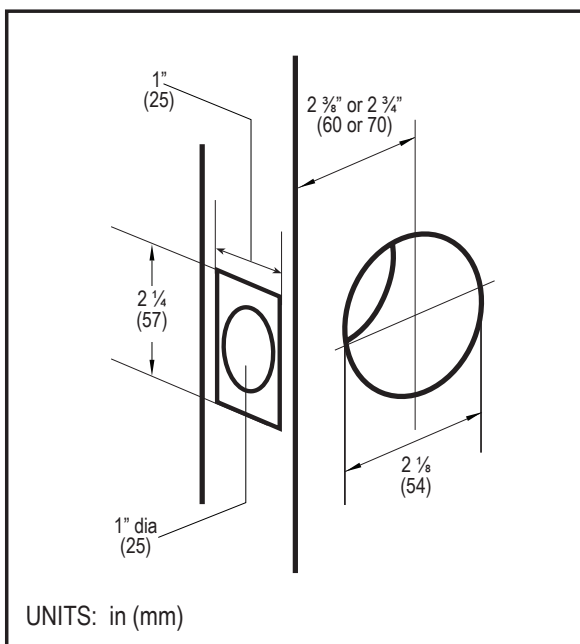
## SCUDO ESCUTCHEON

Material: Stainless Steel



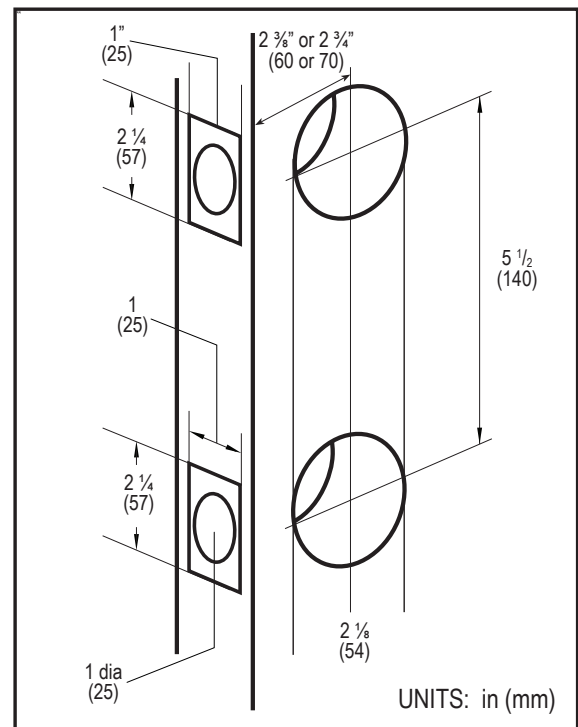
UNITS: in (mm)

# DOOR PREPARATION



UNITS: in (mm)

ROSE



UNITS: in (mm)

ESCUTCHEON

# NM SERIES MORTISE LOCK



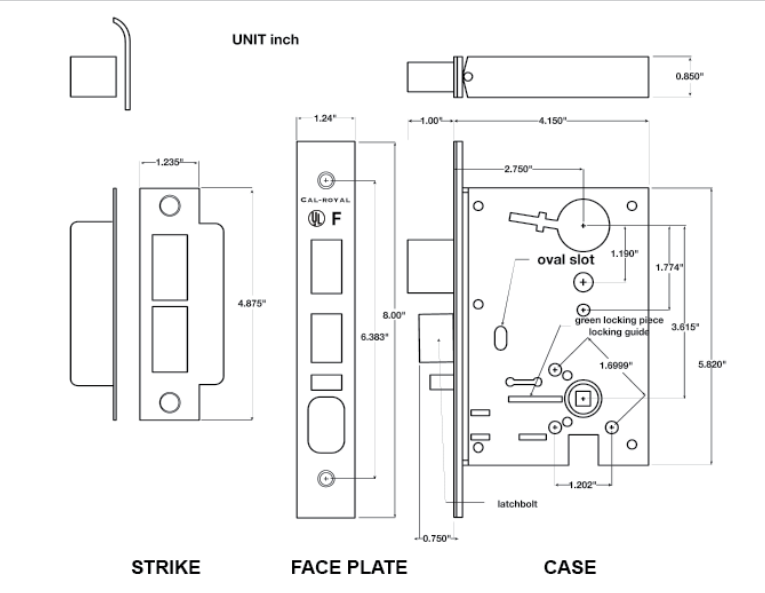
## NM SERIES GRADE 1 MORTISE LOCK

### FEATURES & SPECIFICATIONS

- For Doors..... 1 ¼"
- Backset..... 2 ¾"
- Lockcase..... Heavy gauge zinc chromate steel
- Front..... Heavy gauge steel 8" x 1 ¼" x 3/32"  
Accommodates flat doors and doors beveled 1/8" in 2"
- Armored Front..... Wrought brass attached by machine screws to lock case front
- Deadbolt..... 1" throw, brass chrome-plated with hardened steel rollers
- Guard-bolt..... Extruded brass, chrome plated
- Stop-works..... Rocker type, brass, chrome-plated
- Strikes..... Brass, non-handed curve strike 4 7/8" x 1/4".  
Curved-up strike available upon request
- Handing..... Handed. Easily field-reversible
- Trim..... See Lever / Knob Designs, Giro / Quadro rose pages
- Cylinder..... As specified
- Keyway..... As specified
- Finishes..... As specified
- UL Listing..... UL Listed "A" Label (3 hours), for use on fire doors, single or pair of doors. "F" mark stamped on strike
- ANSI..... Lock body conforms to Federal specification Type 86; and to all dimensional and operational performances of ANSI A156.13, Series 1000 Grade 1, exceeds 1,000,000 cycles

	MODEL	ANSI	AVAILABLE FUNCTIONS
	NM8050	F04	Office / Entrance
	NM8070	F05	Classroom
	NM8080	F07	Storeroom
	NM8453	F20	Entrance
	NM8010	F01	Passage
	NM8440	F19	Privacy with Deadbolt
	NM8456	F13	Corridor / Exit
	NM8465	---	Closet / Storeroom with Deadbolt
	NM8473	F21	Dormitory / Bedroom

Other functions available with factory lead time and subject to minimum order



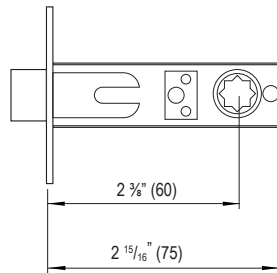
### HOW TO ORDER:

MODEL NUMBER + HANDING + LEVER DESIGN + ROSE DESIGN + FINISH

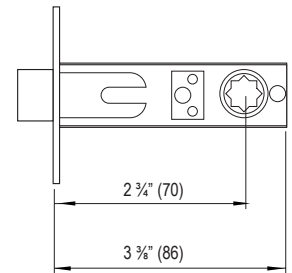
REFER TO PAGES 96-97 FOR ROSE AND LEVER DESIGNS



# LATCHES



**CTPAS238 (Passage)**  
**CTPRI238 (Privacy)**  
**45 Degree Latch Retraction**  
 (Grade 3)  
**Backset:** 2 3/8" (60)  
**Function:** Passage, Privacy  
**Faceplate:** 1" x 2 1/4" (25 x 57)  
**Material:** Stainless Steel



**CTPAS234 (Passage)**  
**CTPRI234 (Privacy)**  
**45 Degree Latch Retraction**  
 (Grade 3)  
**Backset:** 2 3/4" (70)  
**Function:** Passage, Privacy  
**Faceplate:** 1" x 2 1/4" (25 x 57)  
**Material:** Stainless Steel

UNITS: in (mm)



**APS PVC**  
**Anti-Pry Shield (PVC)**  
 (Optional)  
**Backset:** 2 3/8" (60) standard, 2 3/4" (70) optional  
**Door Thickness:** 1 3/8" (35) and 1 3/4" (44)  
**Material:** Heat Resistant PVC



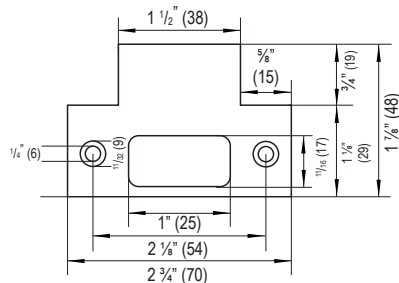
**APS ZINC**  
**Anti-Pry Shield (Zinc Alloy)**  
 (Optional)  
**Backset:** 2 3/8" (60) standard, 2 3/4" (70) optional  
**Door Thickness:** 1 3/8" (35) and 1 3/4" (44)  
**Material:** Zinc Alloy

# STRIKES

All latches come with both T-Strike and Full-lip Strike standard



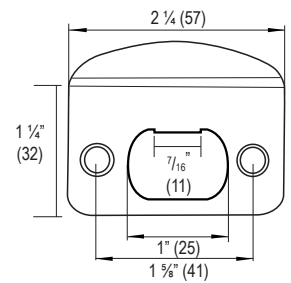
**TS**  
**T-Strike**  
 1 1/8" x 2 3/4", with lip 1 1/2" x 1/2"



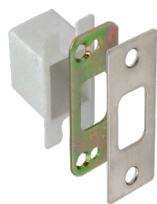
UNITS: in (mm)



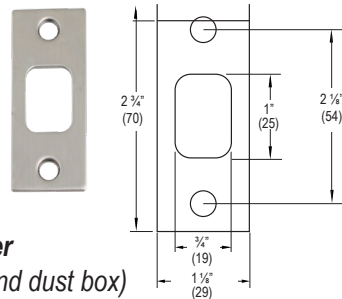
**FLS**  
**Full-lip Strike 1/4" Corner**  
 1 3/4" x 2 1/4"



UNITS: in (mm)



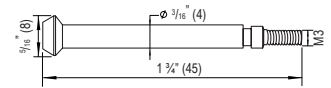
**T2STRK**  
**Deadbolt Strike 1/8" Corner**  
 (with reinforcement plate and dust box)  
 1 1/8" x 2 3/4" (29 x 70)



UNITS: in (mm)



**CTPRIPIN**  
**Privacy Pin**  
 Comes with all privacy latches



UNITS: in (mm)

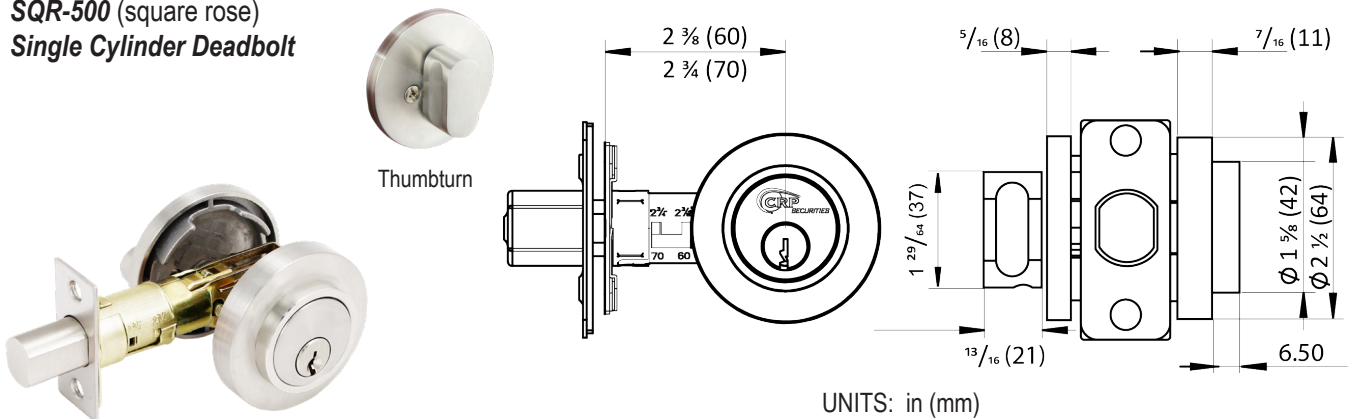


**ALLENKEY**  
**Allen Key**  
 Comes with all locksets

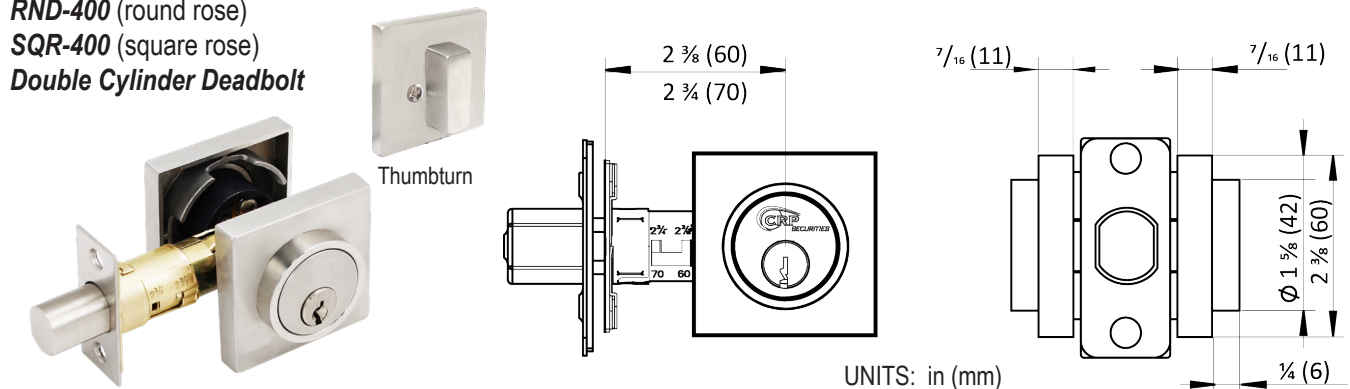


**EMRELPIN**  
**Emergency Release Pin**  
 Comes with all privacy latches

**RND-500** (round rose)  
**SQR-500** (square rose)  
**Single Cylinder Deadbolt**



**RND-400** (round rose)  
**SQR-400** (square rose)  
**Double Cylinder Deadbolt**



### APPLICATION

For residential and commercial exterior and interior doors

### MATERIAL

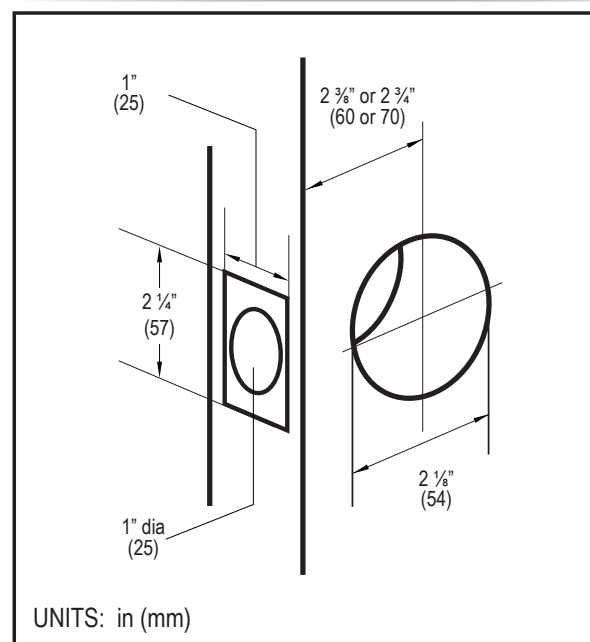
Stainless Steel

### SPECIFICATIONS

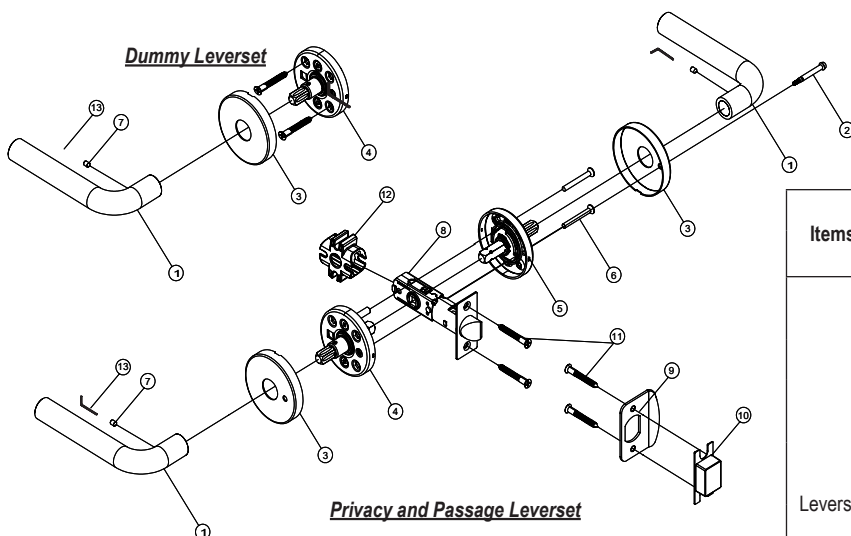
- Latch Bolt: Grade 1, 4-way Drive-In, Brass, Satin Nickel bolt
- Latch Backset: Adjustable 2 3/8 (60) and 2 3/4 (70)
- Handing: Non-Handed
- Latch Faceplate: 1" x 2 1/4" (25 x 57)
- Deadbolt Strike: 1 1/8" x 2 3/4" (29 x 70) square corner (standard)
- Security Strike: 1 1/8" x 2 3/4" x 3/32" (29 x 70 x 2) (standard)
- Cylinder and Keys: Schlage C Keyway, Cylinder 5-pin with 2 keys  
Keying service available

MODEL	DESCRIPTION	DOOR THICKNESS
RND-508	SINGLE CYLINDER	1 3/8" (35) - 1 3/4" (45)
RND-504	ROUND ROSE	1 3/4" (45) - 2" (50)
SQR-508	SINGLE CYLINDER	1 3/8" (35) - 1 3/4" (45)
SQR-504	SQUARE ROSE	1 3/4" (45) - 2" (50)
RND-404	DOUBLE CYLINDER	1 3/4" (45) - 2" (50)
SQR-404	DOUBLE CYLINDER	1 3/4" (45) - 2" (50)

### DOOR PREPARATION

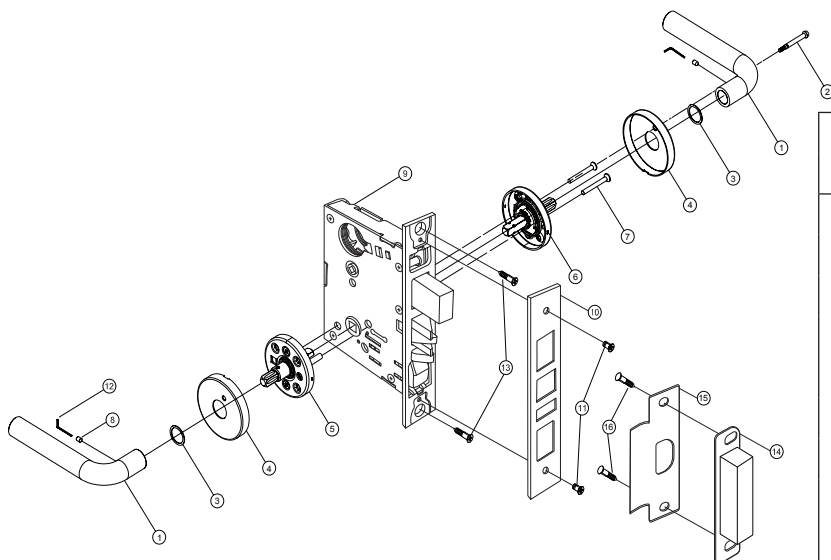


## EXPLODED DIAGRAM ROSE WITH TUBULAR LATCH



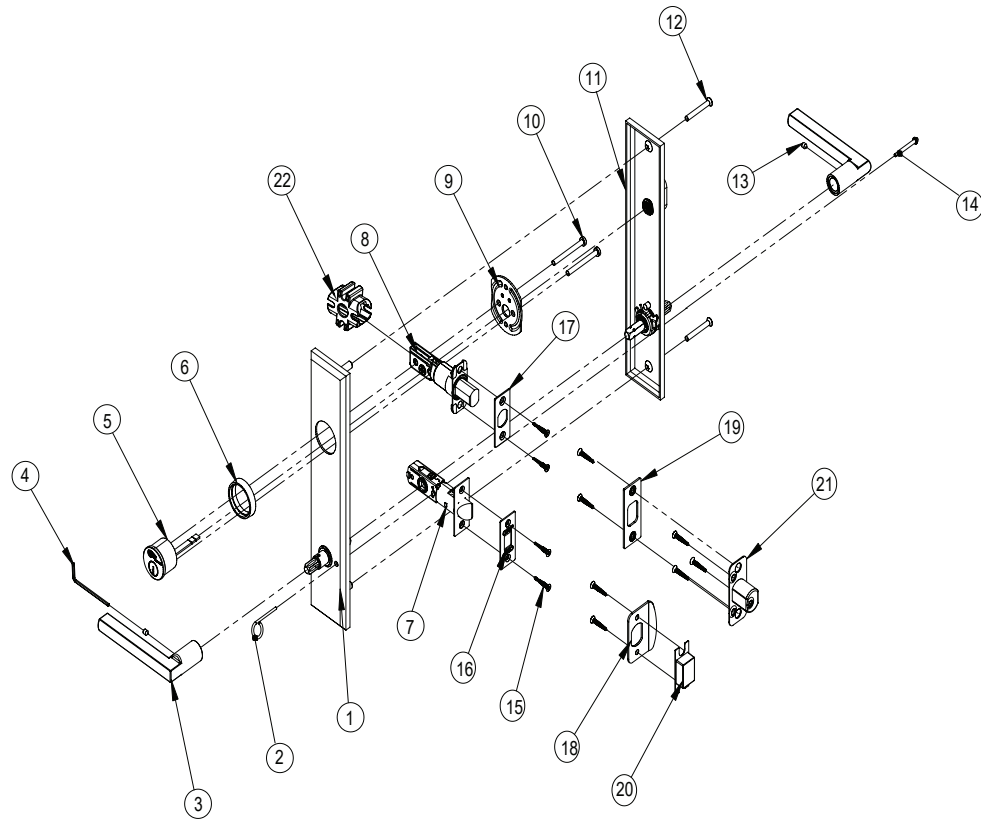
Items	No.	Parts Description	Function		
			Privacy	Passage	Dummy
Leverset	1	Outside / Inside Lever / Knob	2 ea	2 ea	1 ea
	2	Privacy Pin	1 ea	—	—
	3	Giro / Quadro Outside / Inside Rose Cover	2 ea	2 ea	1 ea
	4	Giro / Quadro Outside Inner Rose	1 ea	1 ea	—
	5	Giro / Quadro Inside Inner Rose	1 ea	1 ea	1 ea
	6	8U32*40 Screw	2 ea	2 ea	—
	7	M5x6 Set Screws	2 ea	2 ea	1 ea
	-	4*25 Wood Screw	—	—	4 ea
	13	Hex Key	1 ea	1 ea	1 ea
Locks	8	Tubular Latch	1 ea	1 ea	—
	9	Tubular Latch Striking Plate	1 ea	1 ea	—
	10	Tubular Latch Dust Box	1 ea	1 ea	—
	11	8U32x25 Combination Screws / 3.5x20 Wood Screws	4 ea	4 ea	—
	12	Anti-Pry Shield	1 ea	1 ea	—

## EXPLODED DIAGRAM ROSE WITH NM SERIES MORTISE LOCKS



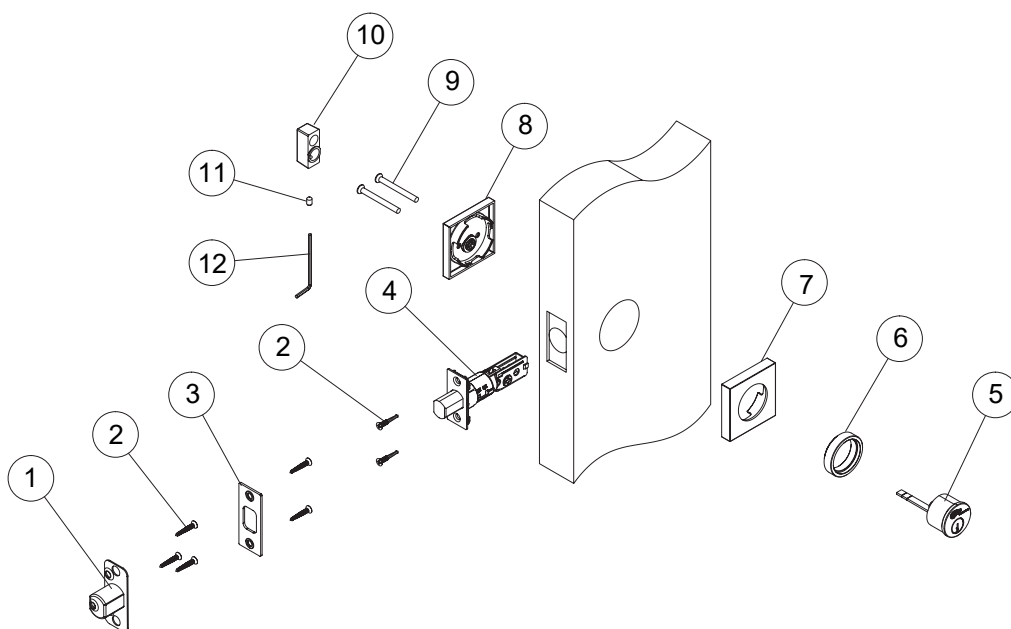
Items	No.	Parts Description	Function
			Mortise
Leverset	1	Outside / Inside Lever / Knob	2 ea
	2	Privacy Pin	1 ea
	3	Giro / Quadro Outside / Inside Rose Cover	2 ea
	4	Giro / Quadro Outside Inner Rose	1 ea
	5	Giro / Quadro Inside Inner Rose	1 ea
	6	8U32*40 Screw	2 ea
	7	M5x6 Set Screws	2 ea
	-	4*25 Wood Screw	—
	12	Hex Key	1 ea
Locks	9	Mortise Lock body	1 ea
	10	Mortise Lock Face Plate	1 ea
	11	Face Plate screws with Mortise Lock	2 ea
	13	Mortise Lock Body screws	2 ea

# EXPLODED DIAGRAM ESCUTCHEON WITH TUBULAR LATCH



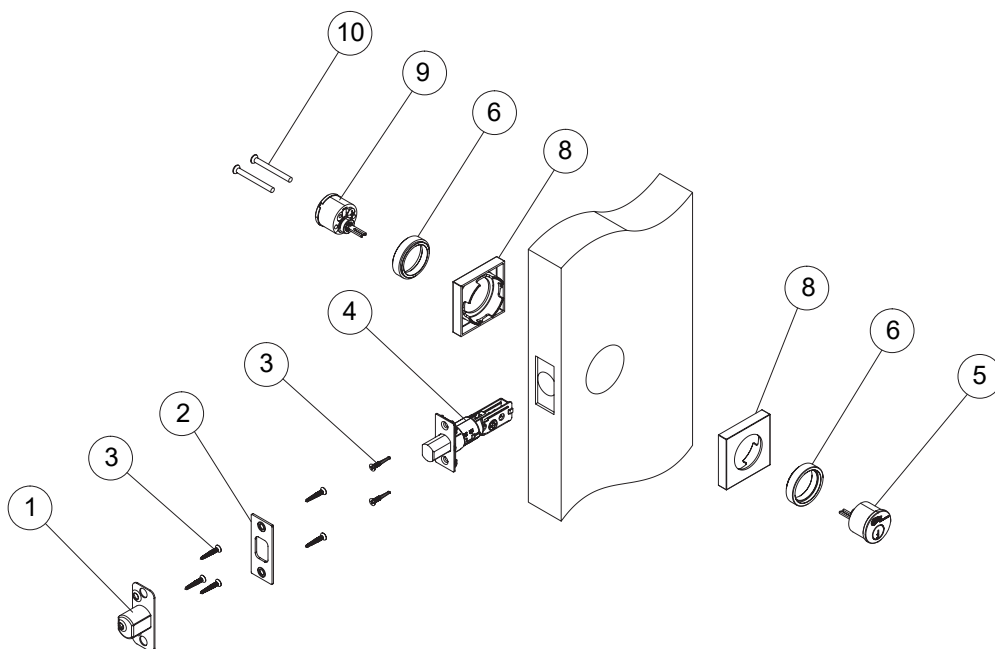
Items	No.	Parts Description	Function			
			Entrance	Privacy	Passage	Dummy
Escutcheon Parts	1	Front Plate	1 ea	1 ea	1 ea	—
	2	Privacy Push Pin Release	—	1 ea	—	—
	3	Lever	2 ea	2 ea	2 ea	1 ea
	4	Hex Key	1 ea	1 ea	1 ea	1 ea
	5	Cylinder	1 ea	—	—	—
	6	Cylinder Ring	1 ea	—	—	—
	9	Cylinder Protective Plate	1 ea	—	—	—
	10	M5 x 50 Screws	2 ea	—	—	—
	11	Back Plate	1 ea	1 ea	1 ea	1 ea
	12	M6 x 40 Screws / 5*38 Wood Screws	2 ea	2 ea	2 ea	2 ea
	13	M5x6 Set Screws	2 ea	2 ea	2 ea	1 ea
	14	Privacy Pin	—	1 ea	—	—
Locks	7	Tubular Latch	1 ea	1 ea	1 ea	—
	8	Deadbolt	1 ea	—	—	—
	15	8U32x25 Combination Screws / 3.5x20 Wood Screws	8 ea	4 ea	4 ea	—
	16	Tubular Latch Striking Plate	1 ea	1 ea	1 ea	—
	17	Deadbolt Face Plate	1 ea	1 ea	1 ea	1 ea
	18	Tabular Latch Striking Plate	1 ea	1 ea	1 ea	—
	19	Deadbolt Striking Plate	1 ea	—	—	—
	20	Tubular Latch Dust Box	1 ea	1 ea	1 ea	—
	21	Deadbolt Dust Box	1 ea	—	—	—
	22	Anti-Pry Shield	1 ea	1 ea	1 ea	—

# EXPLODED DIAGRAM SINGLE CYLINDER WITH DEADBOLT



<b>Part List</b>	
1.	Deadbolt Dust Box
2.	5 x 76 Screws (2 ea)
3.	Deadbolt Striking Plate
4.	Deadbolt
5.	Outside Cylinder w/ Tailpiece
6.	Cylinder Ring
7.	Outside Cylinder Escutcheon
8.	Inside Deadbolt Escutcheon
9.	M5 x 65 Screw (2 ea)
10.	Thumbturn
11.	M5 x 6 Set Screw
12.	Hex Key

# EXPLODED DIAGRAM DOUBLE CYLINDER WITH DEADBOLT



<b>Part List</b>	
1.	Deadbolt Dust Box
2.	5 x 76 Screws (2 ea)
3.	Deadbolt Striking Plate
4.	Deadbolt
5.	Outside Cylinder w/ Tailpiece
6.	Cylinder Ring
7.	Outside Cylinder Escutcheon
8.	Inside Deadbolt Escutcheon
9.	Inside Cylinder w/ Tailpiece
10.	M5 x 6 Set Screw

## MAINTENANCE

All Cal-Royal Locksets were designed and manufactured to be maintenance-free under normal operating conditions and environments. Exposure to extremely heavy traffic and / or particularly dusty and dirty environmental conditions, however, may eventually cause unsatisfactory operation due to slow-moving parts or sticking cylinders. In this case, it may be necessary to clean and re-lubricate the lockset to maintain optimum performance.

### Locksets

- To clean the lockset mechanism, use a non-corrosive substance or a penetrating or solvent type lubricant to loosen sticking components, then lubricate with lithium grease, silicone or teflon based lubricant
- Do not use lubricant in cylinder (oil or aerosol type)

### Cylinders

- When a key becomes “sticky” in a cylinder, you may sprinkle a small amount of graphite onto the key and then insert the key inside the cylinder
- To free up sticking cylinders, lubricate with graphite or a non-oily lubricant (such as Lock-EZE)
- Do not use petroleum-based lubricants in the cylinder keyway. WD-40 or oil will collect dirt over time, and a liquid might even freeze in the lock if weather is cold enough. Graphite is the good choice, the powdered version of molybdenum disulfide would work as well
- Do not use lubricant in cylinder (oil or aerosol type)

## STAINLESS STEEL - CARE & MAINTENANCE GUIDE

Stainless steel is a durable material which improves longevity and minimal wear. Exterior use, coastal areas and other corrosive environments may result in pitting, surface rust, and tarnishing.

The main difference between a stainless steel and carbon steel is the amount of chromium present. Carbon steel rusts immediately when exposed to air and moisture. It may take longer for stainless steel to corrode, but it will definitely do if not properly maintained.

We recommend cleaning with available commercial cleansing agents. Avoid using steel wool, steel brushes or similar accessories when cleaning as these harm the protective surface and rust may arise from the abrasion.

Some commercial products are also available that provides a non-stick protective coating that seals the surface, allowing for easier cleaning and maintenance like:

- EnduroShield Stainless Steel Coating
- Sprayon Stainless Steel Protective Coating
- ProtectaClear, by Everbrite

**NOTE: Cal-Royal does not sell these products.**

# PRODUCT WARRANTY

## MERCHANDISE WARRANTY

Goods are warranted against defects in manufacture for one year. The company makes no other warranty, and all implied warranties including any warranty of merchantability or fitness for a particular purpose are limited to the duration of the expressed warranty period as set forth above.

The company's maximum liability hereunder is limited to the purchase price of the products, in no event shall the company be liable for any consequential, indirect, incidental or special damages of any nature arising from the sale or use of this product, whether in contract, tort, strict liability or otherwise.

Products will not be accepted for repair or replacement under this warranty unless we have given prior authorization for their return. Upon receipt of products returned for repair or replacement we will determine whether products qualify for repair or replacement under this warranty; if they do not, we will notify our customer of estimated costs of repair or replacement involved and will obtain authorization prior to proceeding. We have no liability to pay any costs of repair performed by anyone other than us, unless in each instance we have given prior written approval of such repair in which case we will pay what we consider to be the reasonable cost thereof.