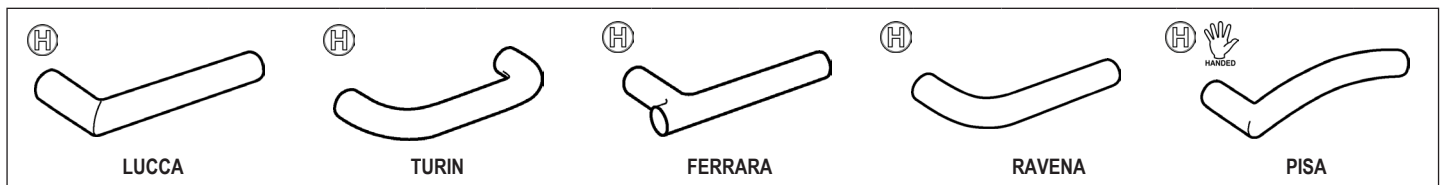
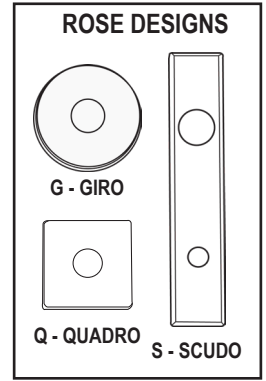


ITALIA Series

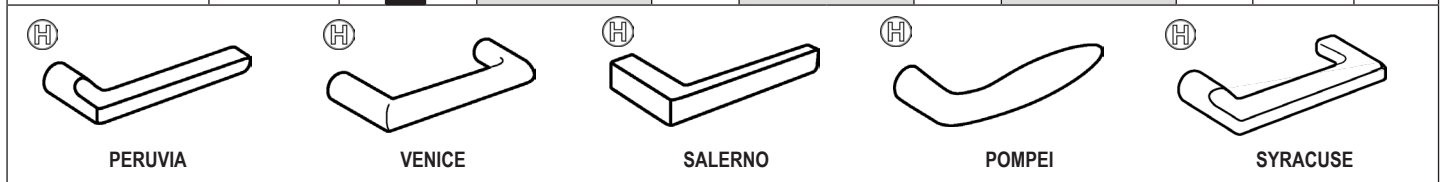
STAINLESS STEEL LOCKSETS, KNOBSETS, ESCUTCHEONS, ANSI STANDARD A156.2, GRADE 3

STOCK ITEM FINISH IN BOLD
NON-STOCK FINISHES AND
DESIGNS AVAILABLE WITH
FACTORY LEAD TIME AND
SUBJECT TO MINIMUM ORDER

HOW TO ORDER					
DDD-FFB-[H]R US32X					
DESIGN (ddd)	FUNCTION (FF)	BACKSET (b)	HANDING (H)	ROSE (R)	FINISH (US32X)
See Lever / Knob designs in the table below	00 - Entrance 20 - Privacy 30 - Passage 40 - Single Dummy	8 - 2 3/8" (standard) 4 - 2 3/4"	L - Left Hand R - Right Hand <small>SPECIFY for Handed Levers or Scudo Privacy</small>	G - Giro Q - Quadro S - Scudo	US32D - Satin SS US32 - Polished SS US1 - Black



LEVER DESIGNS	FUNCTION + 2 3/8" BACKSET STD		HANDING	GIRO ROSE (ROUND)		QUADRO ROSE (SQUARE)		SCUDO (ESCUTCHEON)		PCS / MC		
				FINISHES		FINISHES		FINISHES		QUADRO GIRO	SCUDO	
Lucca - LUC Turin - TUR Ferrara - FER Ravena - RAV *Pisa - PIS	ENTRANCE w/ deadbolt	00	8	L / R *Handed	N/A	N/A	N/A	N/A	US32D, US32D	US1	N/A	6
	PRIVACY	20	8		US32D, US32D	US1	US32D, US32D	US1			24	
	PASSAGE	30	8								36	
	DUMMY (SINGLE)	40										



LEVER DESIGNS	FUNCTION + 2 3/8" BACKSET STD		HANDING	GIRO ROSE (ROUND)		QUADRO ROSE (SQUARE)		SCUDO (ESCUTCHEON)		PCS / MC		
				FINISHES		FINISHES		FINISHES		QUADRO GIRO	SCUDO	
Peruvia - PER Venice - VEN Salerno - SAL Pompei - POM Syracuse - SYR	ENTRANCE w/ deadbolt	00	8	Non-handed	N/A	N/A	N/A	N/A	US32D, US32D	US1	N/A	6
	PRIVACY	20	8		US32D, US32D	US1	US32D, US32D	US1			24	
	PASSAGE	30	8								36	
	DUMMY (SINGLE)	40										

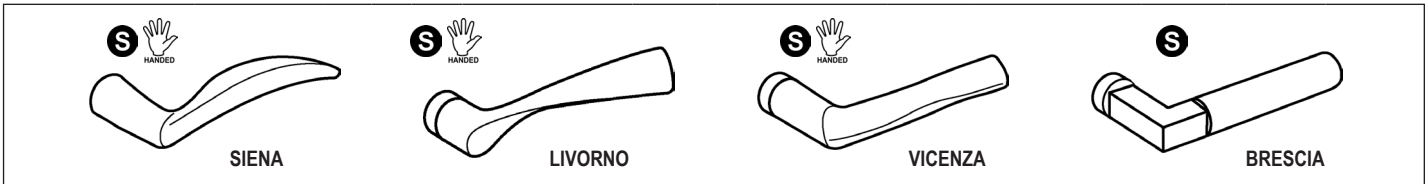
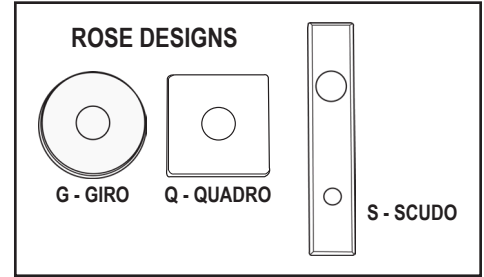
HANDED H - HOLLOW S - SOLID

****Specify Handing when ordering**
Privacy function with Scudo rose design

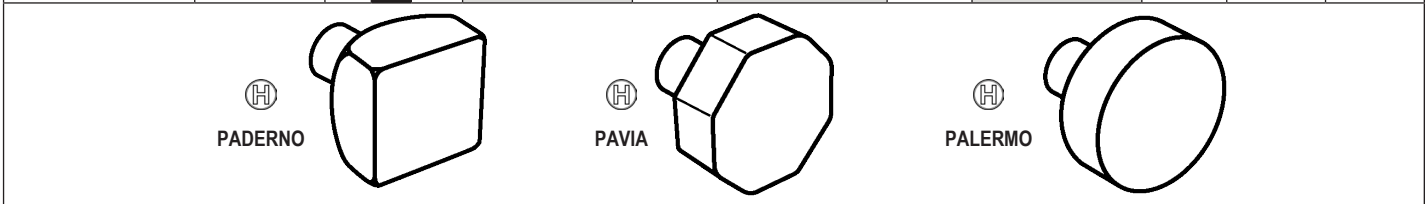
◆◆ CONTINUED NEXT PAGE ◆◆

ITALIA Series List Price

STAINLESS STEEL LOCKSETS, KNOBSETS, ESCUTCHEONS, ANSI STANDARD A156.2, GRADE 3



SOLID LEVER DESIGNS	FUNCTION + 2 3/8" BACKSET STD			HANDING	GIRO ROSE (ROUND)		QUADRO ROSE (SQUARE)		SCUDO (ESCUTCHEON)		PCS / MC	
	ENTRANCE w/ deadbolt				FINISHES		FINISHES		FINISHES		QUADRO GIRO	SCUDO
*Siena - SIE *Livorno - LIV *Vicenza - VIC Brescia - BRE	ENTRANCE w/ deadbolt	00	8	L / R*Handed	N/A	N/A	N/A	N/A	US32D, US32	US1	N/A	6
	PRIVACY	20	8		US32D, US32	US1	US32D, US32	US1			24	
	PASSAGE	30	8								36	
	DUMMY (SINGLE)	40										



KNOB DESIGNS	FUNCTION + 2 3/8" BACKSET STD			HANDING	GIRO ROSE (ROUND)		QUADRO ROSE (SQUARE)		SCUDO (ESCUTCHEON)		PCS / MC	
	ENTRANCE w/ deadbolt				FINISHES		FINISHES		FINISHES		QUADRO GIRO	SCUDO
Paderno - PAD Palermo - PAL Pavia - PAV	ENTRANCE w/ deadbolt	00	8	Non-handed	N/A	N/A	N/A	N/A	US32D, US32	US1	N/A	6
	PRIVACY	20	8		US32D, US32	US1	US32D, US32	US1			24	
	PASSAGE	30	8								36	
	DUMMY (SINGLE)	40										

STANDARD PACKAGING INCLUDES

GIRO AND QUADRO ROSE STYLE LEVERSETS / KNOBSETS

- Non-handed 2 3/8" backset (2 1/4" x 1") square corner, standard
- Full lip strike round corner 1/4" radius, T-Strike, 1 1/8" x 2" square corner

SCUDO ESCUTCHEON STYLE

- Schlage "C" 5-pin cylinder on deadbolt (Entrance Function)
- Non-handed 2 3/8" backset (2 1/4" x 1") square corner, standard
- Full lip strike round corner 1/4" radius, T-Strike, 1 1/8" x 2" square corner

OPTIONS

- Optional 2 3/4" backset
- See PARTS and ACCESSORIES page for options.

****Specify Handing when ordering
Privacy function with Scudo rose design**



- HANDED

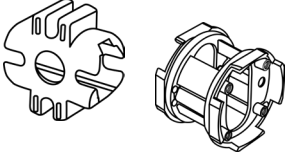
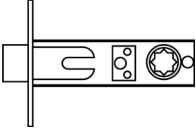
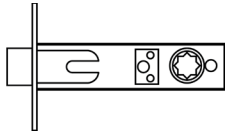
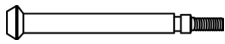

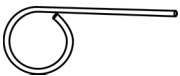
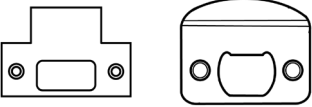
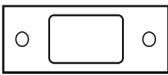
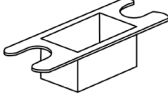





- HOLLOW



- SOLID

► **ADDITIONAL PARTS & CHARGES FOR ITALIA SERIES**

ILLUSTRATION	ITEM#	DESCRIPTION	UOM
	APS PVC	Anti-pry Shield PVC material	EACH
	APS ZINC	Anti-pry Shield Zinc material	
	CTPAS238	Passage 2 3/8" backset (fixed)	EACH
	CTPRI238	Privacy 2 3/8" backset (fixed)	
	CTPAS234	Passage 2 3/4" backset (fixed)	
	CTPRI234	Privacy 2 3/4" backset (fixed)	
	CTPRIPIN US32D	Privacy Pin Satin Stainless Steel Finish	EACH
	CTPRIPIN US32	Privacy Pin Polished Stainless Steel Finish	
	ALLENKEY	Allen Key	EACH
	EMRELPIN	Emergency Release Pin	EACH
	TS	T-Strike	EACH
	FLS	Full Lip Strike	
	ITA-FP US32D	Latch Face Plate Italia Series	EACH
	ITA-FP US32	Latch Face Plate Italia Series	
	ITA-SB	Plastic Strike Box Italia Series	EACH
	ITA-SETSCREW	M4 x 0.7 Lever / Knob set screws Italia Series	EACH
	ITA-SCREWPACK	8-32 x 1 1/2" Screws for lock body Italia Series (PAIR)	PAIR
	ITA-COMBISCREW	8-32 x 1" Combination metal-wood screws Italia Series (PAIR)	

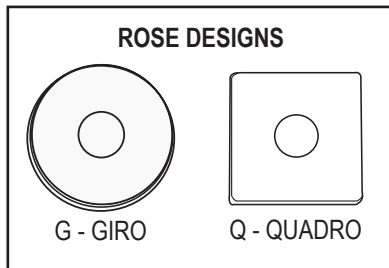
ITALIA Series

STAINLESS STEEL MORTISE LOCKS, ANSI STANDARD A156.13, GRADE 1

STOCK ITEM FINISH IN BOLD
NON-STOCK FINISHES AND DESIGNS AVAILABLE WITH FACTORY LEAD TIME AND SUBJECT TO MINIMUM ORDER

FUNCTIONS	ANSI	FINISHES			PCS / MC
◀Single cylinder without deadbolt					
NM8050 - Office / Entrance	F04	US32D	US32	US19	6
NM8070 - Classroom	F05				
NM8080 - Storeroom	F07				
◀Single cylinder with deadbolt					
NM8453 - Entrance	F20	US32D	US32	US19	6
NM8456 - Corridor	F13				
NM8495 - Keyed Privacy with Indicator	----	US32D	US32	US19	6
NM8465 - Closet / Storeroom with Deadbolt	----	US32D			
NM8473 - Dormitory / Bedroom	F21				
◀Double cylinder without deadbolt					
NM8082 - Asylum / Institution	F30	US32D	US32	US19	6
◀ Double cylinder with deadbolt					
NM8466 - Storeroom	F14	US32D	US32	US19	6
◀Other Functions					
NM8440 - Privacy with Deadbolt	F19	US32D	US32	US19	6
NM8445 - Privacy with Deadbolt, Coin Turn & Indicator	F19B	US32D			
NM8010 - Passage	F01	US32D			

All keyed lock functions are available with **Best, Falcon and Arrow, Schlage, Corbin / Russwin, Sargent, and Yale Large Format Interchangeable Cores**



ORDERING FOR NM SERIES MORTISE LOCK

The Lever and Knob designs can also be used for our NM Series Mortise Locks. To order, refer to functions in the NM Series page and choose a function, indicate handing, lever / knob design, rose design (G or Q) and finish: **NMnnnnHH-ddd-r US32x**

e.g. :
To order NM8080 function LH in SIENA lever design with round rose in US32D finish use:

NM8080LH-SIE-G US32D

ITALIA Series

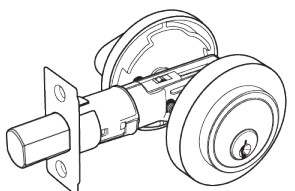
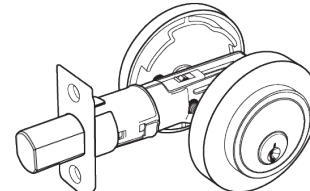
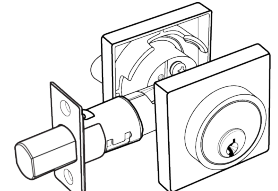
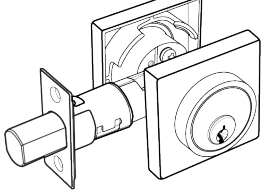
STAINLESS STEEL DEADBOLTS WITH GRADE 1 LATCH

ANSI STANDARD A156.36, GRADE 3

► KEYWAY standard 5-PIN SCHLAGE "C"

- Latch Bolt: Grade 1, 4-way Drive-In, Brass, Satin Nickel bolt
- Latch Backset: Adjustable 2 3/8 (60) and 2 3/4 (70)
- Handing: Non-Handed
- Latch Faceplate: 1" x 2 1/4" (25 x 57)
- Deadbolt Strike: 1 1/8" x 2 3/4" (29 x 70) square corner (standard)
- Security Strike: 1 1/8" x 2 3/4" x 3/32" (29 x 70 x 2) (standard)
- Keying service available

► DEADBOLT DESIGNS

 RND-504 / RND-508 SINGLE CYLINDER	 RND-404 DOUBLE CYLINDER	 SQR-504 / SQR-508 SINGLE CYLINDER	 SQR-404 DOUBLE CYLINDER
ROUND		SQUARE	

STOCK ITEM FINISH IN BOLD
NON-STOCK FINISHES AND DESIGNS AVAILABLE WITH FACTORY LEAD TIME AND SUBJECT TO MINIMUM ORDER

DEADBOLT ----- ITALIA SERIES

FUNCTIONS		ANSI	ITEM #	FINISHES		PCS / MC
Single Cylinder Round Deadbolt	for 1 3/4" Door Thickness	E0153	RND-504	US32D, US32	US1	18
	for 1 3/8" Door Thickness		RND-508			
Single Cylinder Square Deadbolt	for 1 3/4" Door Thickness	E0153	SQR-504			
	for 1 3/8" Door Thickness		SQR-508			
Double Cylinder Round Deadbolt	for 1 3/4" Door Thickness	E0143	RND-404	US32D, US32	US1	
Single Cylinder Round Deadbolt	for 1 3/4" Door Thickness		SQR-404			