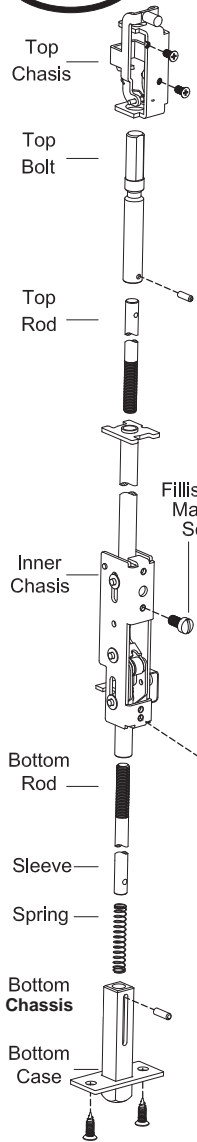
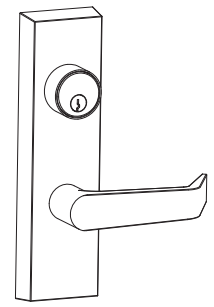
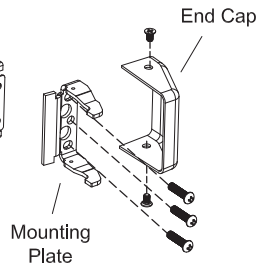
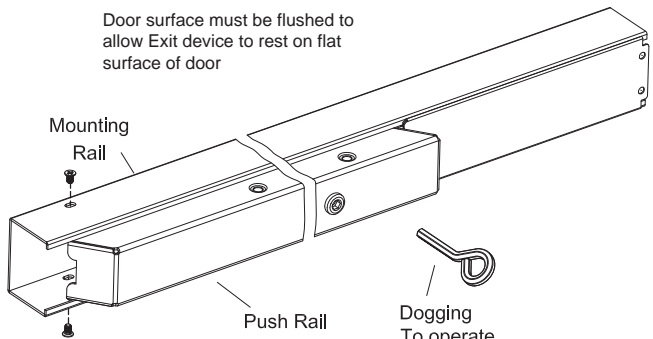
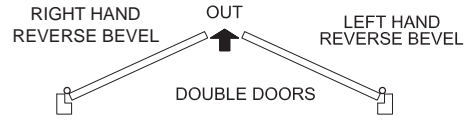


# INSTALLATION INSTRUCTIONS FOR GLSCVR98 SERIES NARROW HEAD CONCEALED VERTICAL ROD PANIC EXIT DEVICE FOR GLASS DOORS



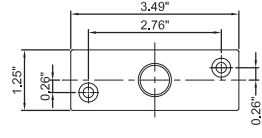
Available stock length  
 - For 32" doors, Device can be cut to fit doors down to 24" wide  
 - For 36" doors, Device can be cut to fit doors down to 32" wide  
 - For 48" doors, Device can be cut to fit doors down to 36" wide

THIS EXIT DEVICE IS HANDED  
 CHECK HAND OF DEVICE AGAINST APPLICATION



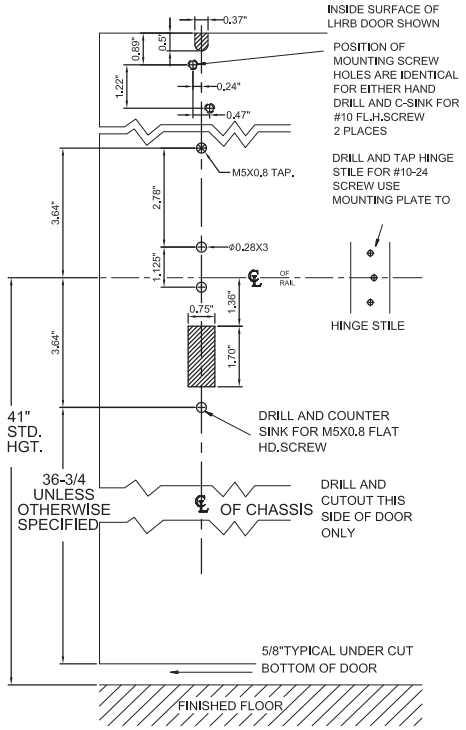
If Esc Lever trim is used, See Instruction sheet packed with the trim

#10-21 FLL HD Machine screws or #10x1" FL HD wood screws

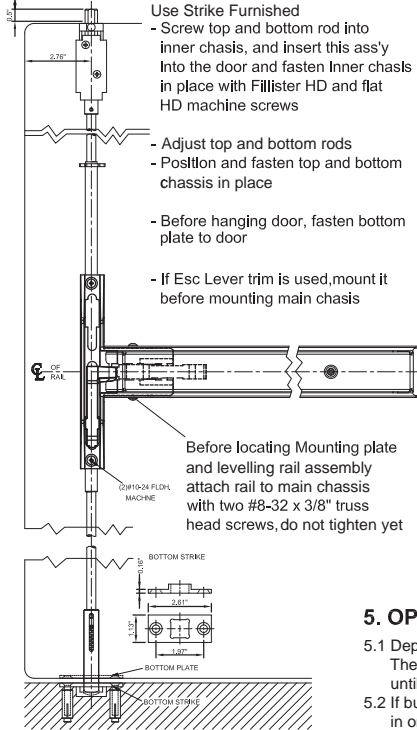


TOP STRIKE

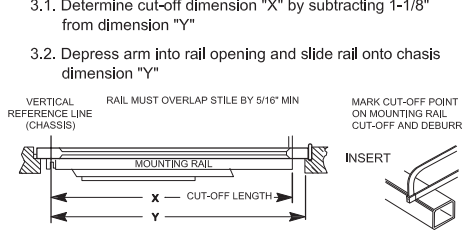
## 1. PREPARE DOOR



## 2. MOUNT ROD & CHASIS

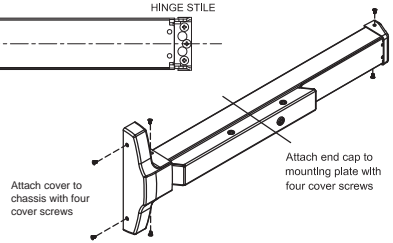


## 3. MOUNT RAIL ASS'Y



## 4. ATTACH COVER

- Attach cover to chasis with four cover screws



## 5. OPERATION CHECK

- 5.1 Depress pushrail, bolt should retract into door. The latch retractor button should pop out and hold the bolt retracted until button is depressed
- 5.2 If button does not pop out, remove top chasis and screw the top rod in one turn. Replace top chasis and repeat above operation