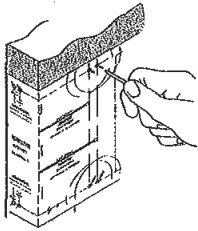




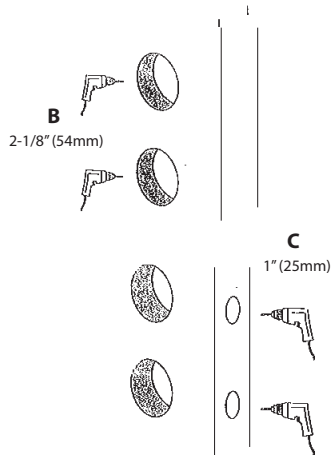
# INSTALLATION INSTRUCTIONS FOR JHIL INTERCONNECTED LOCKS

## 1. MARK DOOR



- Check lock for proper backset and door thickness of the door before marking.
- Fold template at correct markings for door.
- Mark appropriate centers for 2-1/8" (54mm) holes.
- Mark center for 1" (25mm) diameter latch holes in door edge.

## 2. DRILL HOLES

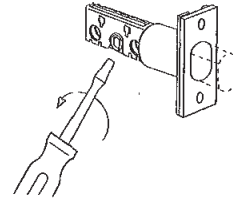


- Determine backset (2-3/4" or 2-3/8") of the lock.
- Drill the 2-1/8" (54mm) holes about halfway through door face from both sides to avoid damaging wood surface.
- Drill 1" (25mm) diameter holes on door edge.

## 3. INSTALL DEADBOLT & LATCHBOLT

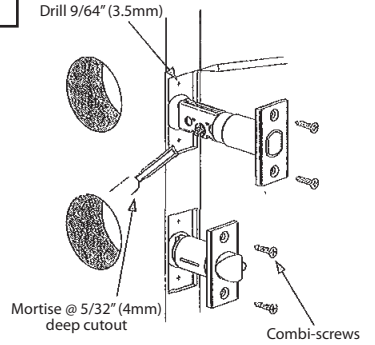
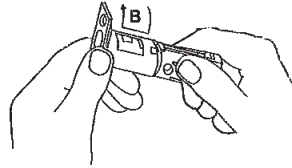
**ADJUSTABLE DEADBOLT IS FACTORY PRESET 2-3/4" (70MM) BACKSET**

- Bolt must be retracted.  
Retract bolt. (If necessary, use screw driver to turn cam and retract bolt).



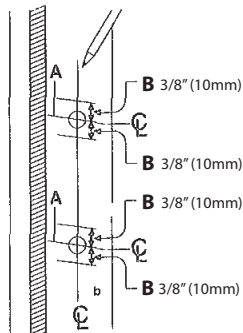
- How to adjust for 2-3/8" (60mm) backset.

**NOTE: Rotate faceplate and push down to move housing to next position**

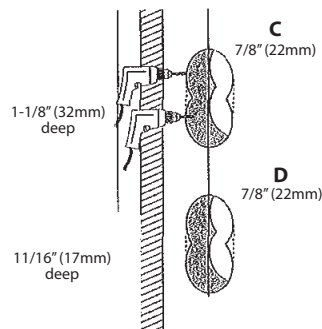


- Insert latch bolt and dead bolt into corresponding holes. Trace around faceplate.
- Chisel out excess wood until faceplate fits flat with door edge.
- Drill (4) 9/64" (3.5mm) holes and secure latchbolt and deadbolt with combi-screws supplied.

## 4. PREPARE DOOR JAMB

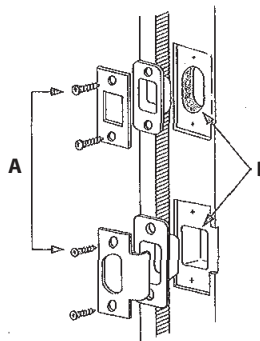


- Locate exact centerline of bolt and mark centerline of jamb.
- Mark drill points 3/8" (10mm) above and below centerline.

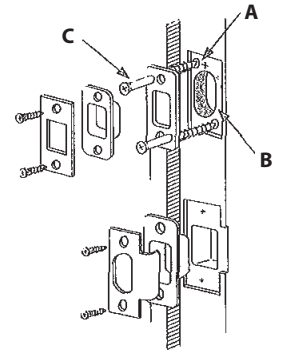


- Drill two overlapping 7/8" (22mm) holes 1-1/4" deep for deadbolt. Clean out hole.
- Drill two overlapping 7/8" (22mm) holes 11/16" deep for latchbolt into door jamb as shown

## 5. INSTALL STRIKE

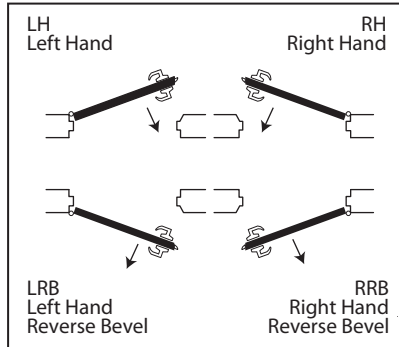


- Place strike box in hole. Place strike over the strike box and use it as pattern for cutout.
- Chisel about 1/8" (3.2mm) deep for flush fit of box and strike
- Install strike box and strike.



- Place reinforcer in cutout with screw holes as shown. Mark & drill 3/16" (5mm) pilot holes
- Chisel about 1/4" (6mm) deep for flush fit of reinforcer, box and strike.
- Install reinforcer with 3" (76mm) wood screws.
- Install strike box and strike.

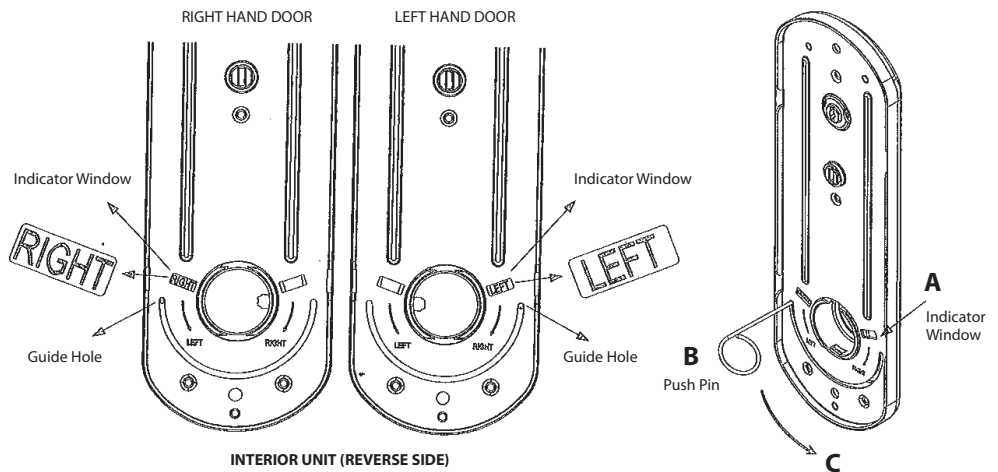
## 6. HANDING



- Determine and note your hand of door.
- When standing on the exterior side of the door, and the hinges are to your right, you have a RIGHT HAND DOOR.
- If the hinges are to your left, you have a LEFT HAND DOOR.

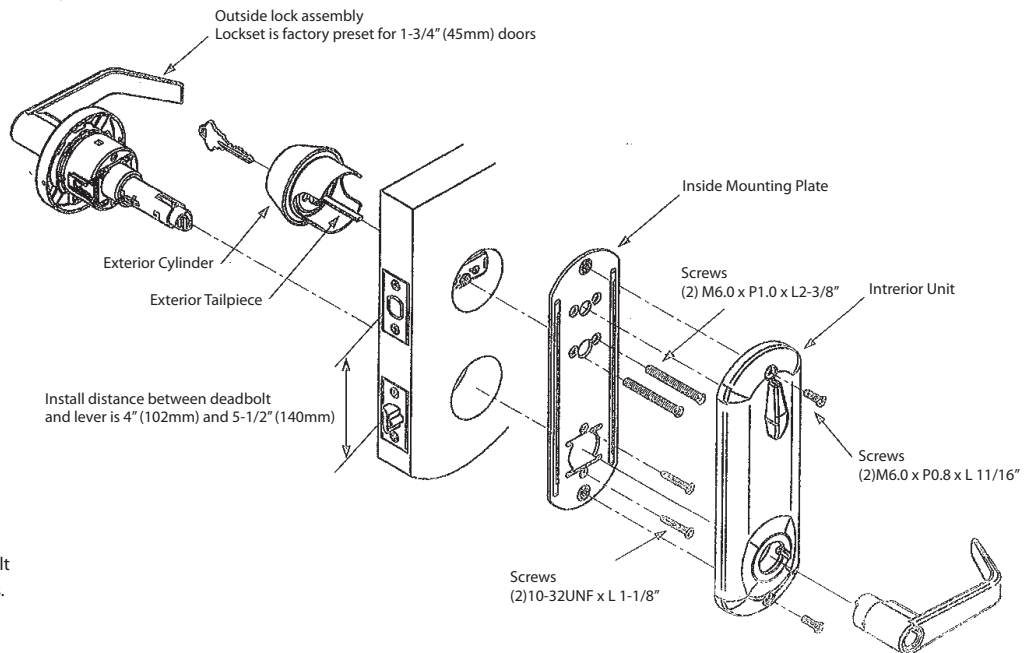
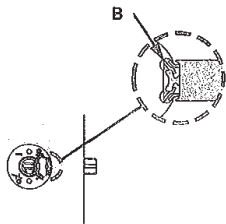
## 7. HOW TO CHANGE DOOR HANDING

- Check if RIGHT-HAND or LEFT-HAND.
- Insert push pin (provided) into the guide hole at the end of the semicircle as shown on the following diagram.
- While push pin is inserted on the guide hole, move it along the semicircle guide until you see either "LEFT" or "RIGHT" on the indicator window.



## LOCK INSTALLATION

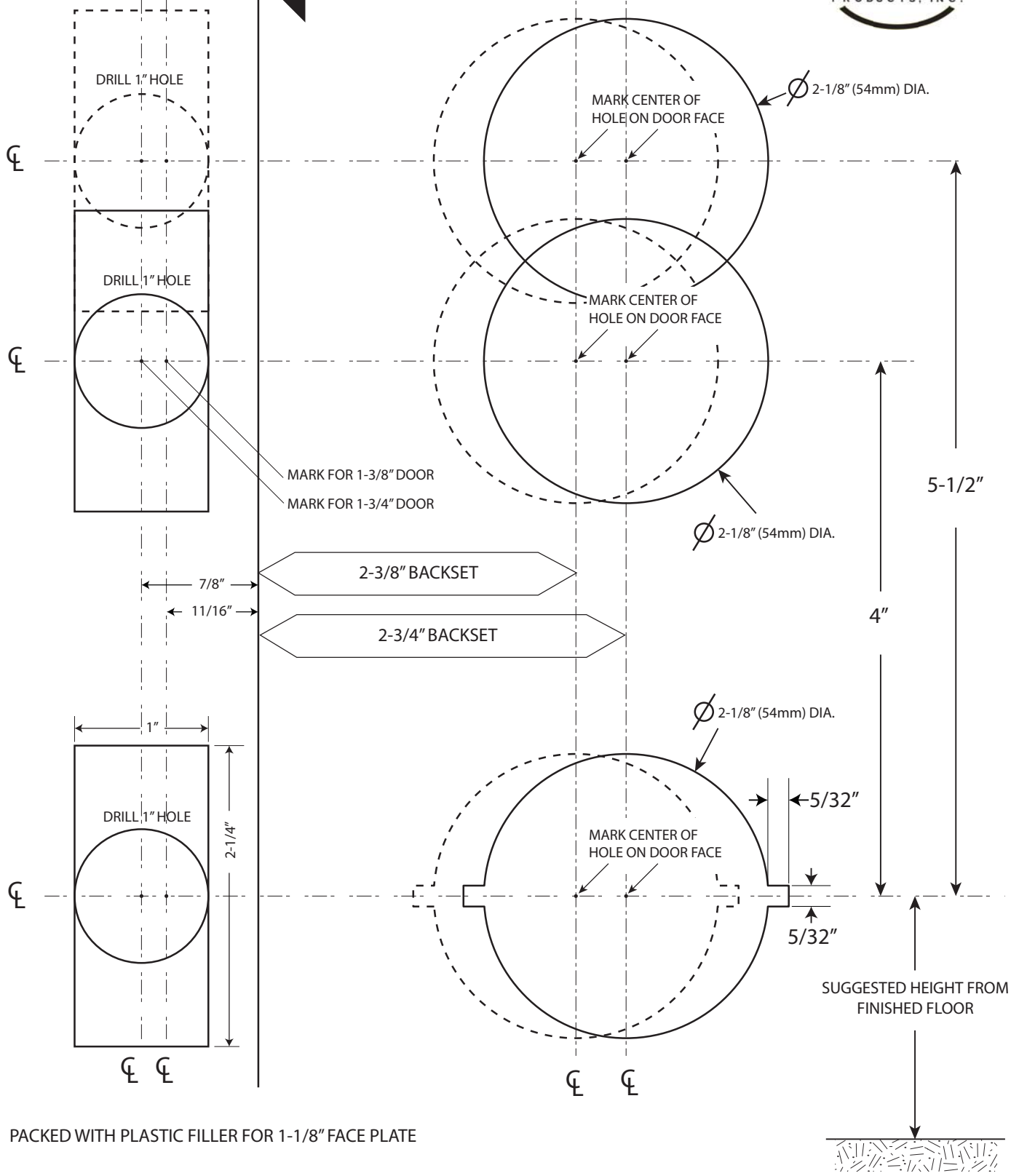
- Remove inside lever from lock, using push pin.
- Install lock assembly into door and engage latch as detailed.



- Place inside mounting plate. Tighten it to lock body with two (2) 10-32UNF x L 1-3/8" screws.
- Install exterior deadbolt cylinder assembly with tailpiece horizontally.
- Tighten inside mounting plate to exterior deadbolt cylinder with two (2) M6.0 x P1.0 x L 2-3/8" screws.
- Install interior unit with two (2) M5.0 x P0.8 x L 11/16" screws.
- Install inside lever.



FOLD ON HIGH EDGE OF DOOR



PACKED WITH PLASTIC FILLER FOR 1-1/8" FACE PLATE

## TEMPLATE FOR JHIL INTERCONNECTED LOCKS