

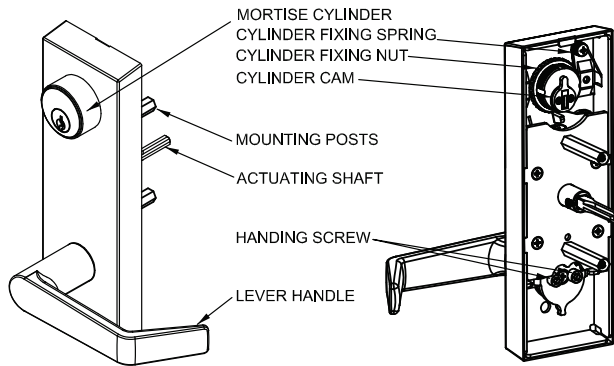


INSTALLATION INSTRUCTIONS FOR ESCUTCHEON LEVER TRIM FOR EXIT DEVICE - **ESC3300**

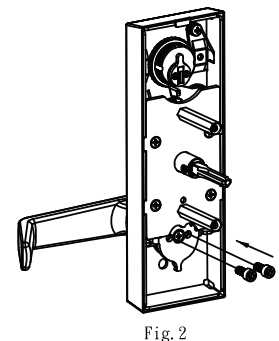
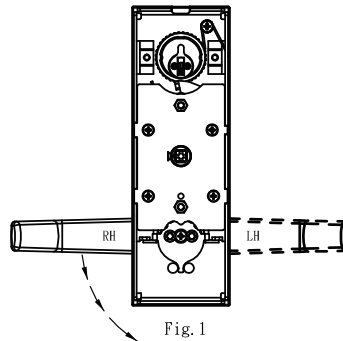
SET UP HAND OF LEVER HANDLE

1. Trim shipped with lever in the natural (non-handed) position.
 2. Turn lever handle to right or left direction to meet door handing.(Fig.1)
 3. Tighten handing screws (2), (inside hexagon).(Fig.2)
- ※ Please proceed with ESCUTCHEON TRIM / EXIT DEVICE INSTRUCTIONS.

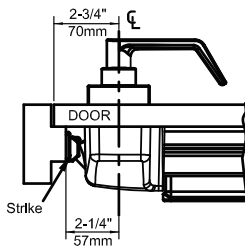
1. Parts name



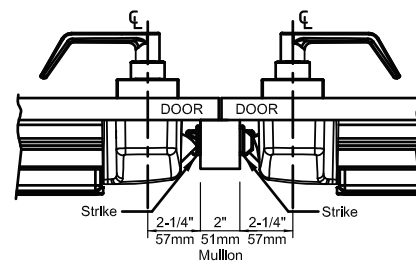
APPLICATIONS



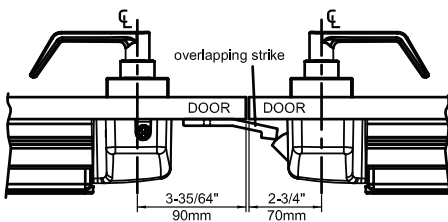
Single Door With Rim Device



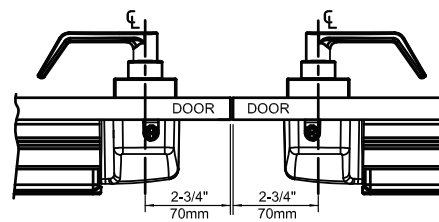
Double Door With Mullion



Double Door With Rim Device and Surface Vertical Rod Device



Double Door With Surface Vertical Rod Device



INSTALL MORTISE CYLINDER

1. Attach the collar and mortise cylinder to the ESC case with mortise nut.(Fig.3)
2. Position cylinder cam & install cylinder fixing spring as shown.(Fig.4)
3. Confirm cylinder fixing spring correct position with provided screw.(Fig.5)

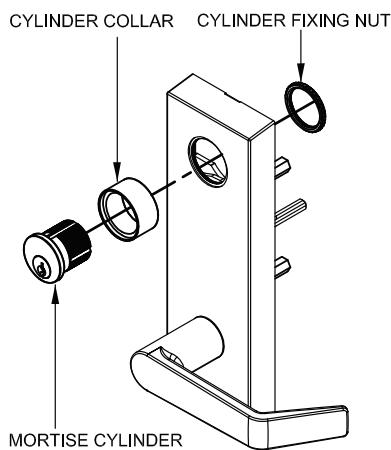


Fig. 3

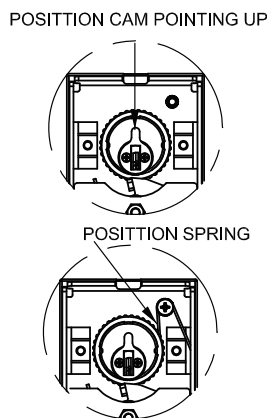


Fig. 4

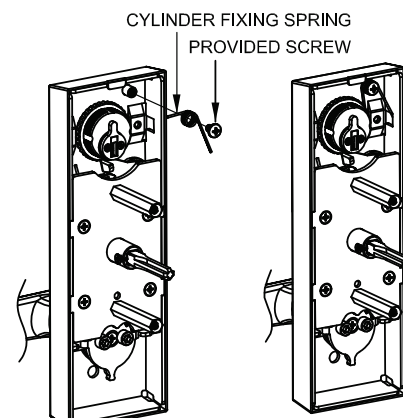
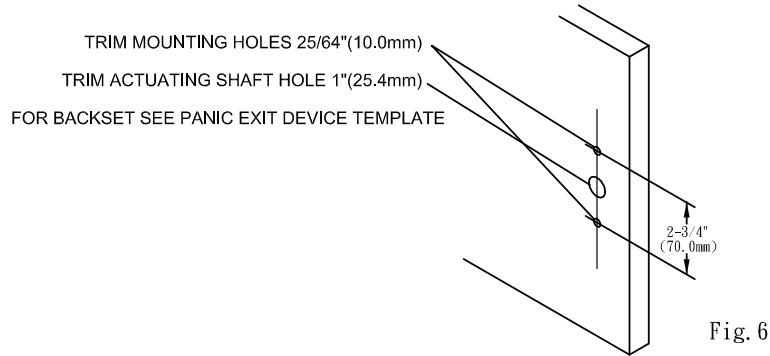


Fig. 5

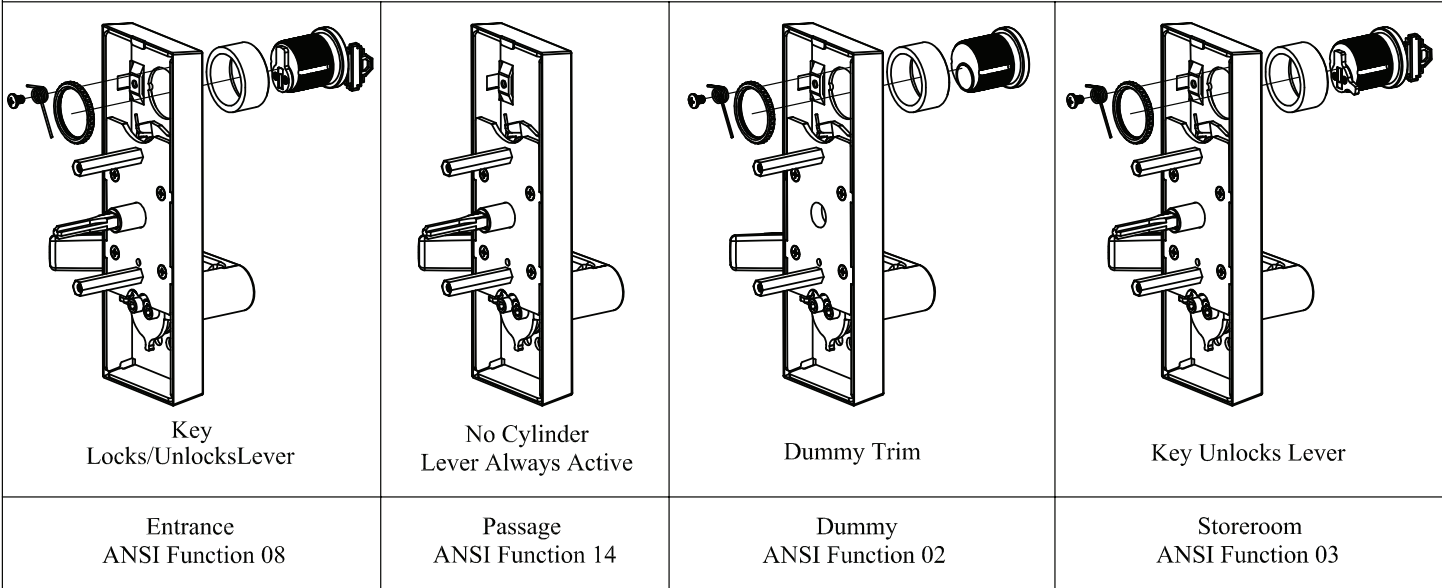
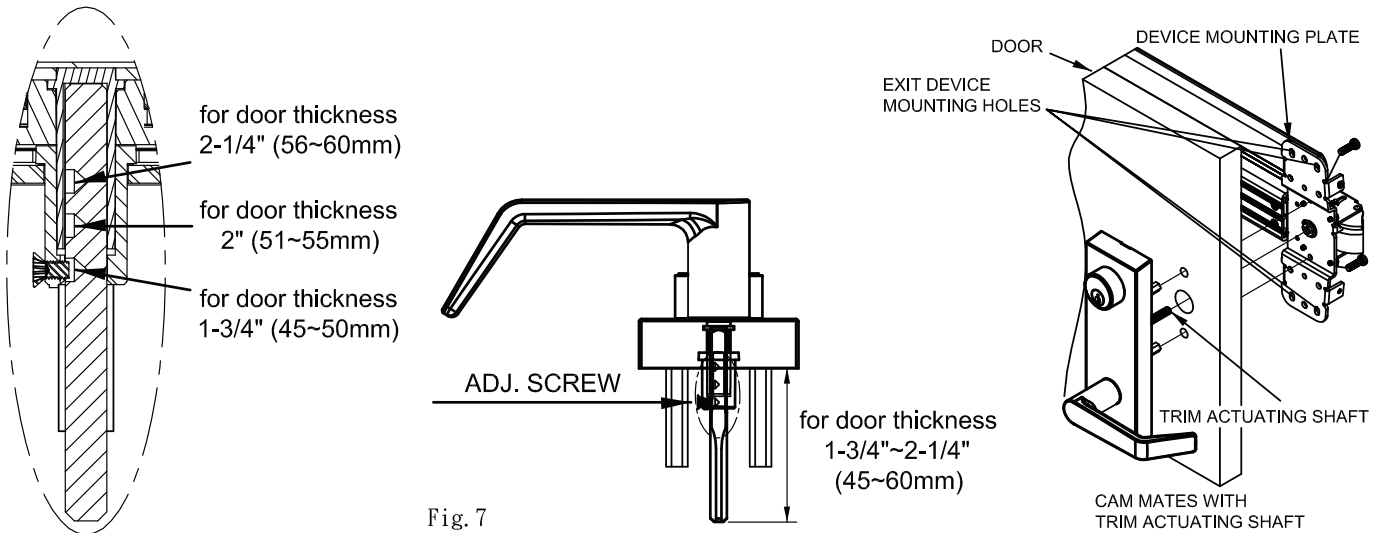
MARK AND MOUNTING HOLES FOR ESCUTCHEON TRIM

1. Mark horizontal centerline by matching to the exit device centerline, which can be found from the exit device template.
2. Refer to Applications Section on page 1 to determine the location of the vertical centerline. Apply trim TEMPLATE to door refer to vertical centerline, which should match exit device vertical centerline located on push side of door.
3. Mark and drill 25/64" (10.0mm) holes for mounting posts as shown on template.(Fig.6)
4. Mark and drill 1" (25.4mm) hole for the trim actuator shaft, which mate with the exit device. See exit device instructions for details.(Fig.6)

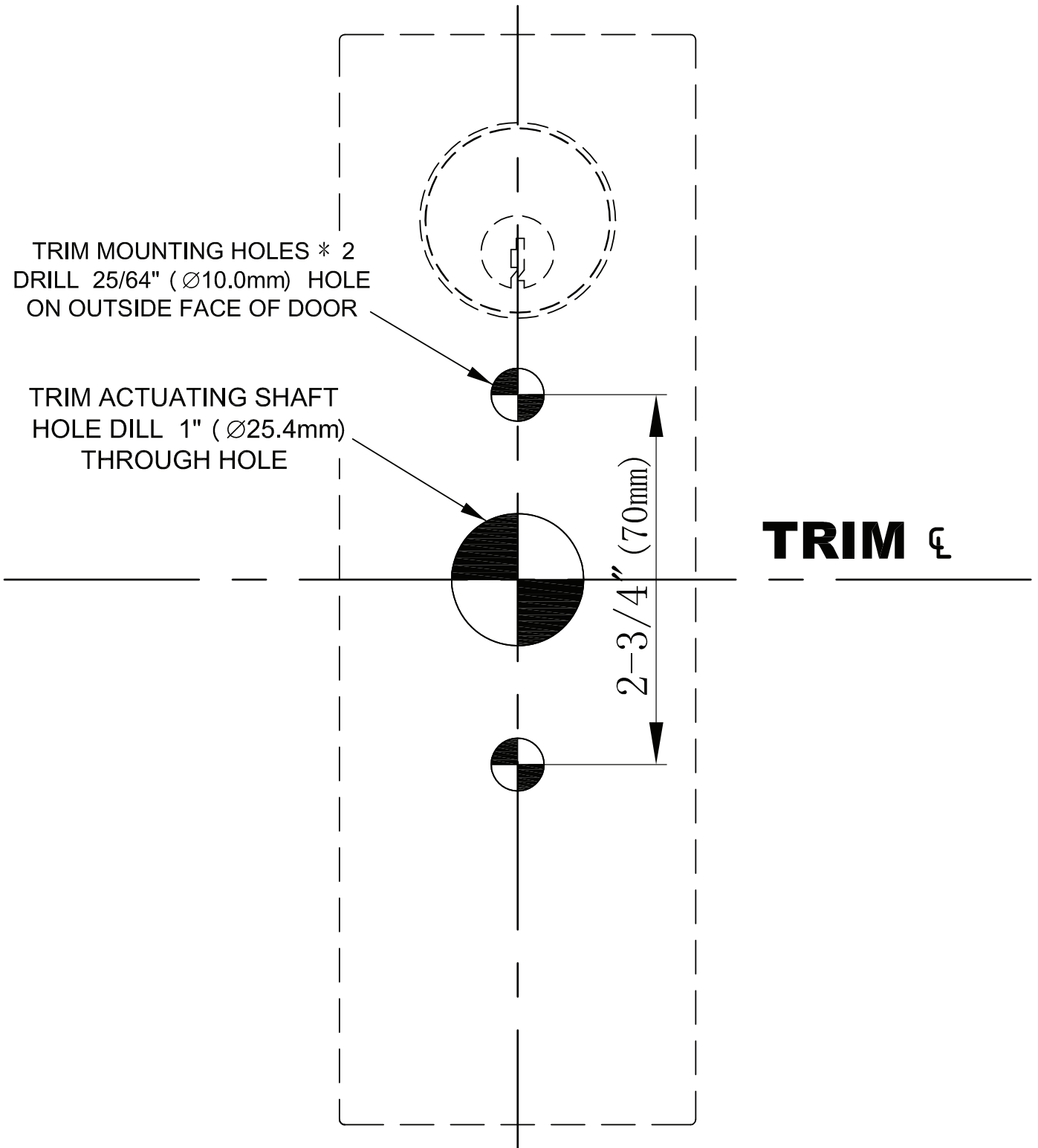


INSTALL ESCUTCHEON TRIM

1. Confirm door thickness 1-3/4"(45mm) or 2-1/4"(60mm), adjust actuating shaft length as (Fig.7 & Fig.8) shown
 2. Insert trim mounting posts and actuating shaft through door.
 3. Mate trim actuating shaft with cam on back of exit device.
 4. Fasten the trim from exit device mounting plate on outside face of door with provided screws.
 5. Test installation by rotating lever handle or key to verify trim activates exit device.
- ※NOTE: Dummy trim is only for pulling door, handle does not rotate.



TEMPLATE FOR ESC3300 ESCUTCHEON LEVER TRIM (1:1)



OUTSIDE FACE OF DOOR