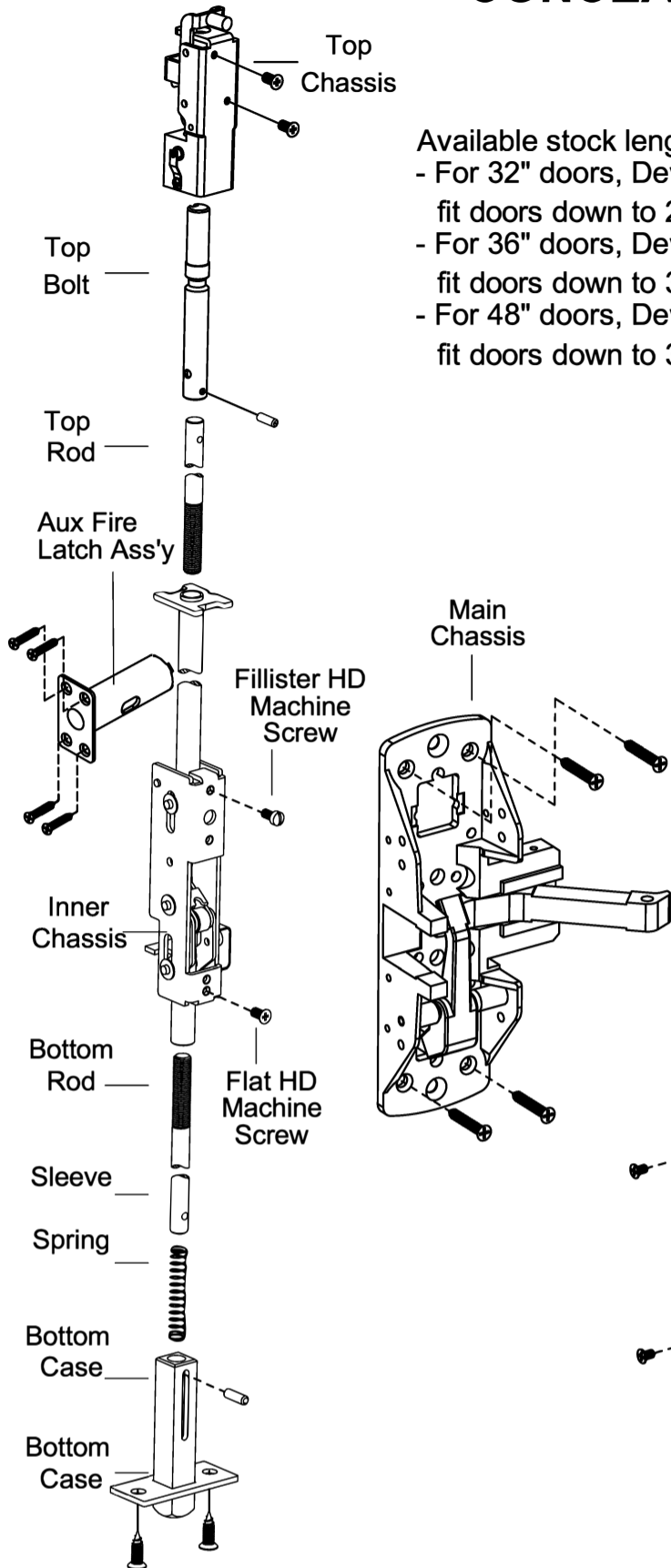
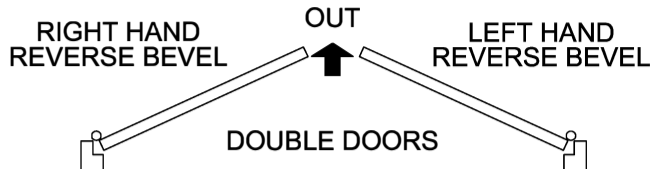


# INSTRUCTIONS FOR INSTALLING FMCVR9800x120 CONCEALED VERTICAL ROD EXIT DEVICE FOR METAL DOOR

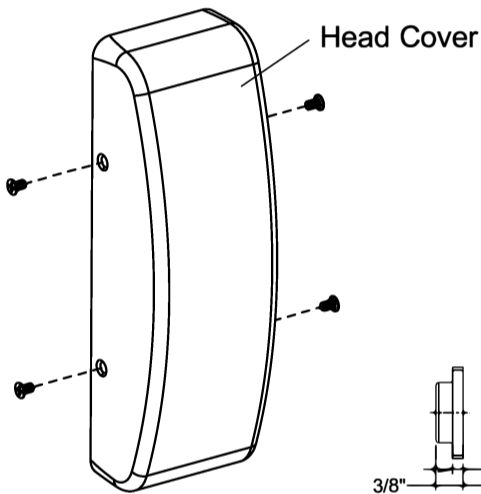
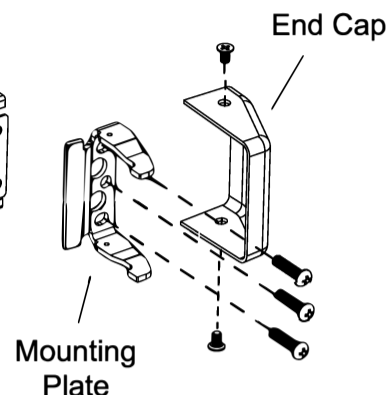
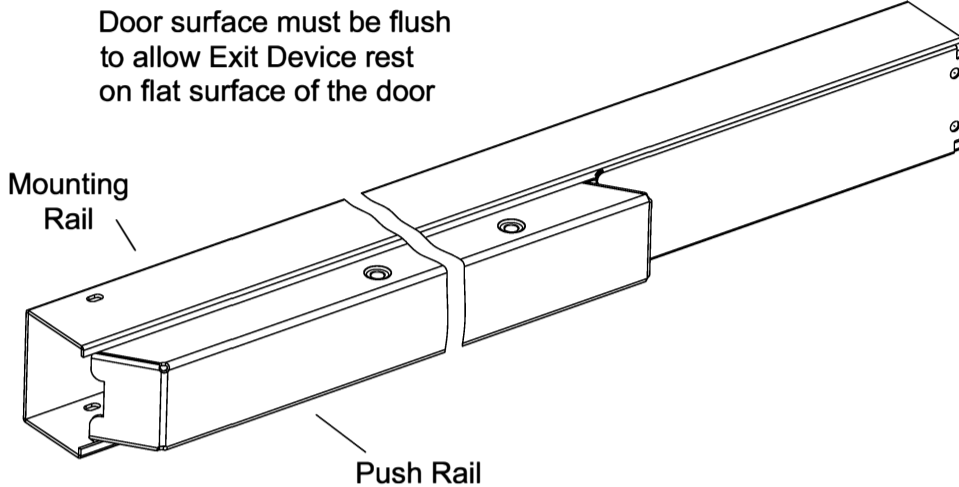


Available stock length  
 - For 32" doors, Device can be cut to fit doors down to 24" wide.  
 - For 36" doors, Device can be cut to fit doors down to 32" wide.  
 - For 48" doors, Device can be cut to fit doors down to 36" wide.

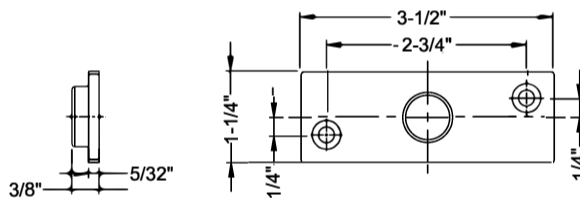
THIS EXIT DEVICE IS HANDED  
 CHECK HAND OF DEVICE AGAINST APPLICATION



Door surface must be flush to allow Exit Device rest on flat surface of the door

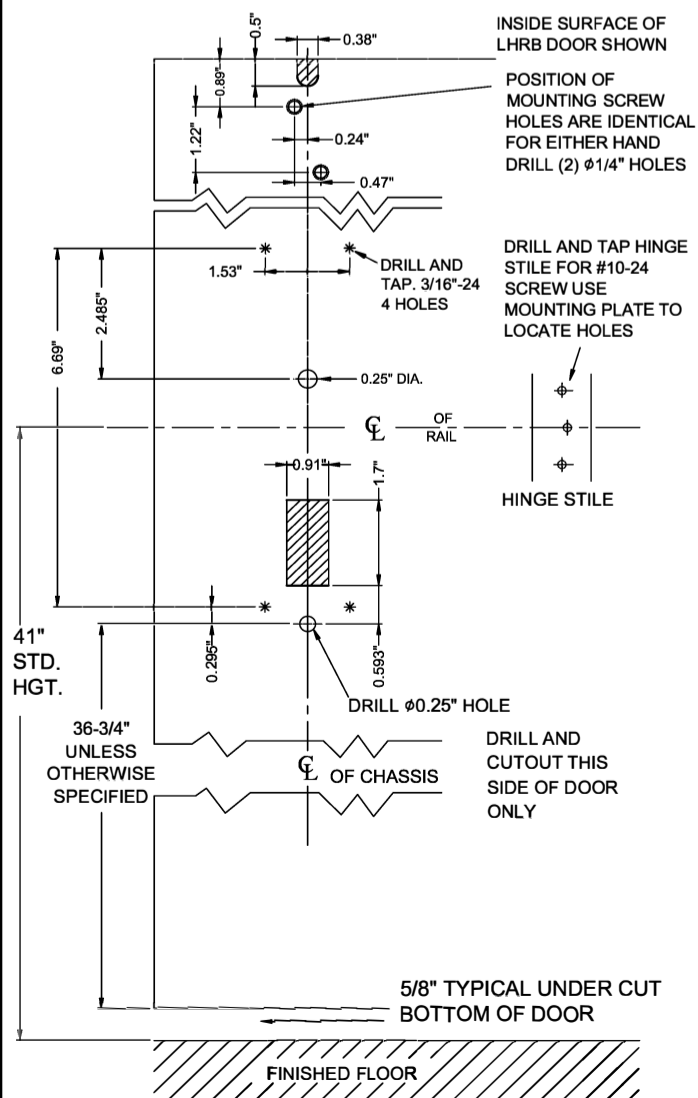


#10-24 FL HD Machine screws  
 or #10x1" FL HD Wood screws

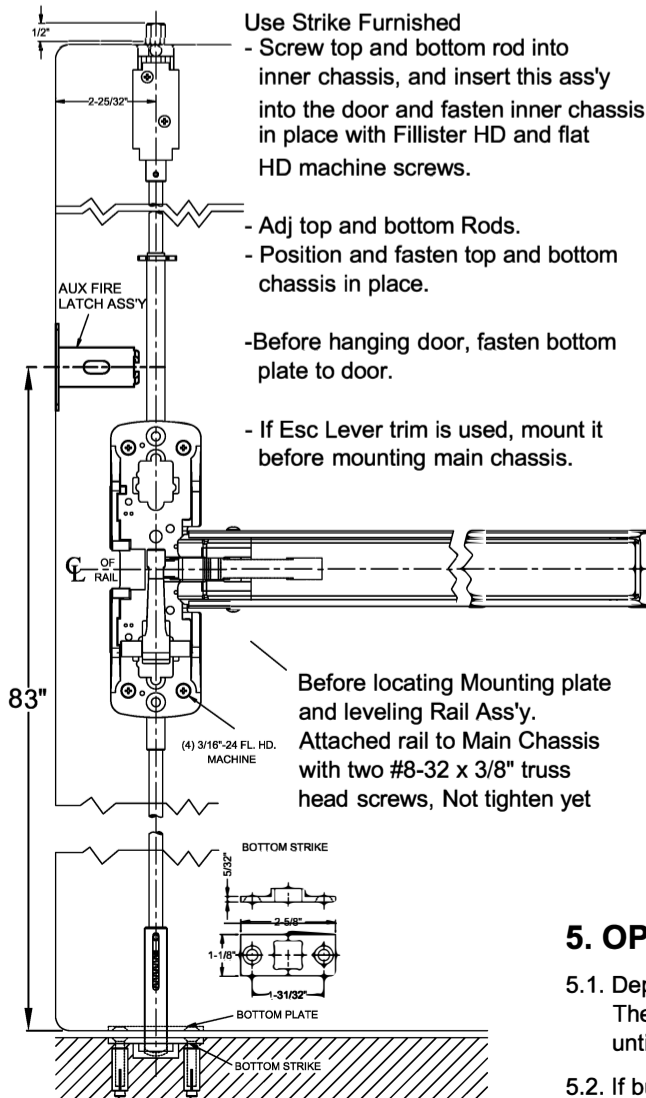


TOP STRIKE

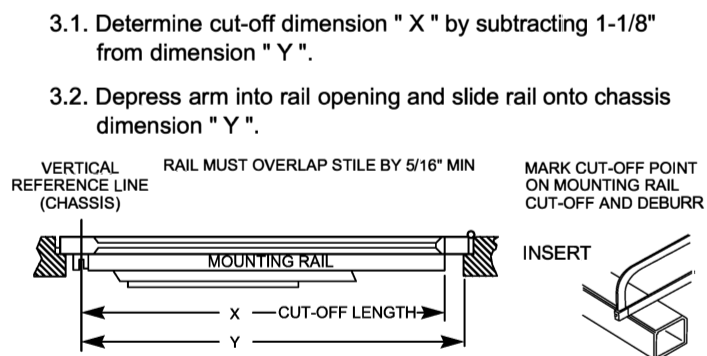
## 1. PREPARE DOOR



## 2. MOUNT ROD & CHASSIS

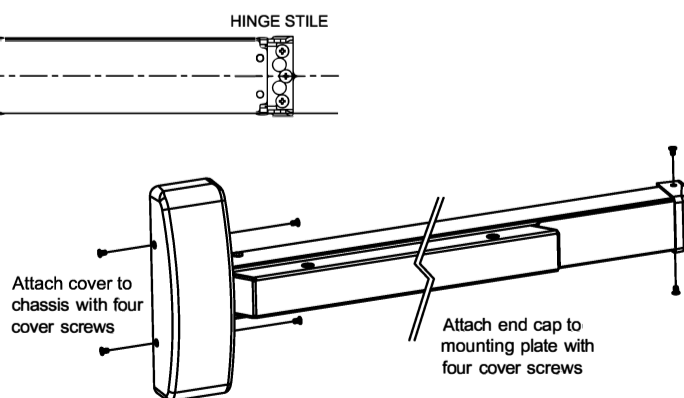


## 3. MOUNT RAIL ASS'Y



## 4. ATTACH COVER

- Attach cover to chassis with four cover screws.



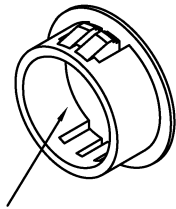
## 5. OPERATION CHECK

- Depress Push rail, bolt should retract into door. The latch retractor button should pop out and hold the bolt retracted until button is depressed.
- If button does not pop out, remove top chassis and screw the top rod in one turn. Replace top chassis and repeat above operation.

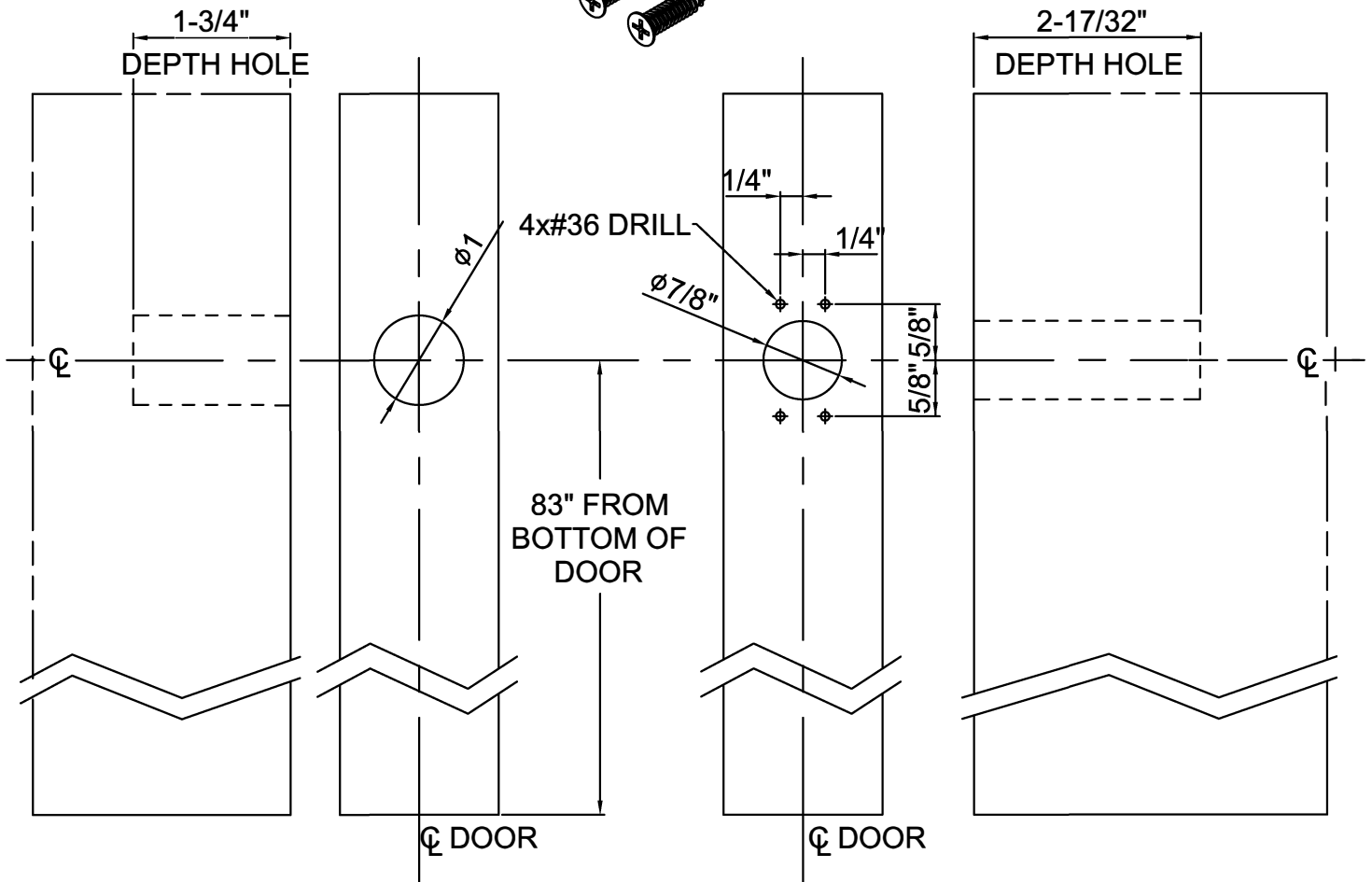
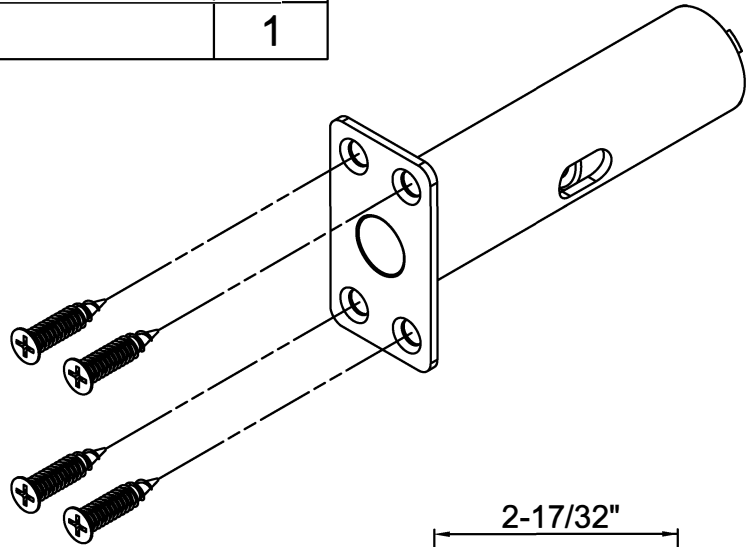
# TEMPLATE

## AUX FIRE LATCH ASSEMBLY FMCVR9800, FWCVR9800, FMCVR7700, FWCVR7700 Fire Vertical Rod Device for 120" Door

DESCRIPTION	QTY.
AUXILIARY FIRE LATCH ASSEMBLY	1
#6X3/6" TYPE AB FLAT HEAD SCREW	4
STRIKE HOLE PLUG	1



STRIKE HOLE PLUG



STRIKE HOLE PLUG  
DOOR LEAF

AUXILIARY FIRE  
LATCH ASSEMBLY  
DOOR LEAF