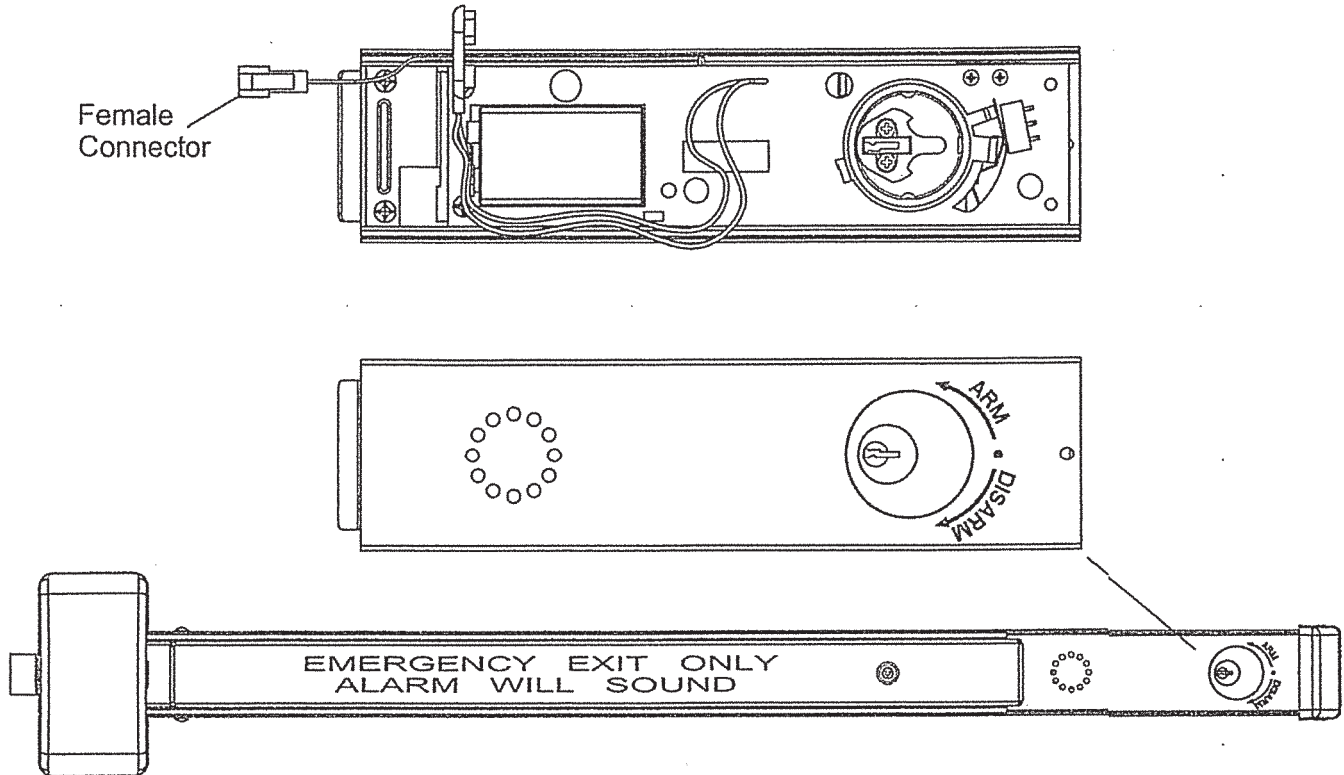


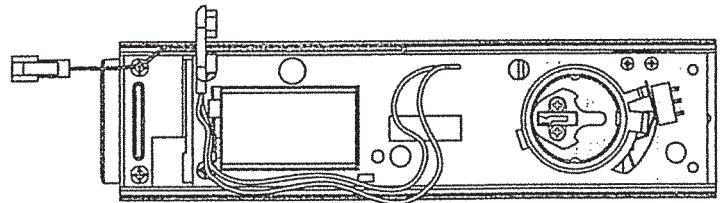
# 2200 Alarm Exit Hardware Installation

## ALRM2200 / FALRM2200



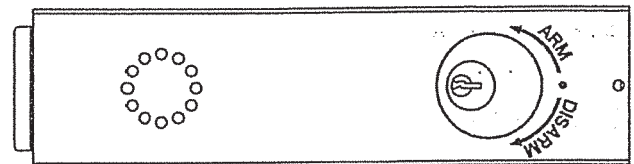
### Rim Type Exit Devices

1. Alrm 2200-36 Alarm rim type 36" door (panic grade).
2. Alrm 2200-48 Alarm rim type 48" door (panic grade).
3. Falrm 2200-36 Alarm rim type 36" door (fire grade).
4. Falrm 2200-48 Alarm rim type 48" door (fire grade).



### Vertical Rod Type Exit Devices

Prefix "Alrm" before part #



### Dimensions

Alarm units has an internal horn. When the push rail is depressed, the horn sound to provide an means of signaling that the door has been opened and violated.

The unit has changeable 2 minute alarm cut off or manual reset. Preset at factory for 2 minute alarm cut off.

Jumper cable is provided to switch to continuous alarm.

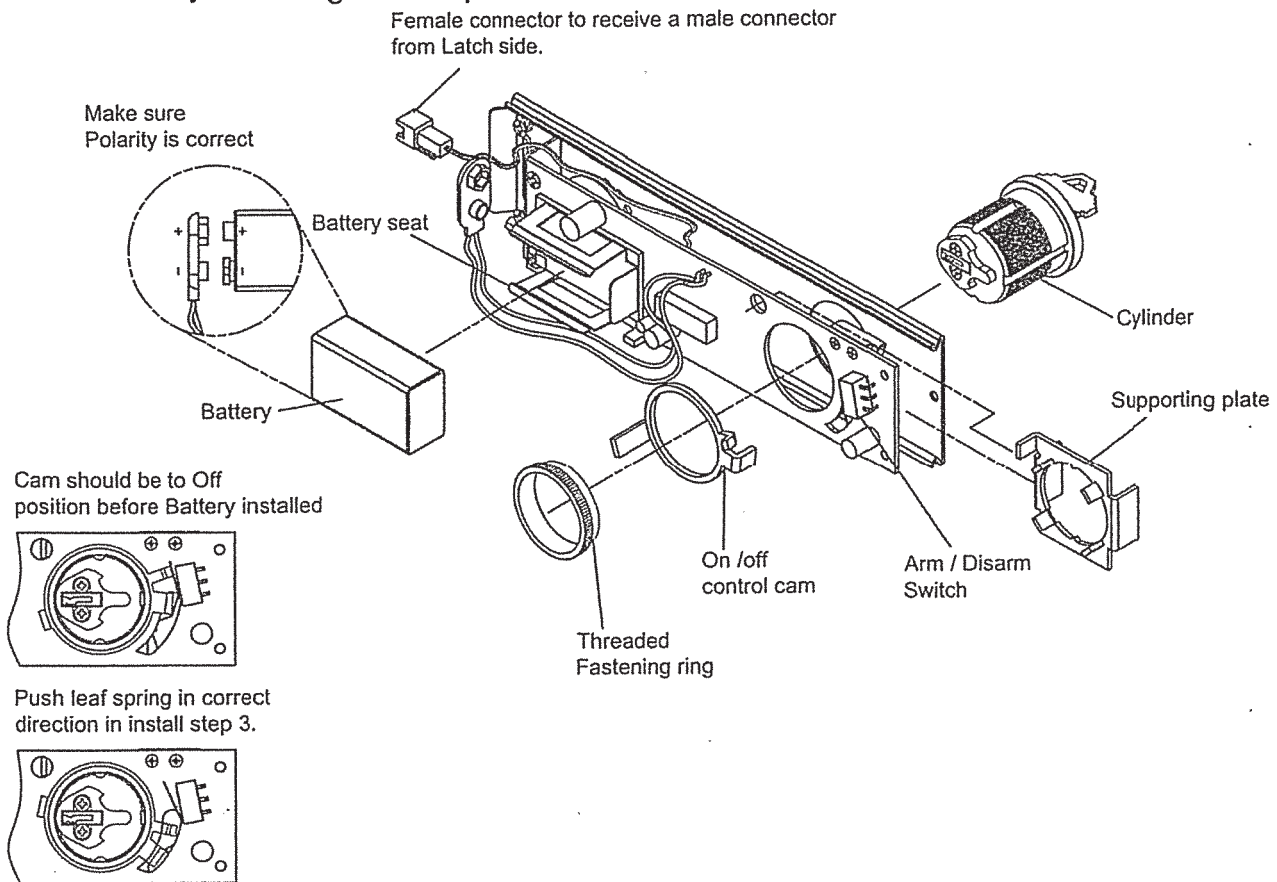
The key switch to turn the alarm off is a standard 1-1/4" cylinder with "C" keyway. The alarm operates on one standard 9 volt transistor battery. when battery is weak the horn will emit an intermittent signal.

Alarmed kit are supplied with one female connector to receive a male connector from latchbolt side, which is operated by a mag reed switch.

Unit includes "emergency exit only alarm will sound" decal for application on door or unit.

# INSTALLATION INSTRUCTION FOR ALRM2200 & 9800 SERIES ALARMING DEVICE

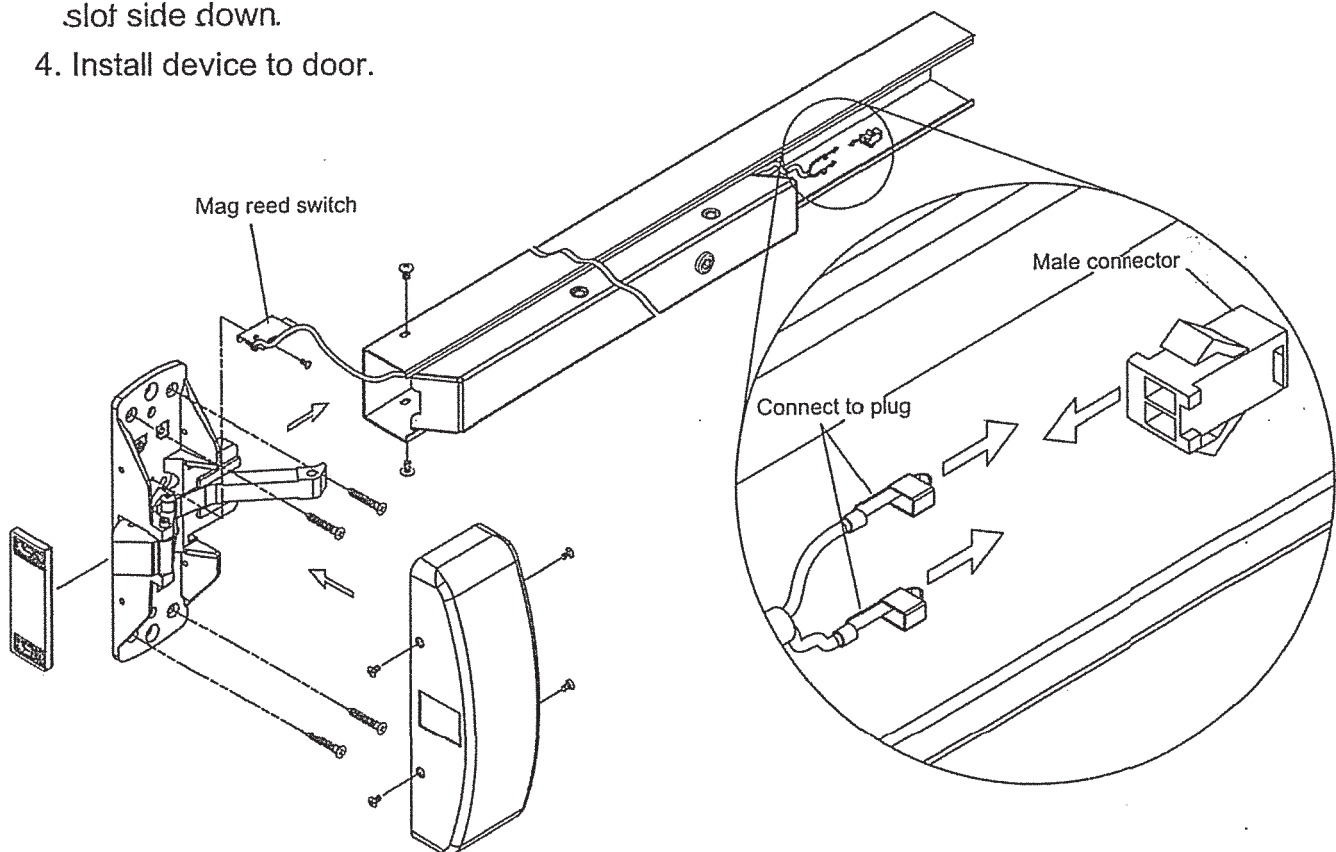
1. Assembly Alarming kit with parts as shown below:



2. Cut the Device and/or Sliding shim (end opposite Cyl hole) to proper length.

3. Connector from latch side, connector with hook side up, to plug with slot side down.

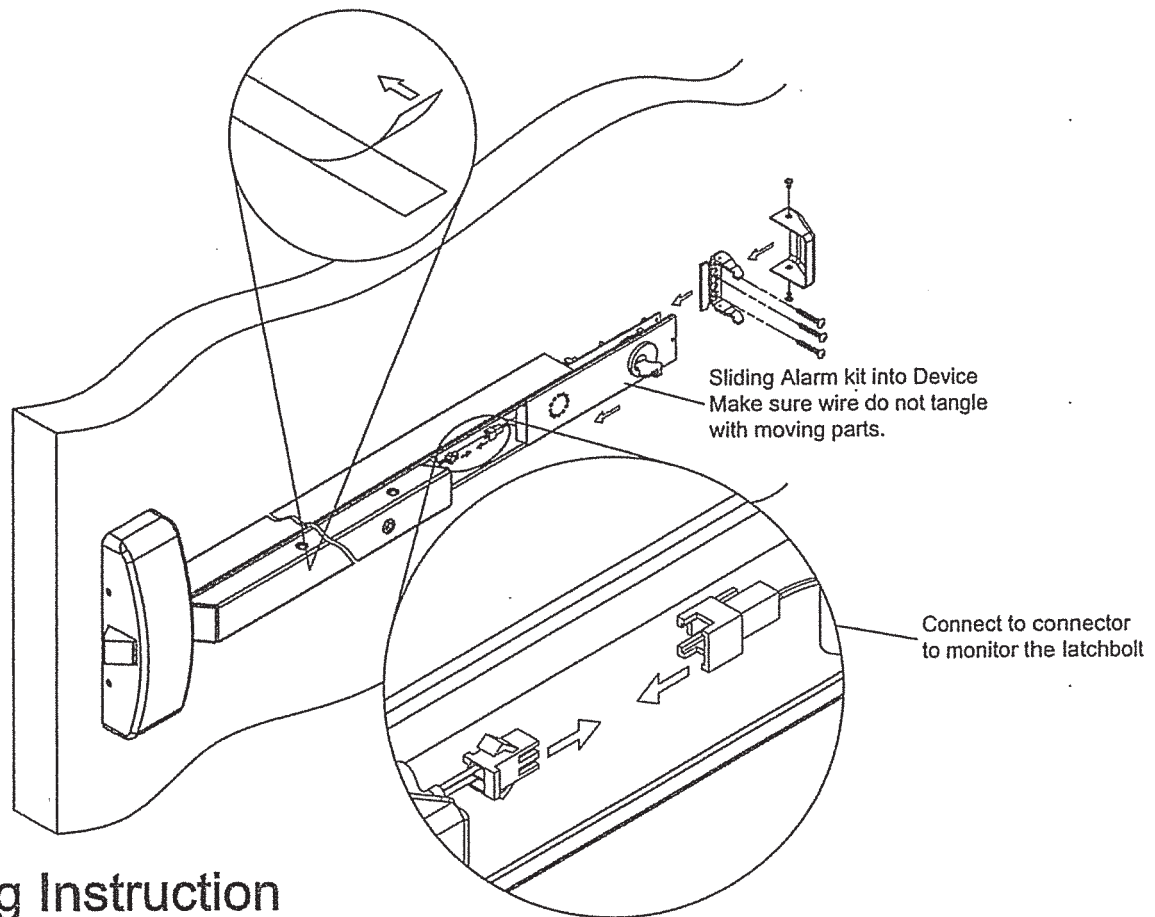
4. Install device to door.



5. Move the Exit Device end cover.

Then sliding in the Alarm kit, and connector to the male connector to monitor the latchbolt.

6. Mount sign by peeling off the protective backing and sticking onto Push Rail.

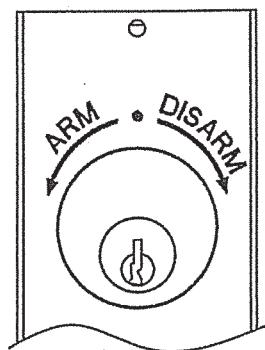


## Operating Instruction

1. Insert key into Cyl and arm the unit by turning key Anti-clockwise to arm.
2. Depress push rail, alarm should sound immediately.
3. Turn key clockwise to Disarm.

## Operating Instruction

1. Alarm unit has an internal horn. When rail pushed, alarm will sound
2. The unit has changeable 2 minutes alarm cut off or manual reset.  
Preset at factory for 2 minutes alarm cut off.
3. Jumper provided to switch to continuous alarm, then intermittently on 5 seconds/ 5seconds off .
4. Key switch to turn off the alarm. 1-1/4" cyl with C keyway. Clockwise turn Disarm, silence or deactivates the alarm. And anti-clockwise turn Arm.



5. Alarm operate with a standard 9-volt transistor battery.

6. When low battery, a brief signal is emitted intermittently.

7. Alarm unit supplied with supplied with two switches. one monitors the push rail, and the other monitors the latchbolt for full proof security.

8. Unit includes Red "Emergency Exit only Alarm will Sound "decal for application on door or unit.