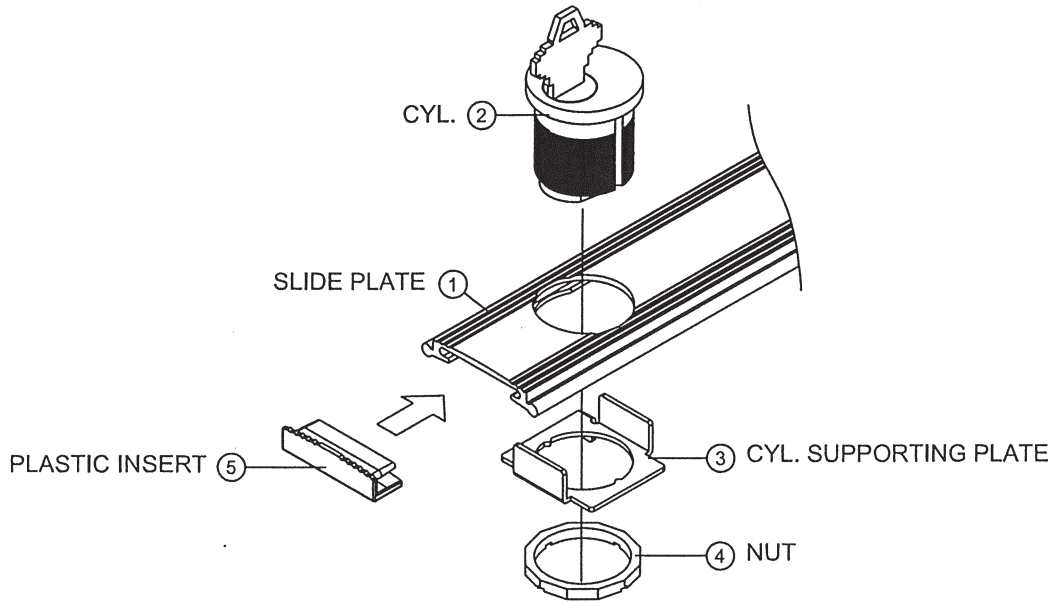
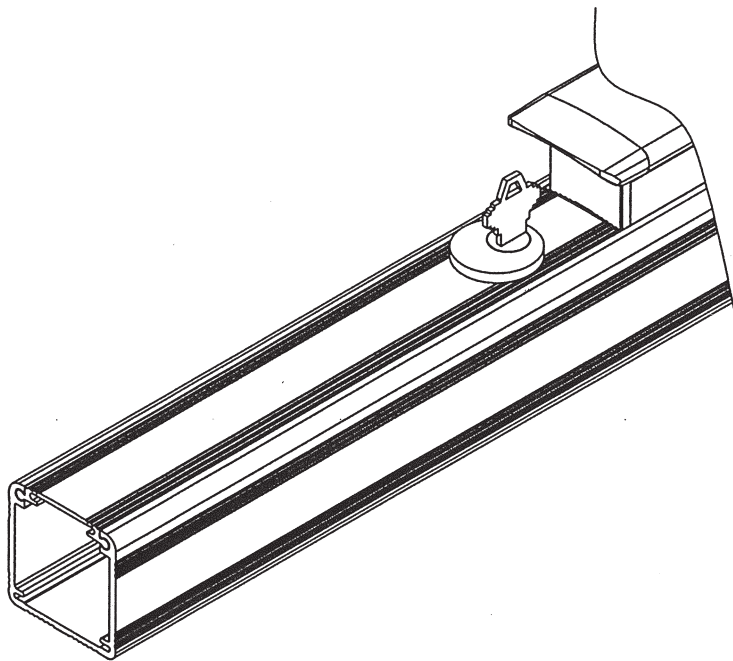


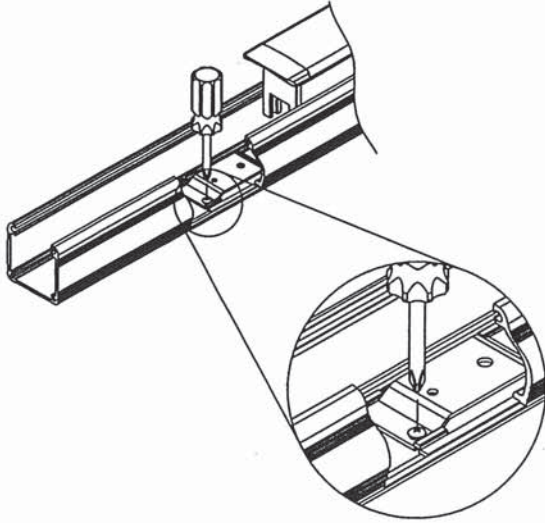
## CYL DOGGING KIT EXPLODED VIEW



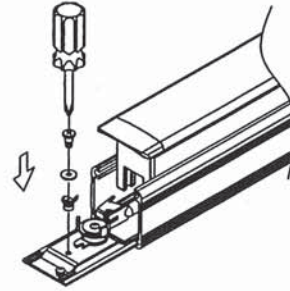
## CYL DOGGING KIT ASSEMBLED



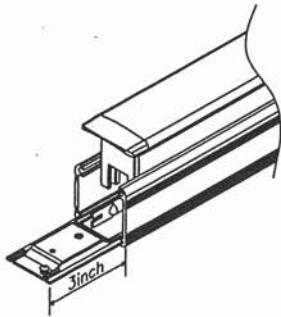
1. UNFASTENED THE SCREW, THAT SECURED THE DOGGING KIT.



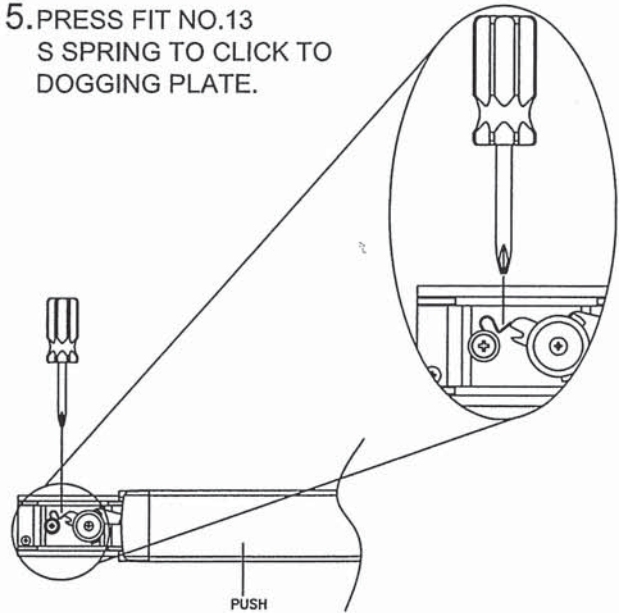
4. PLACE NO.12 SPRING, NO.11 WASHER, AND SECURED BY NO.10 BOLT.



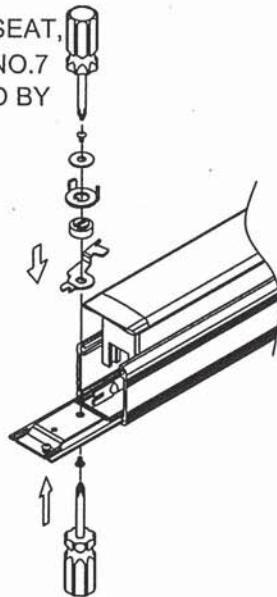
2. SLIDE OUT THE DOGGING KIT 3" OUT OF MOUNTING RAIL.



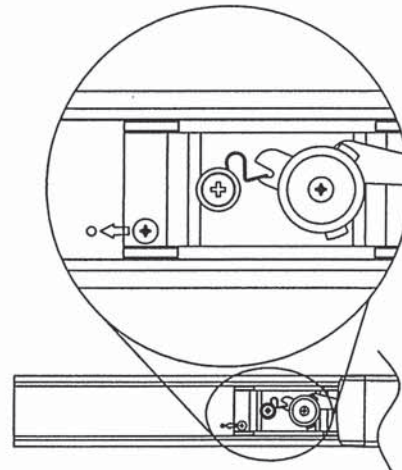
5. PRESS FIT NO.13 S SPRING TO CLICK TO DOGGING PLATE.



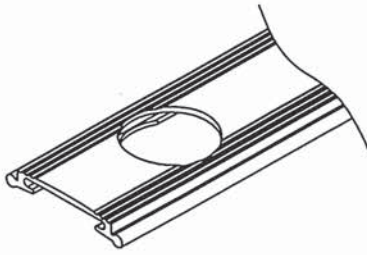
3. PLACE NO.13 DOGGING PLATE, NO.9 SECURED SEAT, NO.8 TURN PLATE AND NO.7 WASHER, AND SECURED BY NO.6 SCREW.



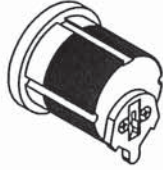
6. RE-SECURED THE CYL. DOGGING KIT TO THE MOUNTING RAIL.



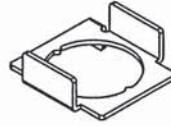
# PARTS NUMBER



① SLIDE PLATE



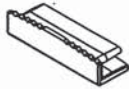
② CYL.



③ CYL. SUPPORTING PLATE



④ NUT



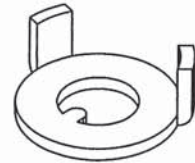
⑤ PLASTIC INSERT



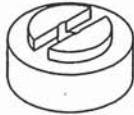
⑥ SCREWS



⑦ WASHER



⑧ TURN PLATE



⑨ SECURED SEAT



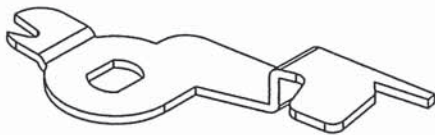
⑩ FASTENER FOR S SPRING



⑪ WASHER FOR S SPRING



⑫ S SPRING

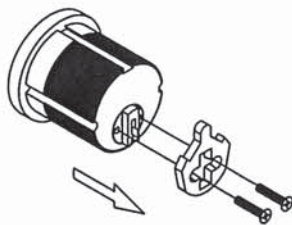


⑬ DOFFING PLATE

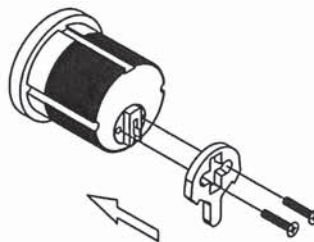


⑭ CAM

# CAM ASS'Y



UNSCREW SHORT CAM



RE-SCREW LONG CAM

