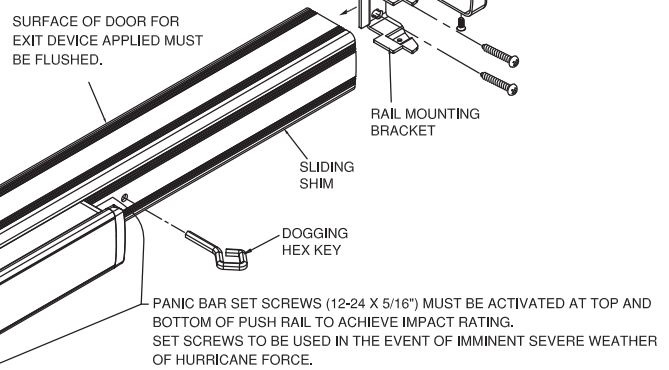
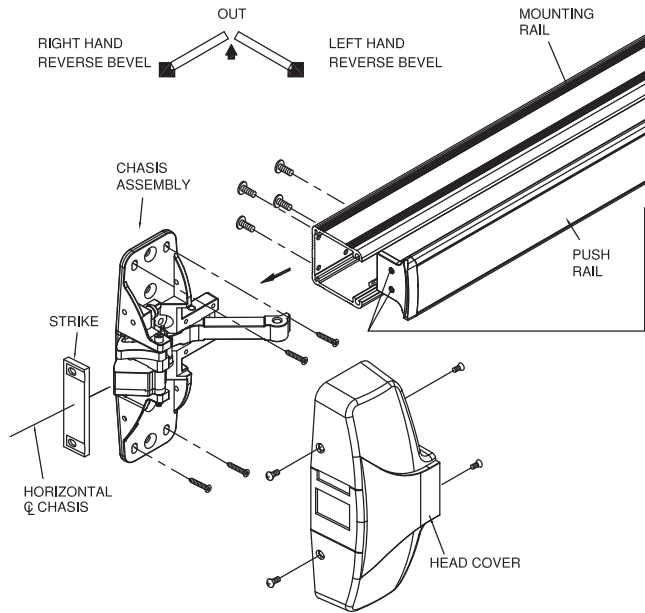


INSTALLATION INSTRUCTION FOR 7700 SERIES PANIC EXIT DEVICE



BEFORE INSTALLING DEVICE, PLEASE CHECK :

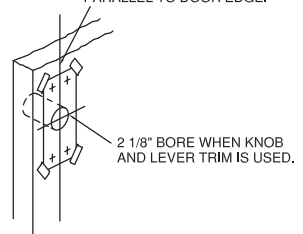
1. IF DOOR FITTED AND HUNG.
2. SIZE OF EXIT DEVICE, FUNCTION AND DESIGN...
 - 2.1. 36" DOORS, CAN BE CUT TO FIT DOORS DOWN TO 30" WIDE.
 - 2.2. 48" DOORS, CAN BE CUT TO FIT DOORS DOWN TO 36" WIDE.
 - 2.3. HAND OF DEVICE AGAINST APPLICATION.



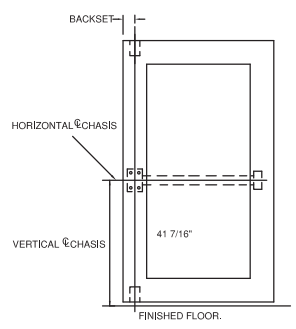
1. PREPARE DOOR

- 1.1 FOR 2 1/8" BORE PREP.
POSITION TEMPLATE OVER EXISTING HOLE AND MARK FOR TWO CHASIS MOUNTING SCREW HOLES.

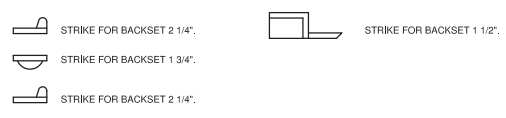
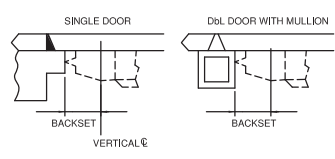
ENSURE VERTICAL CHASIS PARALLEL TO DOOR EDGE.



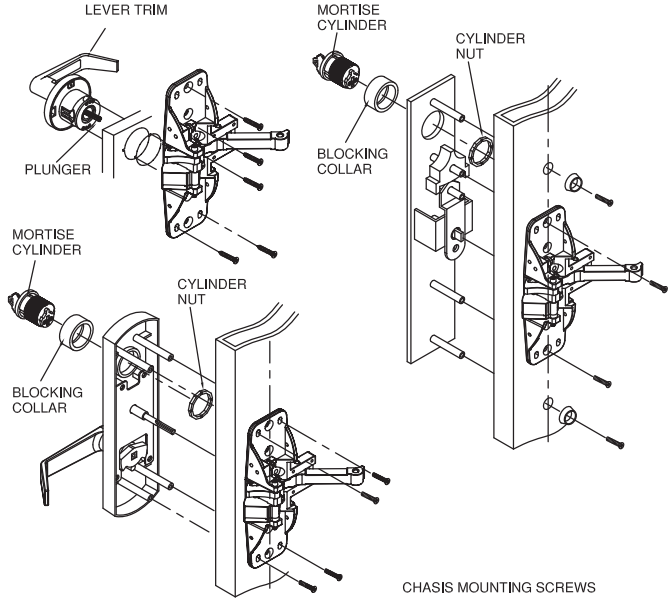
- 1.2 FOR DOOR W/O BORE PREP, MARK VERTICAL CHASIS AND HORIZONTAL CHASIS USING DIMENSIONS BELOW. MOUNTING SCREW HOLES.



IDENTIFY TYPE OF INSTALLATION TO DETERMINE LOCATION OF VERTICAL CHASIS

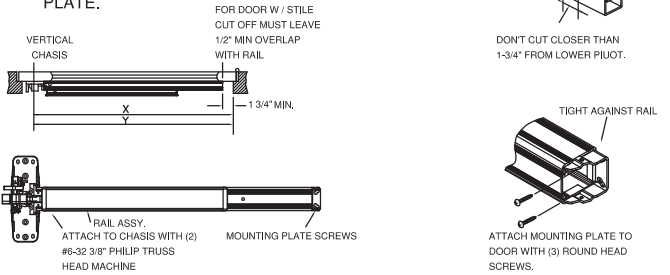


2. APPLY HARDWARE



3. APPLY RAIL ASSEMBLY

- 3.1 CHECK THE SIZE OF DEVICE, IF CUTTING TO LENGTH IS REQUIRED.
- 3.2 DETERMINE CUT OFF LENGTH "X" BY SUBTRACTING 1-3/4" FROM "Y". MARK CUT OFF POINT ON MOUNTING RAIL.
- 3.3 DEPRESS ARM INTO RAIL OPENING AND SLIDE RAIL ONTO CHASIS. LEVEL RAIL AND FASTEN CHASIS AND MOUNTING PLATE.



4. APPLY COVER AND STRIKES

