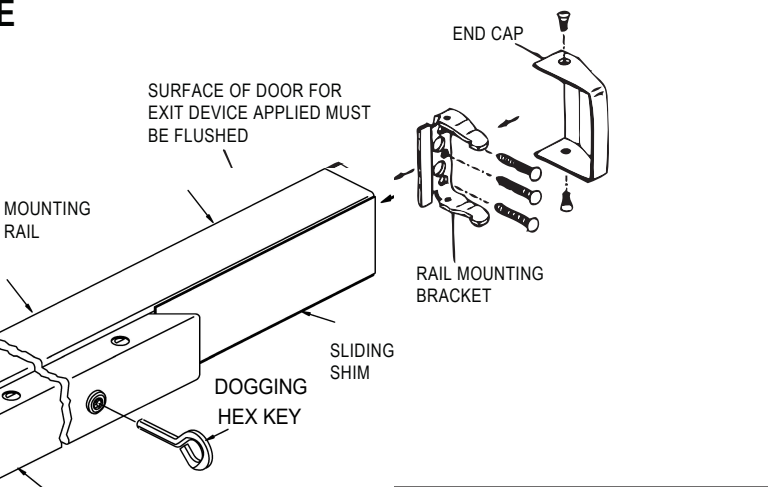
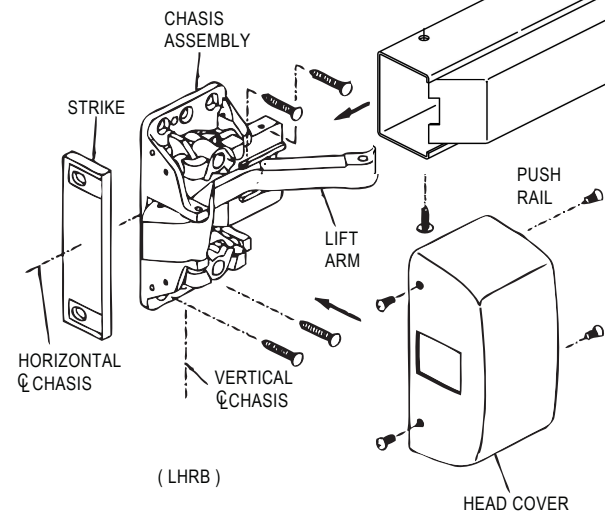
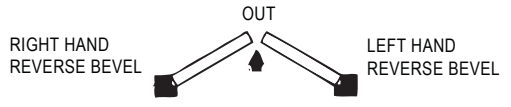


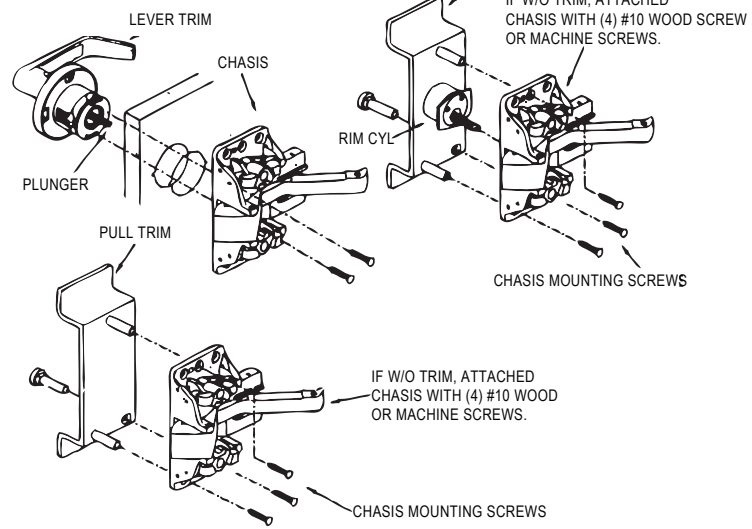
INSTALLATION INSTRUCTION FOR A22EO SERIES RIM EXIT DEVICE

BEFORE INSTALLING DEVICE, PLEASE CHECK:

- IF DOOR FITTED AND HUNG.
- SIZE OF EXIT DEVICE, FUNCTION AND DESIGN...
- 2.1 36" DOORS, CAN BE CUT TO FIT DOORS DOWN TO 30" WIFE.
- 2.2 48" DOORS, CAN BE CUT TO FIT DOORS DOWN TO 36" WIFE.
- 2.3 HAND OF DEVICE AGAINST APPLICATION.

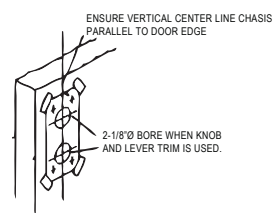


2. APPLY TRIM + CHASSIS

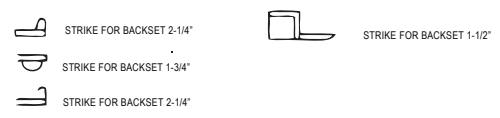
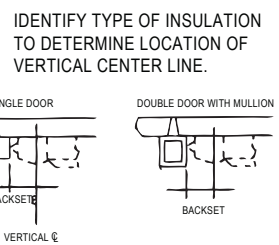
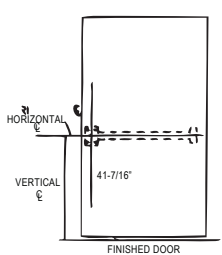


1. PREPARE DOOR

- FOR 2-1/8" Ø BORE PREP POSITION TEMPLATE OVER EXISTING HOLE AND MARK FOR TWO CHASSIS MOUNTING SREW HOLES.

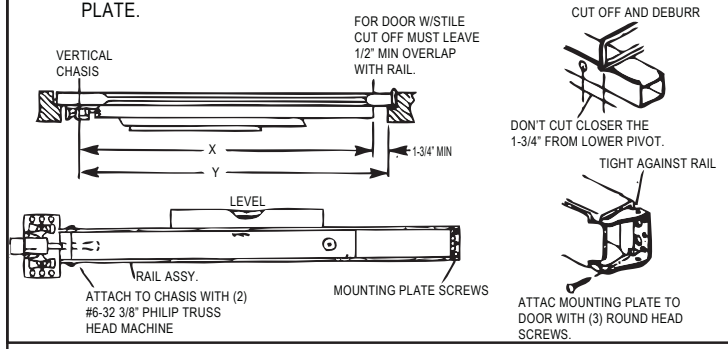


- FOR DOOR W/O BORE PREP, MARK VERTICAL CENTER LINE CHASSIS AND HORIZONTAL CENTER LINE CHASSIS USING DIMENSION BELOW



3. APPLY RAIL ASSEMBLY

- CHASSIS THE SIZE OF DEVICE, IF CUTTING TO LENGTH IS REQUIRED.
- DETERMINE CUT OFF LENGTH "X" BY SUBTRACTING 1-3/4" FROM "Y". MARK CUT OFF POINT ON MOUNTING RAIL.
- DEPRESS ARM INTO RAIL OPENING AND SLIDE RAIL ONTO CHASSIS. LEVEL RAIL AND FASTEN CHASSIS AND MOUNTING PLATE.



4. APPLY COVER AND STRIKES

