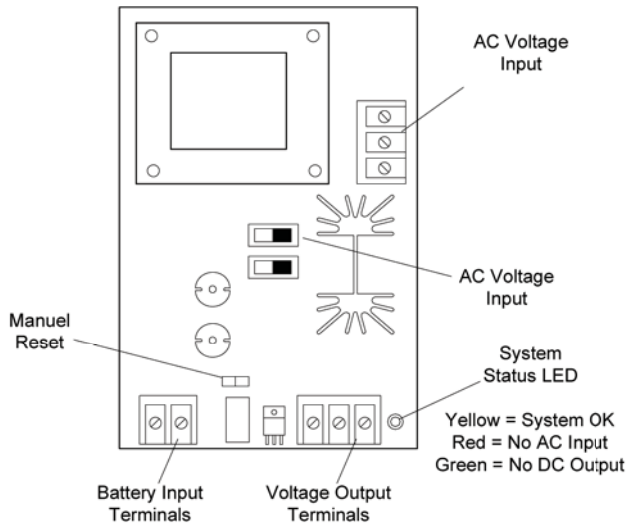




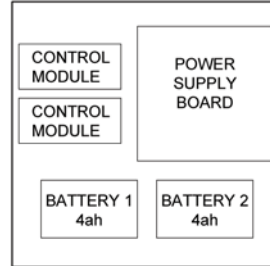
CAL-ROYAL PRODUCTS, INC.
 6605 Flotilla St., Commerce, CA 90040
 Tel. (323) 888-6601

**SPECIAL APPLICATIONS POWER SUPPLY
 INSTALLATION INSTRUCTIONS**
MODEL CR602RF

MODEL 602RF

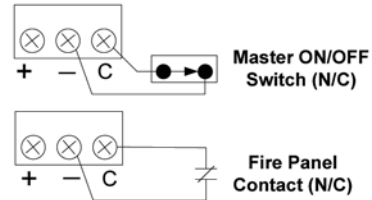


COMPONENT LOCATIONS



STANDARD BOX

MAIN SYSTEM ON-OFF
 OR
 FIRE PANEL CONNECTION



Min. Switch
 OR
 Contact Ratings
 100mA @ 30vdc

Figure C

POWER SUPPLY SPECIFICATIONS

Input Voltage: 115/230 VAC @ 60hz
 Input Current: 0.8 amps Max.

Output Voltage: 12/24VDC (Special Applications)
 Burglary Use:

Output Voltage Ranges:
 12 V Operation: 9.2 – 12.0 VDC
 24 V Operation: 21.2 – 24.0 VDC

Output Current: 1.0 amps
 Ripple Voltage: 0.05 Volts Max

Battery Charger Max Current: 0.25 amps
 Maximum recommended battery size: 4ah
 (Replace batteries every three years)

To determine standby battery capacity, refer to
 Batter Discharge table (INST-BDT).

Compatible UL listed Fire Devices:
 Smoke detector manufactured by ESL, Model 521B,
 521BXT with Model 506 module.

Suitable Uses:
 Electric Lock Power Supply
 Access Control Power Supply
 Burglar Alarm System Power Supply
 Fire Protective Signaling Service

NOT INTENDED TO POWER A LOCAL
 BURGLAR ALARM INDICATING DEVICE.

TEST UNIT YEARLY

