

## CLOSER ADJUSTMENT

PULL SIDE

INSIDE OF THE DOOR    INSIDE OF THE DOOR

LEFT HAND DOOR    RIGHT HAND DOOR

PUSH SIDE

**REGULATING DOOR SWEEP AND LATCHING SPEED**

◆ TURN SPEED REGULATING VALVE CLOCKWISE TO SLOW DOWN OR COUNTER CLOCKWISE TO SPEED UP DOOR MOVEMENT.

FASTER ← SLOWER      FASTER ← SLOWER

THIS VALVE CONTROLS DOOR SWEEP SPEED.      THIS VALVE CONTROLS DOOR LATCHING SPEED.

POSITION OF ARMS

RIGHT HAND DOOR      LEFT HAND DOOR

LOCK NUT      LOCK NUT

FOREARM      FOREARM

POSITION OF ARM WHEN ASSEMBLED TO SPINDLE      POSITION OF ARM WHEN ASSEMBLED TO SPINDLE

**CLOSING SPEED CONTROL**

**CAUTION:**  
DO NOT BACK VALVES OUT OF CLOSER OR A LEAK WILL RESULT.

LATCH

15°

STANDARD CLOSING CYCLE

SWEEP



PLEASE READ THIS INSTRUCTION CAREFULLY BEFORE INSTALLATION;  
WE **WON'T** BE RESPONSIBLE FOR ANY RESULTS WHICH ARE CAUSED  
BY IMPROPER INSTALLATION.

IMPROPER INSTALLATION OR REGULATION MAY RESULT IN PERSONAL INJURY  
OR PROPERTY DAMAGE. FOLLOW ALL INSTRUCTIONS CAREFULLY PLEASE.

## REGULAR ARM APPLICATION (PULL SIDE)

DIM.A      4(102)      1-3/4 (45)

1-3/4 (45)

13/16 (20)

3/4 (19)

SPEED REGULATING VALVES

6-1/2 (165)

ARM SHOE

SCREW AND WASHER

FRAME

PINION CAP

DOOR

OPENING	DIM.A
TO 120°	4-1/8 (105)
TO 180°	6-3/16 (157)

RIGHT HAND DOOR ILLUSTRATED  
SAME DIMENSIONS APPLY TO LEFT HAND DOOR.  
MEASURED FROM HINGE CENTER.  
DIMENSIONS ARE IN INCHES(MM)  
NOT TO SCALE

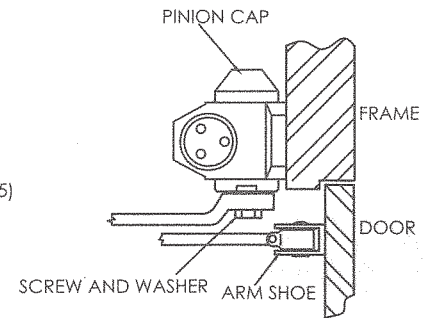
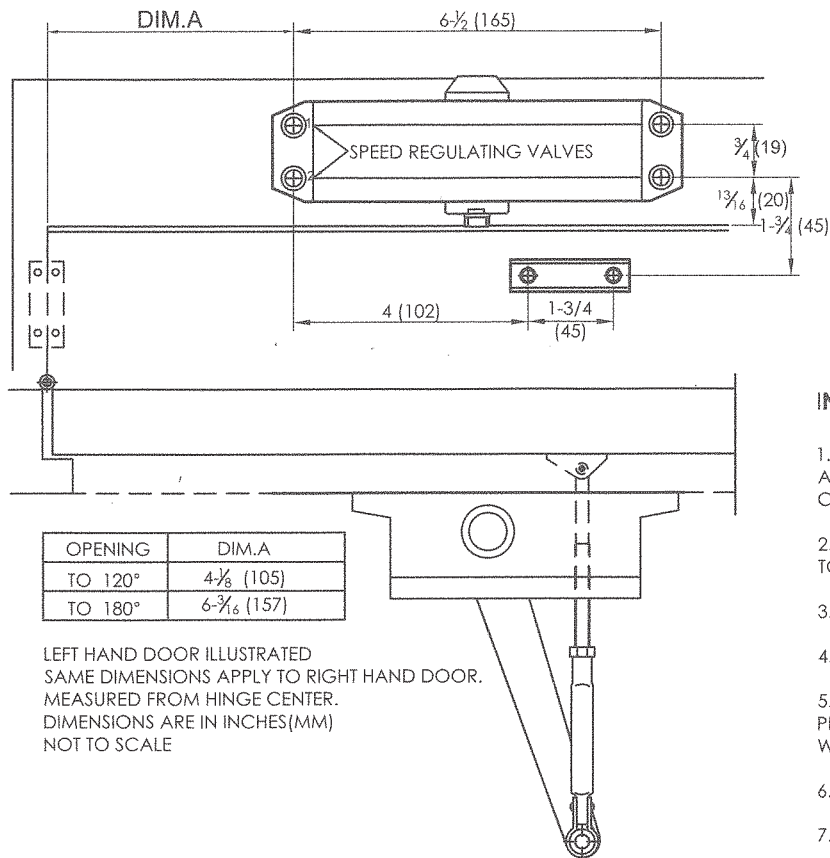
**INSTALLATION STEPS:**

1. SELECT DOOR OPENING ANGLE USING DIMENSIONS AS SHOWN. MARK 4 HOLES ON DOOR FOR CLOSER AND 2 HOLES ON FRAME FACE FOR ARM SHOE.
2. INSTALL CLOSER WITH SPEED REGULATING VALVES TOWARDS HINGE.
3. INSTALL MAIN ARM ONTO CLOSER PINION SHAFT.
4. MOUNT FOREARM WITH ARM SHOE TO FRAME FACE.
5. ADJUST LENGTH OF FOREARM TO BE PERPENDICULAR (AT A 90° ANGLE) TO THE DOOR, WHEN CONNECTED TO THE MAIN ARM.
6. SNAP PINION CAP ONTO PINION SHAFT BY HAND
7. ADJUST CLOSER SPEED.

# SM430-P DOOR CLOSER INSTALLATION INSTRUCTIONS

DOOR WEIGHT: 99-143 LBS (45-65 KG)

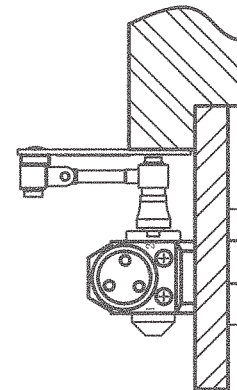
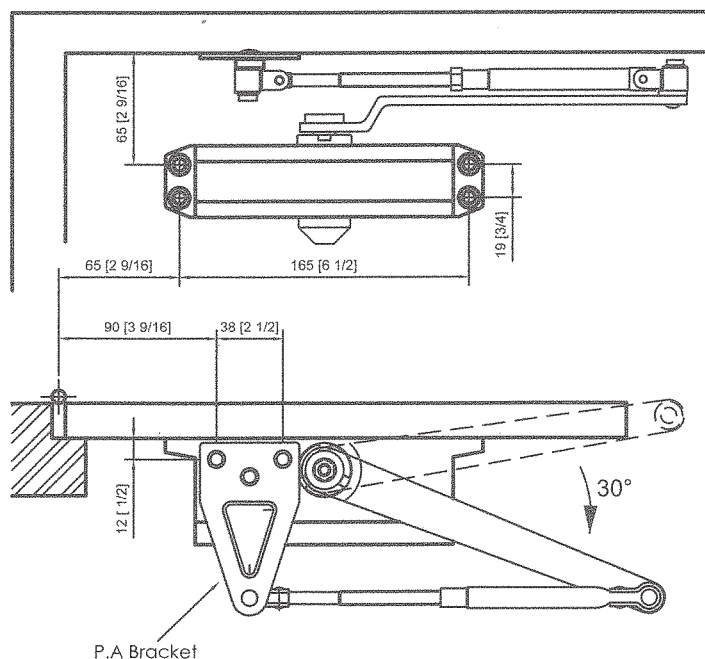
## TOP JAMB APPLICATION (PUSH SIDE)



### INSTALLATION STEPS:

1. SELECT DOOR OPENING ANGLE USING DIMENSIONS AS SHOWN. MARK 4 HOLES ON FRAME FACE FOR CLOSER AND 2 HOLES ON DOOR FOR ARM SHOE.
2. INSTALL CLOSER WITH SPEED REGULATING VALVES TOWARDS HINGE.
3. INSTALL MAIN ARM ONTO CLOSER PINION SHAFT.
4. MOUNT FOREARM WITH ARM SHOE TO DOOR.
5. ADJUST LENGTH OF FOREARM TO BE PERPENDICULAR (AT A 90° ANGLE) TO THE DOOR, WHEN CONNECTED TO THE MAIN ARM.
6. SNAP PINION CAP ONTO PINION SHAFT BY HAND.
7. ADJUST CLOSER SPEED.

## PARALLEL ARM APPLICATION (PUSH SIDE)



### INSTALLATION STEPS:

1. MARK SIX (4) HOLES ON DOOR FOR DOOR CLOSER AND THREE (3) HOLES UNDERSIDE OF FRAME FOR BRACKET.
2. DRILL PILOT HOLES IN DOOR AND FRAME SEPARATELY.
3. MOUNT CLOSER ON DOOR USING SCREWS PROVIDED. ADJUSTABLE VALVES MUST BE BACK HINGE EDGE.
4. INSTALL PARALLEL ARM BRACKET TO FRAME USING SCREWS PROVIDED.
5. USING A WRENCH ON THE SHAFT AT BOTTOM OF CLOSER, ROTATE SHAFT APPROXIMATELY 30° ANGLES TOWARD HINGE EDGE OF DOOR. HOLD AND PLACE MAIN ARM OF SHAFT ON TOP OF CLOSER. TIGHTEN ARM SCREW WITH LOCKWASHER SECURELY.
6. REMOVE ARM SHOE FROM THE FOREARM AND DISCARD (ARM SHOE IS NOT USED FOR PARALLEL INSTALLATION) AND TIGHTEN SCREW SECURELY.
7. ADJUST LENGTH OF ADJUSTABLE FOREARM SO THAT ADJUSTABLE FOREARM IS PARALLEL TO FRAME.
8. SNAP PINION CAP OVER SHAFT AT BOTTOM CLOSER
9. ADJUST CLOSING SPEED.