

SCALE: 1:1 (PRINT TO SIZE)

IMPORTANT: Use soft cloth, mild soap & water when cleaning. Do not use abrasive cleaners or polishes.

**CAL-ROYAL**  
P R O D U C T S , I N C .

6605 Flotilla St. Phone: (323)888-6601 Email: sales@cal-royal.com  
Commerce CA 90040 USA Fax: (323)888-6699 Web: www.cal-royal.com

## Installation Guide for Modern House Number Elevated or Flush mounted style.

- Step 1. Arrange all needed materials and set aside contents of the package (house numbers, template, raw steel studs and spacers). Gather tools needed (Level & plumb tools, tape measure, tape, adhesive, hammer, rubber mallet, drill and drill bit.
- Step 2. Place and tape the provided template in desired location, Use a level to align template. Center punch mounting holes as indicated on the template, then remove templates from wall. Drill the holes - use 7/32" drill bit. FIGURE A
- Step 3. Insert the steel studs to its corresponding holes at the back of the Numbers. FIGURE B
- Step 4. If Numbers are designed to elevate from surface, insert the spacers through the studs. If Numbers are flushed against the surface then spacers are not needed, proceed to step 5. FIGURE C.
- Step 5. Confirm the fit of the studs, then remove.
- Step 6. Fill the holes with caulk or epoxy then push the studs through the holes. Light tapping may be required. Use a piece of cloth to cover the surface of the NUMBER when tapping. Remove and wipe excess caulk or epoxy. Apply tape to the numbers if needed so it doesn't fall off from the wall, until caulk or epoxy is dry. FIGURE D.

FIGURE A

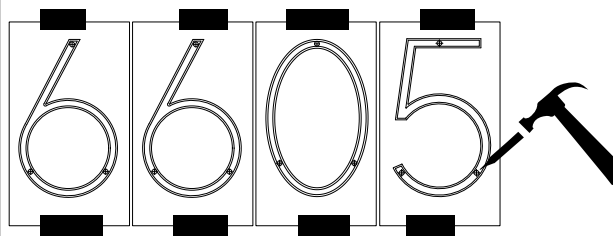


FIGURE B

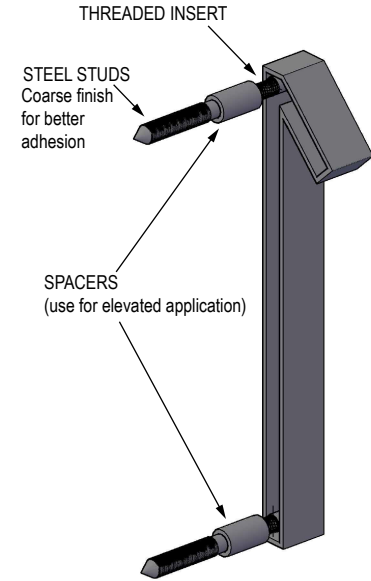


FIGURE C

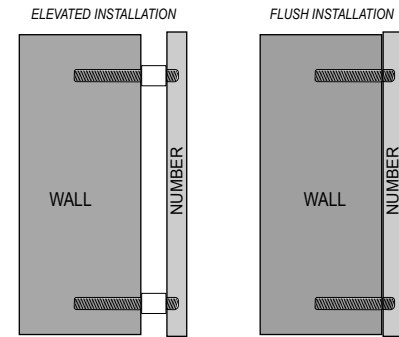
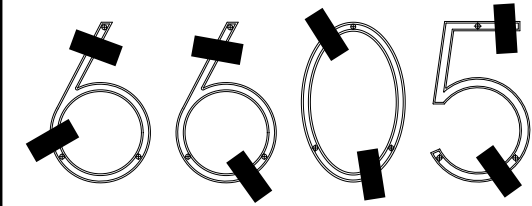


FIGURE D



PACKAGING INCLUDES: NUMBER (1)  
STEEL STUDS (3)  
SPACERS (3)  
INSTALLATION SHEET.

Cal-Royal Product reserves the right to, and may, on occasions, make changes and/or improvements in designs and dimensions without prior notice.